

3M™ Mini D Ribbon (MDR) Connectors

.050" IDC Wiremount Plug - Shielded

101 Series



- Wiper-on-wiper contact for reliable repetitive plugging
- MDR digital LCD interface as a 20 or 26 contact connector
- IEEE 1284C Interface as a 36 contact connector
- Accepts a wide variety of cable constructions including flat, round, twisted pair and twinax cables
- Accepts a wide variety of shielded junction shells
- Contacts: 12, 20, 26, 36, 40, 50, 68, 80 and 100
- RoHS* compliant

Date Modified: February 12, 2005

TS-0423-12
Sheet 1 of 3

Physical

Insulation

Material: Glass Reinforced Polyester (PBT)

Flammability: UL 94V-0

Color: Black

Contact

Material: Beryllium Copper (C172)

Plating

Underplating: 80 μ" (2.0 μm) Nickel - QQ-N-290, Class 2

Wiping Area: 30 μ" (0.76 μm) Gold - MIL-G-45204, Type II, Grade C

Shroud

Material: Steel

Plating: Nickel

Wire Accommodation: 28 AWG Stranded, 30 AWG Solid

Marking: 3M Logo & Part Number

Electrical

Current Rating: 1 A

Insulation Resistance: $> 1 \times 10^8 \Omega$ at 500 VDC

Withstanding Voltage: 500 VRMS for 1 Minute

Environmental

Temperature Rating: -20°C to +85°C

*RoHS = Directive 2002/95/EC,

Restriction of the Use of Certain Hazardous Substances in Electrical and Electronic Equipment

3M is a trademark of 3M Company.

For technical sales or ordering information call

UL File No.: E68080

PDF
File No.: E68080
3M

Interconnect Solutions

3M™ Mini D Ribbon (MDR) Connectors

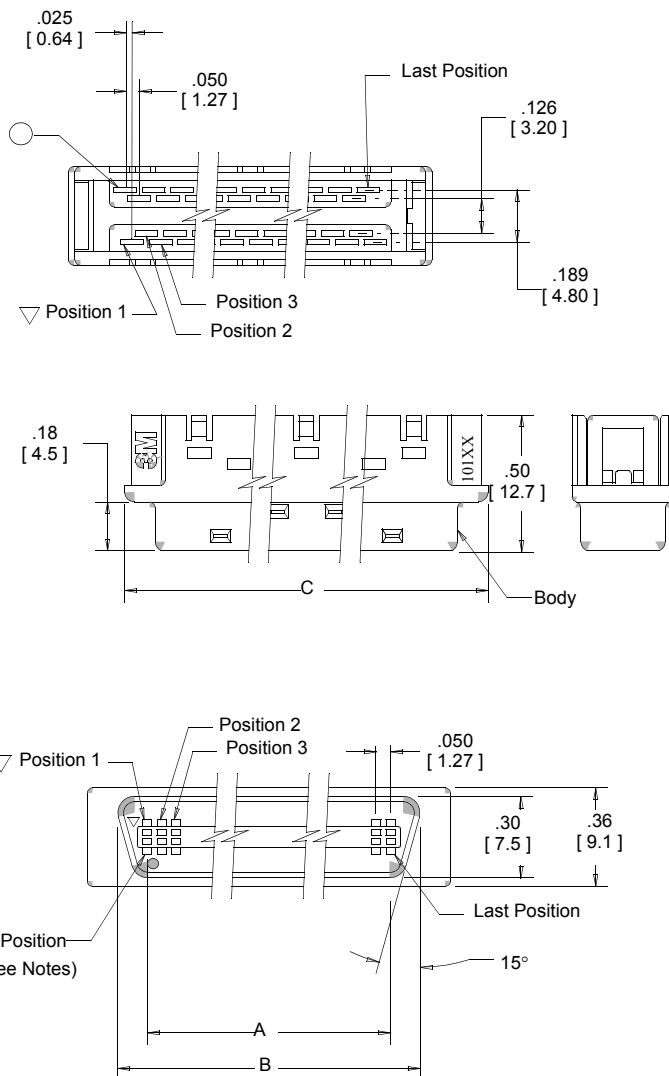
.050" IDC Wiremount Plug - Shielded

101 Series

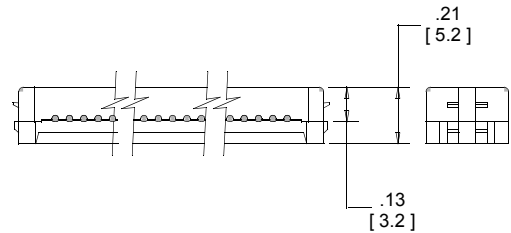
Contact Quantity	Dimensions			
	A	B	C	D
14	.300 [7.62]	.54 [13.8]	.72 [18.2]	.58 [14.7]
26	.600 [15.24]	.84 [21.4]	1.02 [25.8]	.88 [22.4]
50	1.200 [30.48]	1.44 [36.6]	1.62 [41.1]	1.48 [37.6]



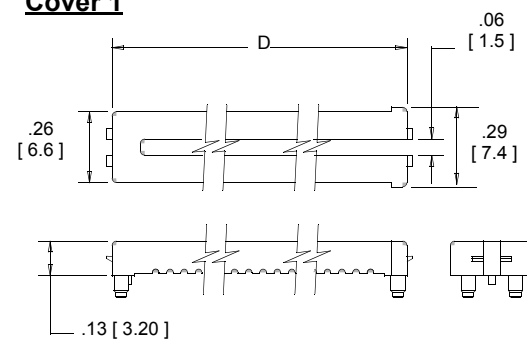
Body (14, 26 and 50 positions)



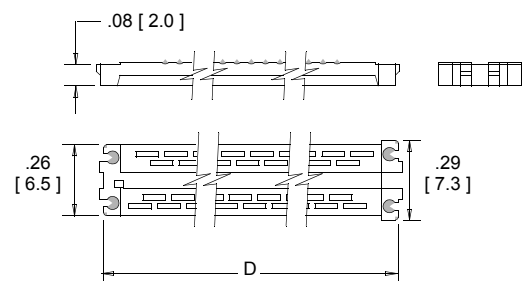
Cover Assembly



Cover 1



Cover 2



Inch
[mm]

Tolerance Unless Noted			
	.0	.00	.000
inch	±.1	±.01	±.005

[] Dimensions for Reference Only

Notes:

1. Circle (○) position indicates #1 position in cable, when utilizing 0.025" pitch flat cable.
2. Triangle (▽) position indicates #2 position in cable, when utilizing 0.025" pitch flat cable.

Ordering Information

101XX-6000EC

Contact Quantity
(See Table)

(See page 3 for other sizes and assembly tools.)

TS-0423-12
Sheet 2 of 3

3M™ Mini D Ribbon (MDR) Connectors

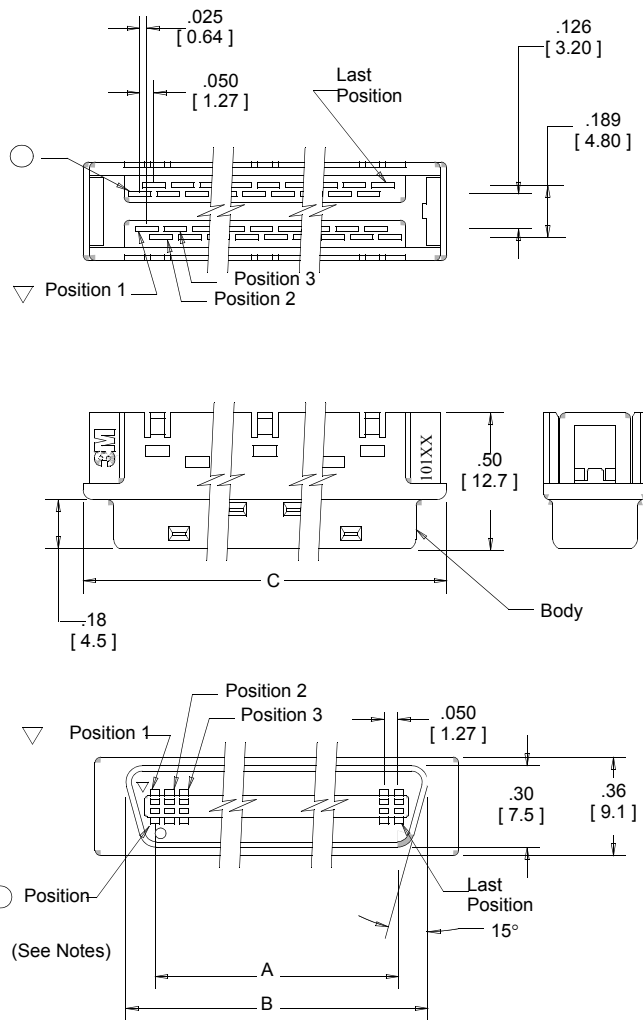
.050" IDC Wiremount Plug - Shielded

101 Series

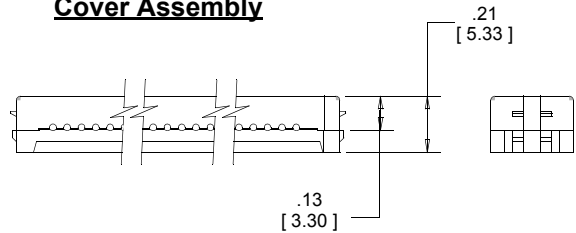
Contact Quantity	Dimensions			
	A	B	C	D
20	.450 [11.43]	.69 [17.6]	.87 [22.0]	.73 [18.6]
36	.850 [21.59]	1.09 [27.8]	1.27 [32.2]	1.13 [28.7]
40	.950 [24.13]	1.19 [30.3]	1.37 [34.7]	1.23 [31.3]
68	1.650 [41.91]	1.89 [48.1]	2.07 [52.5]	1.93 [49.0]
80	1.950 [49.53]	2.19 [54.8]	2.37 [60.1]	2.23 [56.7]
100	2.450 [62.23]	2.69 [67.5]	2.87 [72.8]	2.73 [69.4]



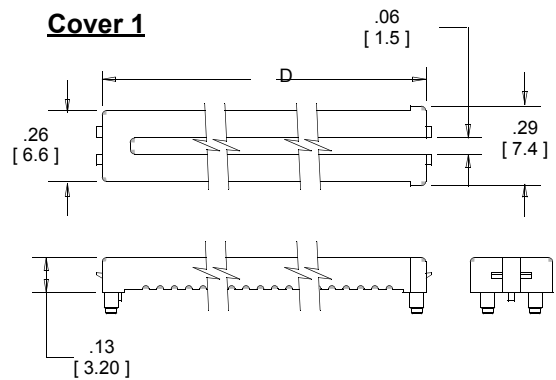
Body (20, 36, 40, 68, 80 and 100 positions)



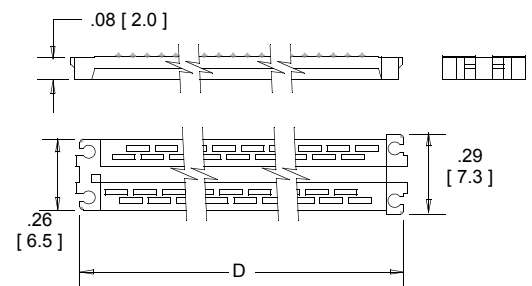
Cover Assembly



Cover 1



Cover 2



Inch
[mm]

Tolerance Unless Noted			
	.0	.00	.000
inch	±.1	±.01	±.005

[] Dimensions for Reference Only

Notes:

1. Circle (.) position indicates #1 position in cable, when utilizing 0.025" pitch flat cable.
2. Triangle (▽) position indicates #2 position in cable, when utilizing 0.025" pitch flat cable.

Ordering Information

101XX-6000EC

Contact Quantity
(See Table)

Note: 100 pos = A0

Assembly tools: 3829 hand press kit (68 position & below)
All sizes: 10960-2000 Assembly Press, 10962-2000 Lacing fixture, 10961 Cutting Unit, & 10964-1 wire clamp (14-50 pos) or 10964-2 wire clamp (68-100 pos).

TS-0423-12
Sheet 3 of 3

Important Notice

All statements, technical information, and recommendations related to 3M's products are based on information believed to be reliable, but the accuracy or completeness is not guaranteed. Before using this product, you must evaluate it and determine if it is suitable for your intended application. You assume all risks and liability associated with such use. Any statements related to the product which are not contained in 3M's current publications, or any contrary statements contained on your purchase order shall have no force or effect unless expressly agreed upon, in writing, by an authorized officer of 3M.

Warranty; Limited Remedy; Limited Liability.

This product will be free from defects in material and manufacture for a period of 1 year from the time of purchase. **3M MAKES NO OTHER WARRANTIES INCLUDING, BUT NOT LIMITED TO, ANY IMPLIED WARRANTY OF MERCHANTABILITY OR FITNESS FOR A PARTICULAR PURPOSE.** If this product is defective within the warranty period stated above, your exclusive remedy shall be, at 3M's option, to replace or repair the 3M product or refund the purchase price of the 3M product. **Except where prohibited by law, 3M will not be liable for any indirect, special, incidental or consequential loss or damage arising from this 3M product, regardless of the legal theory asserted.**



Electronic Solutions Division

6801 River Place Blvd.
Austin, TX 78726-9000



Minimum 10% recycled content

Printed in USA.

© 2005 3M