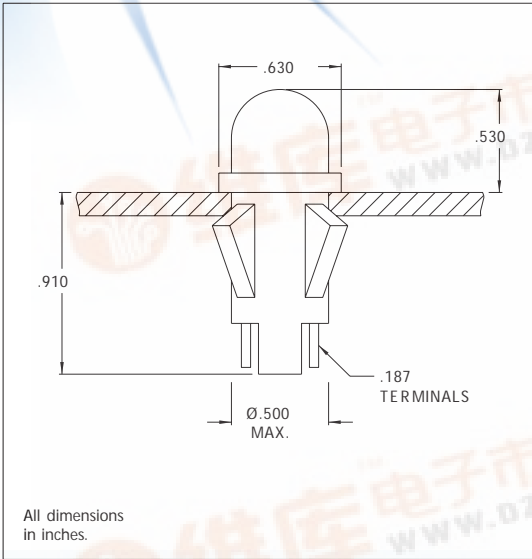




**1050QA, 1051QA, 1052QA and 1053QA Series Non-Relampable Neon Indicator Lights**

**DESCRIPTION AND FEATURES**



Mounting: Will snap-fit into Ø.500/.505 hole in panels .020/.100 thick. Push-on speednut SN0461 also available. Mounting hole pattern on page SP2.

Terminals: Quick-connect, tinned brass

Lens: Polycarbonate

Bezel: Polished stainless steel.  
For black finish add "X" after the series letter(s).

Housing: White Nylon

Lens Color	Incandescent	
	Model No. (105-125VAC)	Model No. (208-250V)
Red	1050QA1	1051QA1
Clear	1050QA2	-
Amber	1050QA3	1051QA3
White	1050QA4	1051QA4
Green	1052QA5*	1053QA5*
Blue	1052QA6**	1053QA6**
Lamp used	C 2A+R Resistor	
Quick Connect Terminals		

\* Incorporates G2B lamp and resistor.

\*\* Incorporates T2B lamp and resistor.

Underwriters Laboratories (UL) File No. E20325

Canadian Standards Association (CSA) File No. LR13346



America:  
CML Innovative Technologies, Inc.  
147 Central Avenue  
Hackensack, NJ 07601 -USA  
Tel: 1-201-489-8989  
Fax: 1-201-489-6911  
e-mail: americas@cml-it.com

Europe:  
CML Technologies GmbH & Co.KG  
Robert-Bunsen-Str.1  
67098 Bad Dürkheim -GERMANY  
Tel: +49 (0)6322 9567-0  
Fax: +49 (0)6322 9567-88  
e-mail: europe@cml-it.com

Asia:  
CML Innovative Technologies, Inc.  
61 Aida Street  
Singapore 459975  
Tel: (65)9630-5003  
e-mail: asia@cml-it.com