

Hybrid Couplers
3 dB, 90°

Applications

- Balanced Mixers
- Antenna Feed Networks
- Phasing Networks
- Dividers/Combiners

Features

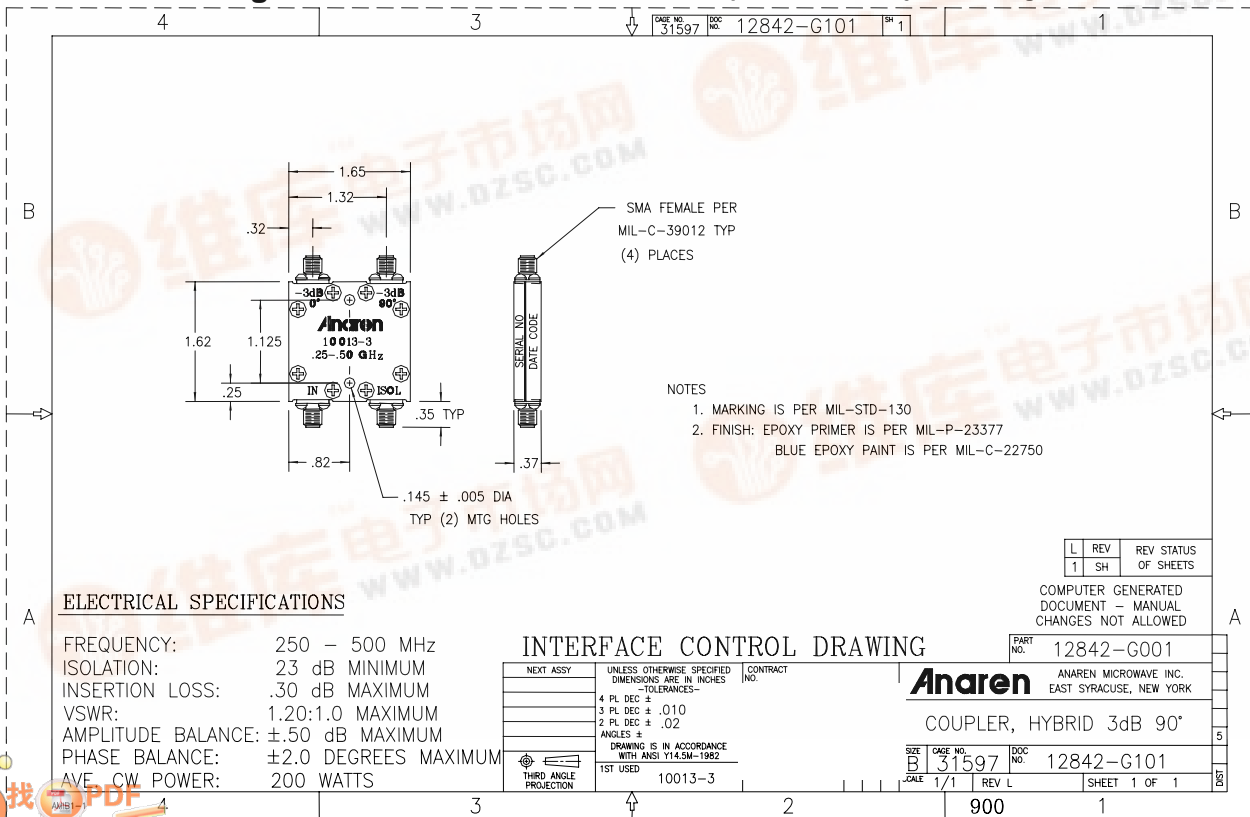
- Military Grade
- 0.25 – 0.5 GHz
- 2-Way power Split
- Quadrature
- Connectors Per MIL-C-39012
- Rugged Aluminum Housing
- Low VSWR
- Meets MIL-E-5400 Class 3 Requirements



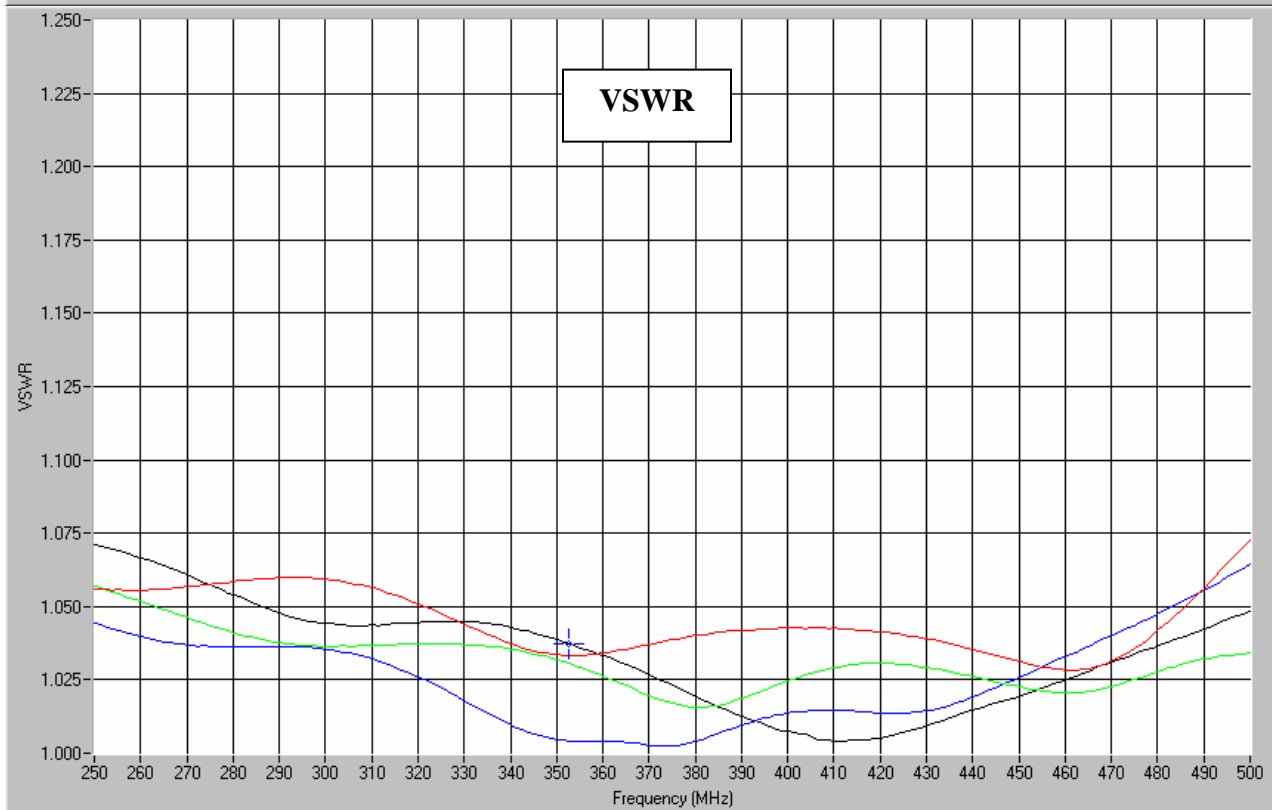
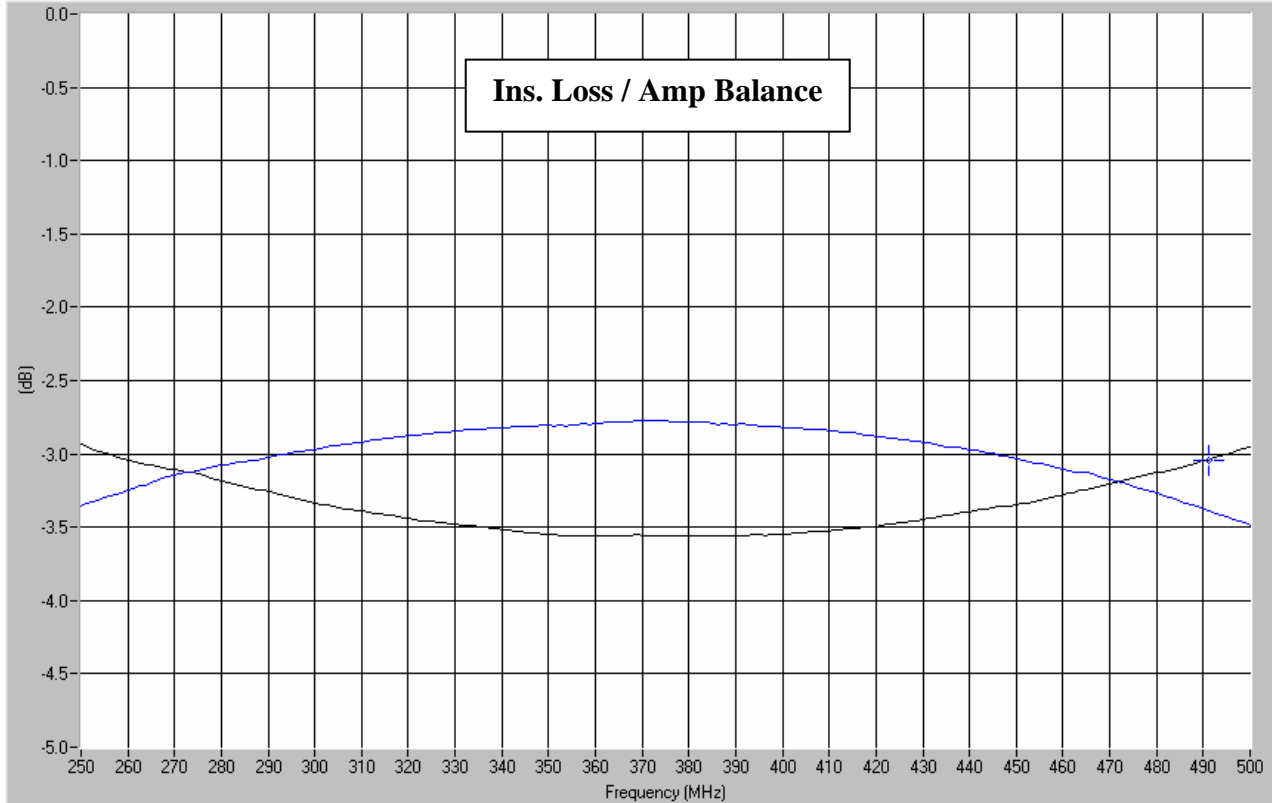
Aluminum Cased Connectorized Components

Outline Drawing

Electrical and Mechanical Specifications subject to change without notice.



Typical Test Data Plots



Typical Test Data Plots

