

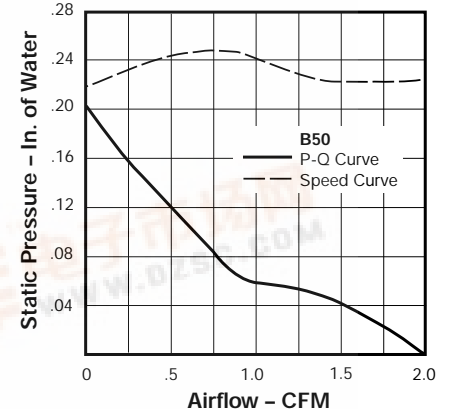
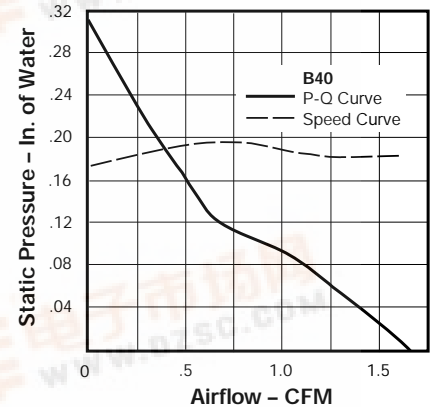
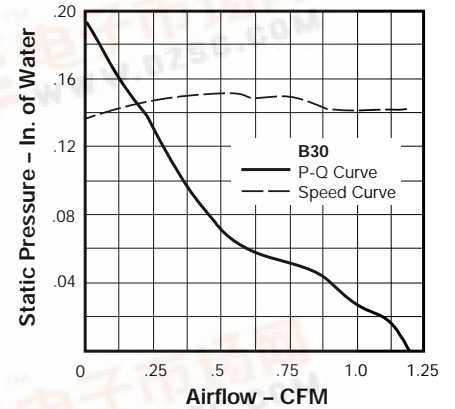
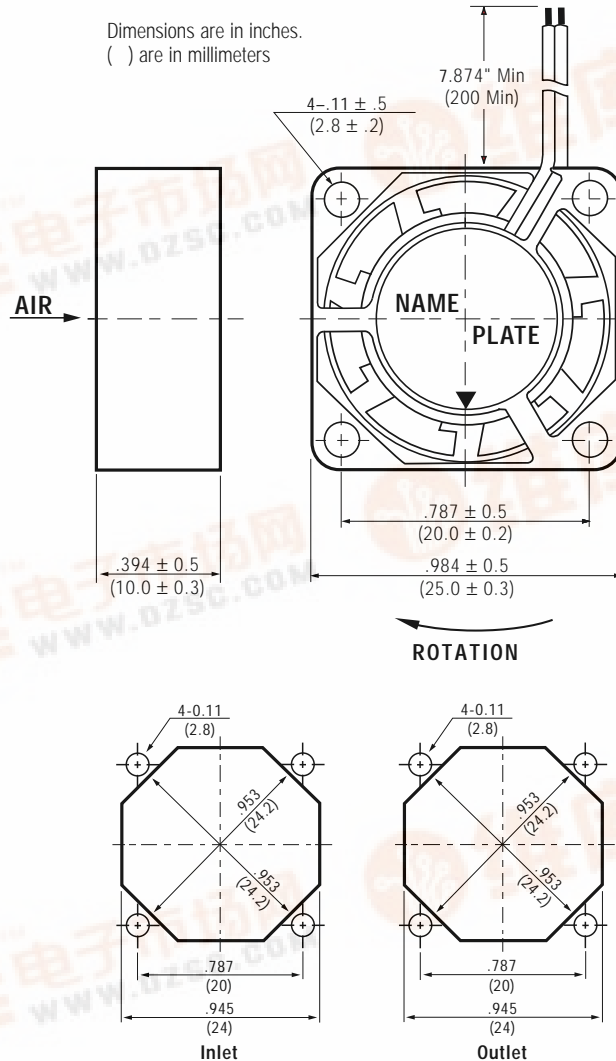
# Axial Fans



Shown Actual Size

### Features / Benefits

- Size: .984 in sq. x .394 in (25mm sq. X 10mm)
- Low Noise Levels: 20-25 dB(A)
- Low Weight: 0.263oz (7.5g)
- Long life and quiet operation guaranteed by dual ball bearing design
- Temperature range: -10°C to +70°C (operating range)
- Meets UL/CSA, VDE, CE requirements
- Airflow: 1.2-2.0 CFM
- Lead Wires: AWG 26, Red/Black/UL1061
- Applications: Pentium™ Class Notebooks, Set Top Boxes, Docking Stations, and Telephone Packs



| MODEL NUMBER       | VOLTAGE (V) | POWER (W) | CURRENT (mA) | SPEED (RPM) | NOISE (dBA) | PRESSURE (in H <sub>2</sub> O) | AIRFLOW (CFM) |
|--------------------|-------------|-----------|--------------|-------------|-------------|--------------------------------|---------------|
| 1004KL-01W-B30-L00 | 5           | 0.325     | 65           | 7000        | 20.0        | 0.078                          | 1.2           |
| 1004KL-01W-B40-L00 | 5           | 0.425     | 85           | 9000        | 22.0        | 0.127                          | 1.62          |
| 1004KL-01W-B50-L00 | 5           | 0.625     | 125          | 11000       | 25.0        | 0.203                          | 2.01          |
| 1004KL-04W-B30-L00 | 12          | 0.42      | 35           | 7000        | 20.0        | 0.078                          | 1.2           |
| 1004KL-04W-B40-L00 | 12          | 0.54      | 45           | 9000        | 22.0        | 0.127                          | 1.62          |
| 1004KL-04W-B50-L00 | 12          | 0.72      | 60           | 11000       | 25.0        | 0.203                          | 2.01          |

