

2N6328 (#23552)

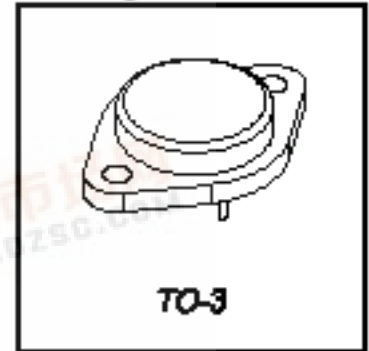
[查询2N6328供应商](#)

[捷多邦, 专业PCB打样工厂, 24小时加急出货](#)

NPN Transistor

Division	Lawrence	Datasheet	(none)
Mil-Spec	(none)		
Shipping	(none)	Qual Data	(none)

Package

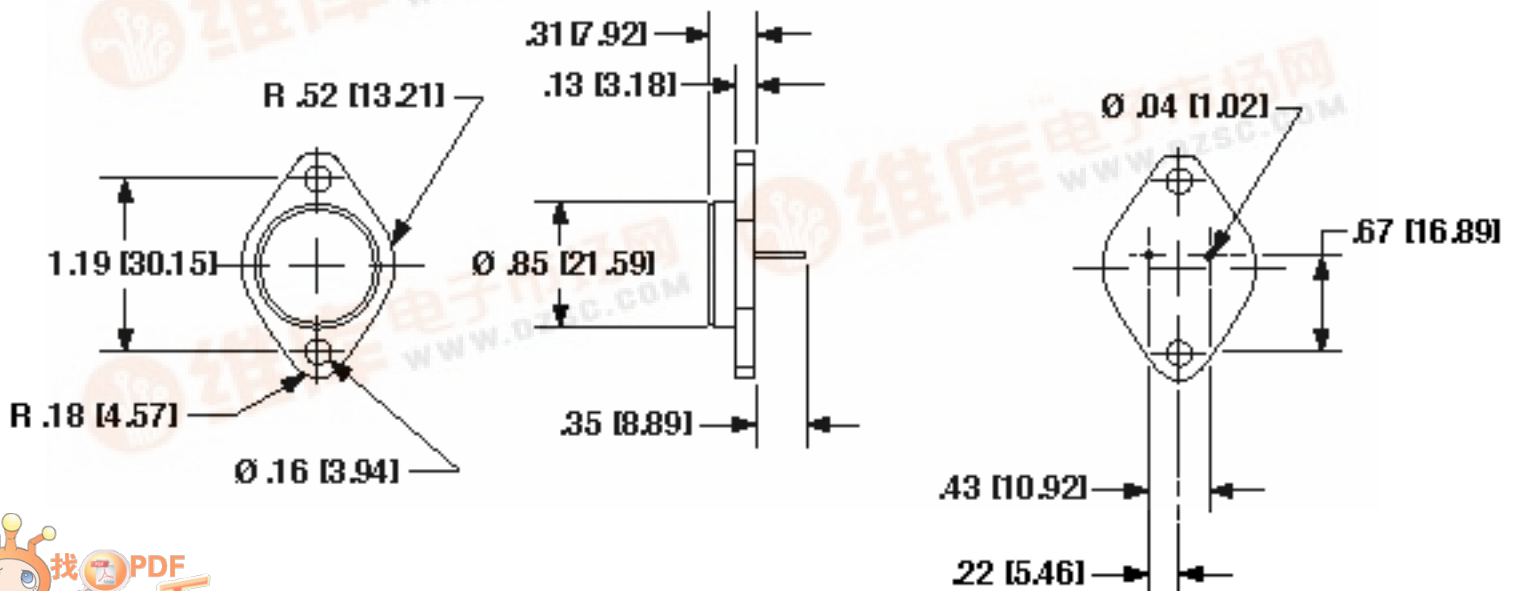


Absolute Maximum Ratings	Symbol	Max	Unit
Power Dissipation	Power	200	W
Collector Current	I_C	30	A
Breakdown Voltage Collector-to-Base	$B_{V(CBO)}$	100	V
Voltage Collector to Emitter Open	V_{CEO}	100	V
Voltage Emitter to Base Open	BV_{EBO}	5	V

Electrical Characteristics	Symbol	Min	Typ	Max	Unit
Collector Emitter Saturation Voltage ($I_B=1.5\text{ mA}$, $I_C=30\text{ mA}$, $T_A=25\text{ }^\circ\text{C}$, 300 μs pulse)	$V_{CE(sat)}$			1.5	V
DC Current Gain ($I_C=30\text{ mA}$, $T_A=25\text{ }^\circ\text{C}$, 300 μs pulse)	HFE	6		30	

TO-3

Microsemi



ALL DIMENSIONS SHOWN ARE TYPICAL VALUES

NOTE: DIMENSIONS IN INCHES [MM]