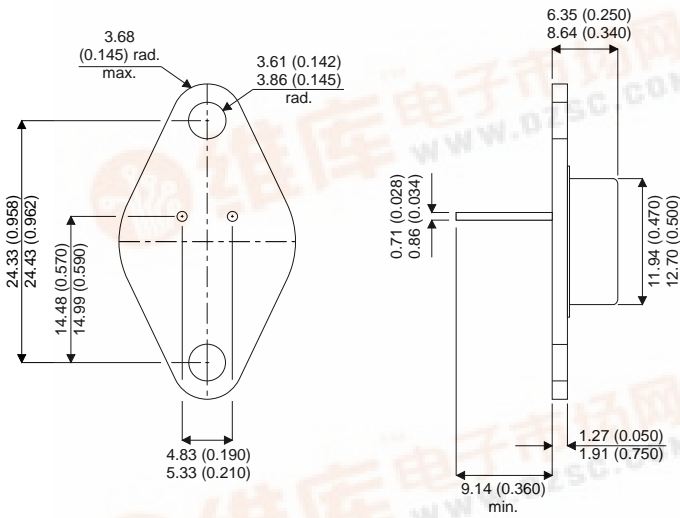


2N6295

MECHANICAL DATA

Dimensions in mm(inches)



TO-66

PIN 1 — Base PIN 2 — Emitter Case is Collector.

DARLINGTON COMPLEMENTARY SILICON POWER TRANSISTOR

FEATURES

- **LOW_{CE(SAT)}**
- **HIGH CURRENT**

APPLICATIONS

- **GENERAL PURPOSE AMPLIFIER**
- **LOW FREQUENCY SWITCHING**
- **HAMMER DRIVER APPLICATIONS**

ABSOLUTE MAXIMUM RATINGS (T_{case} = 25°C unless otherwise stated)

V _{CEO}	Collector – Emitter Voltage	80V
V _{CB}	Collector – Base Voltage	80V
V _{EB}	Emitter – Base Voltage	5V
I _C	Collector Current – Continuous	4A
	Peak	8A
I _B	Base Current	80mA
P _D	Total Power Dissipation at T _{case} = 25°C	50W
	Derate above 25°C	0.286 W/°C
T _j , T _{stg}	Operating and Storage Junction Temperature Range	-65 to 200°C

THERMAL CHARACTERISTICS

θ _{JC}	Thermal Resistance, Junction to Case	3.5 °C/W
-----------------	--------------------------------------	----------



ELECTRICAL CHARACTERISTICS ($T_{case} = 25^{\circ}C$ unless otherwise stated)

Parameter	Test Conditions	Min.	Typ.	Max.	Unit
OFF CHARACTERISTICS					
$V_{CEO(sus)}$ Collector - Emitter Sustaining Voltage	$I_C = 50mA$ $I_B = 0$	80			V
I_{CEO} Collector Cut-off Current	$I_B = 0$ $V_{CE} = 40V$	0.5			mA
I_{CEX} Collector - Emitter Cut-off Current	$V_{CE} = \text{Rated } V_{CB}$ $V_{EB(off)} = 1.5V$ $T_c = 150^{\circ}C$			0.5	mA
				5.0	
I_{EBO} Emitter Cut-off Current	$I_C = 0$ $V_{BE} = 5V$			2.0	mA
ON CHARACTERISTICS					
h_{FE} DC Current Gain	$I_C = 2A$ $V_{CE} = 3V$	750		18000	—
	$I_C = 4A$ $V_{CE} = 3V$	100			
$V_{CE(sat)}$ Collector - Emitter Saturation Voltage	$I_C = 2A$ $I_B = 8.0mA$			2.0	V
	$I_C = 4A$ $I_B = 40mA$			3.0	
$V_{BE(sat)}$ Base - Emitter Saturation Voltage	$I_C = 4A$ $I_B = 40mA$			4.0	V
$V_{BE(on)}$ Base - Emitter On Voltage	$I_C = 2A$ $V_{CE} = 3V$			2.8	V
DYNAMIC CHARACTERISTICS					
$ h_{fe} $ Magnitude of Common Emitter Small Signal Short Circuit Forward current Transfer Ratio	$I_C = 1.5A$ $f = 1.0 \text{ MHz}$	$V_{CE} = 3V$	4.0		—
C_{ob} Output Capacitance	$V_{CB} = 10V$ $f = 0.1 \text{ MHz}$	$I_E = 0$		120	pF
h_{fe} Small Signal Current Gain	$I_C = 1.5A$ $f = 1.0 \text{ KHz}$	$V_{CE} = 3.0V$	300		—

*Pulse test $t_p = 300\mu s$ $\delta \leq 2\%$