

2SC2271



2006A

NPN Triple Diffused Planar Silicon Transistor

T-31-23

Chroma Output, Horizontal Deflection Driver Applications

©493E

Small-sized color TV chroma use and B/W TV, color TV horizontal deflection driver use.

Absolute Maximum Ratings at Ta=25°C

Parameter	Symbol	Value	Unit
Collector to Base Voltage	V _{CB0}	300	V
Collector to Emitter Voltage	V _{CE0}	300	V
Emitter to Base Voltage	V _{EB0}	6	V
Collector Current	I _C	100	mA
Peak Collector Current	i _{cp}	300	mA
Collector Dissipation	P _C	900	mW
Junction Temperature	T _j	150	°C
Storage Temperature	T _{stg}	-55 to +150	°C

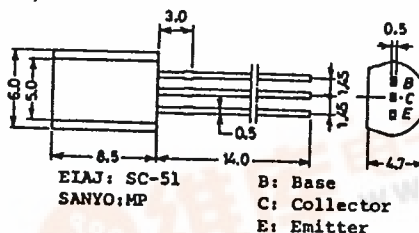
Electrical Characteristics at Ta=25°C

Parameter	Symbol	Conditions	min	typ	max	unit
Collector Cut Off Current	I _{CB0}	V _{CB} =200V, I _E =0			1.0	uA
Emitter Cut Off Current	I _{EB0}	V _{EB} =6V, I _C =0			1.0	uA
DC Current Gain	h _{FE}	V _{CE} =10V, I _C =10mA	40*		200*	
Gain Band Width Product	f _T	V _{CE} =30V, I _C =10mA	50			MHz
Output Capacitance	c _{ob}	V _{CB} =10V, f=1MHz			7.5	pF
C-E Saturation Voltage	V _{CE(sat)}	I _C =20mA, I _B =2mA			0.6	V
B-E Saturation Voltage	V _{BE(sat)}				1.0	V

* The 2SC2271 is classified by 10mA h_{FE} as follows.

40	C	80	60	D	120	100	E	200
----	---	----	----	---	-----	-----	---	-----

Case Outline 2006A (unit:mm)

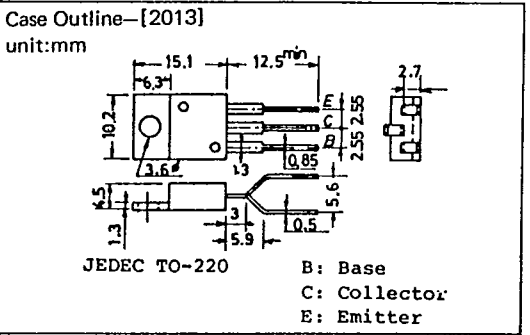
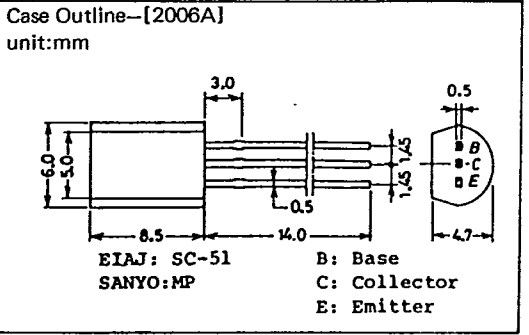
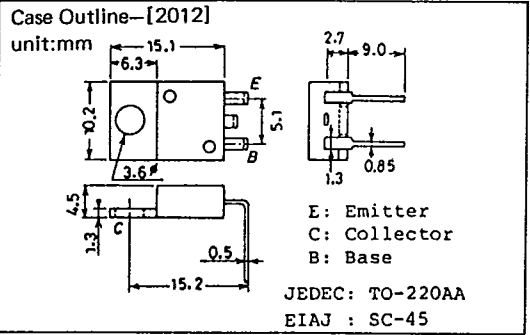
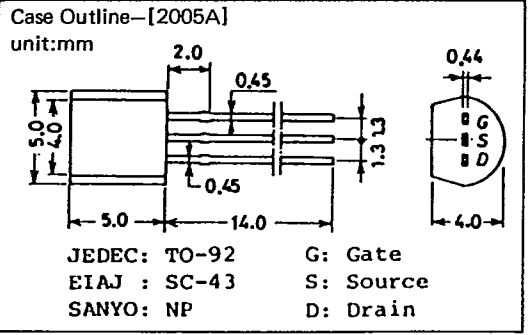
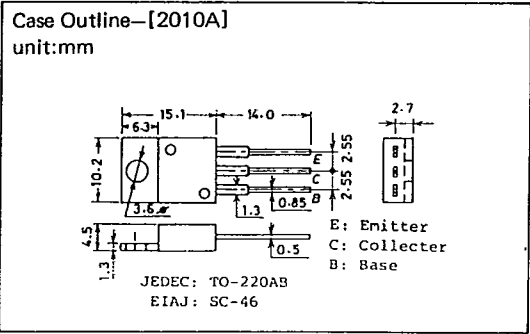
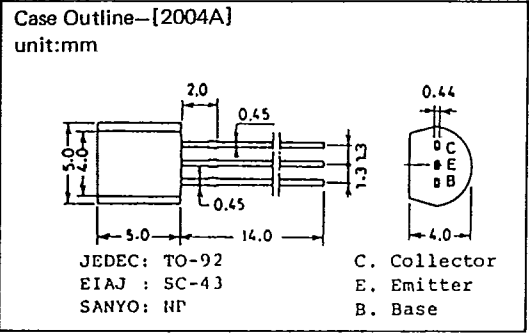
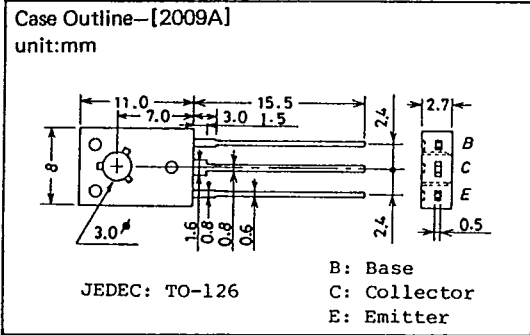
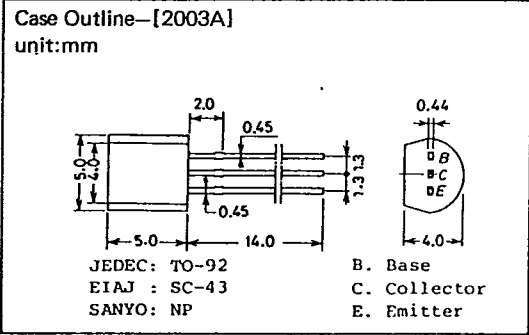


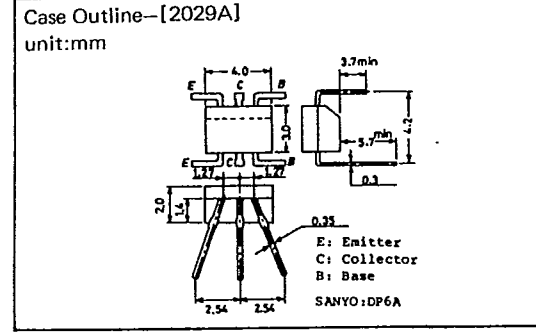
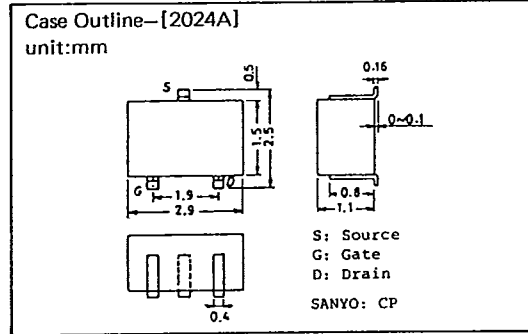
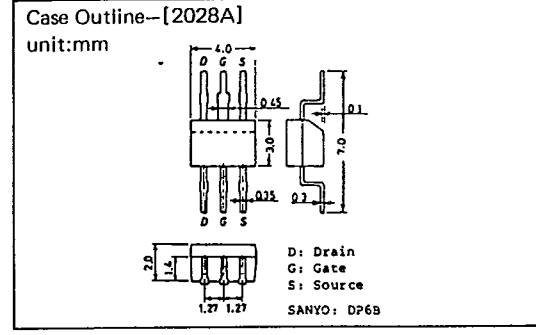
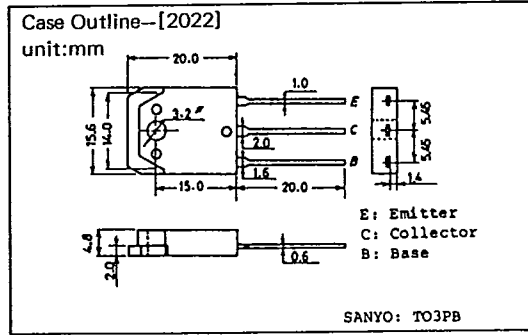
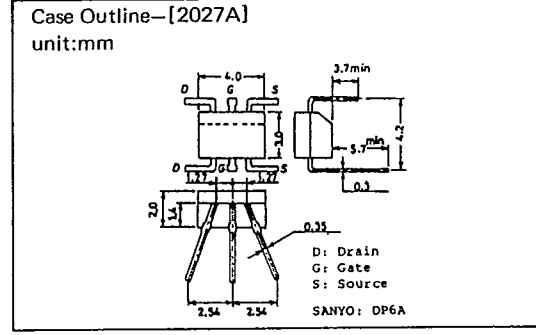
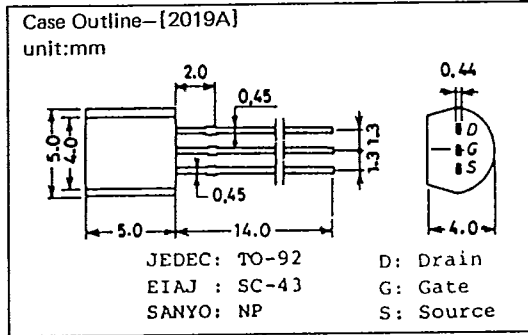
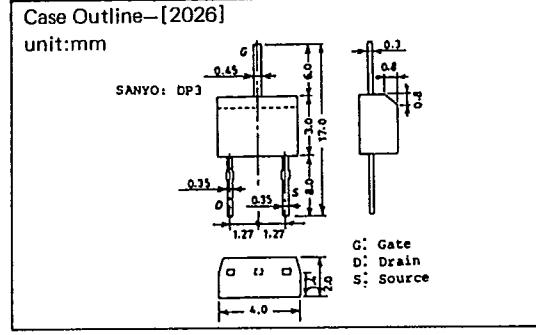
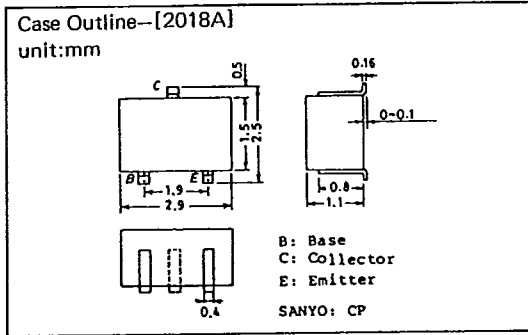
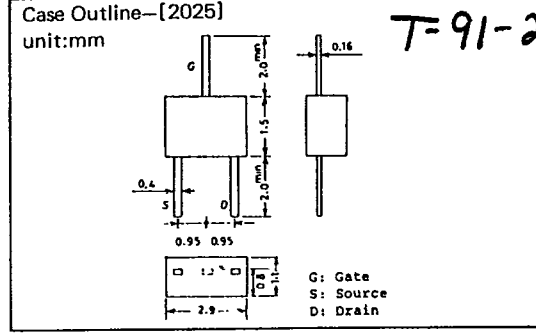
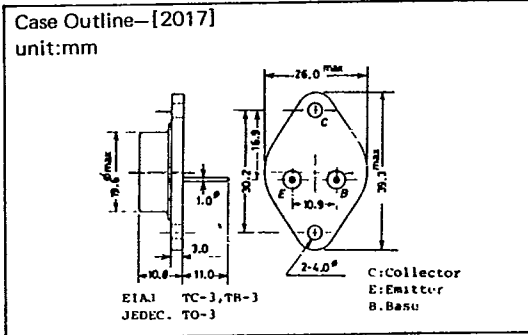
The 2SC2271 is scheduled to be discontinued soon. Use the 2SC3468, instead of the 2SC2271, in new applications where you are planning to use the 2SC2271.

T-91-20

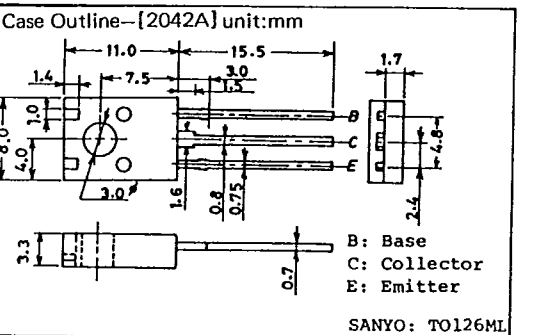
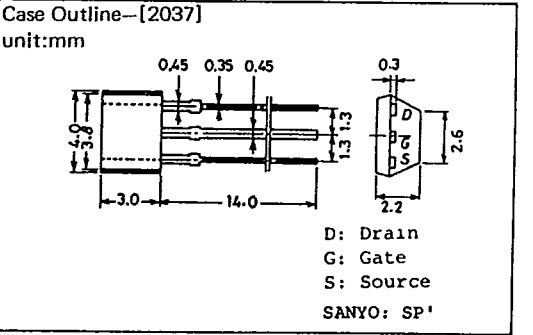
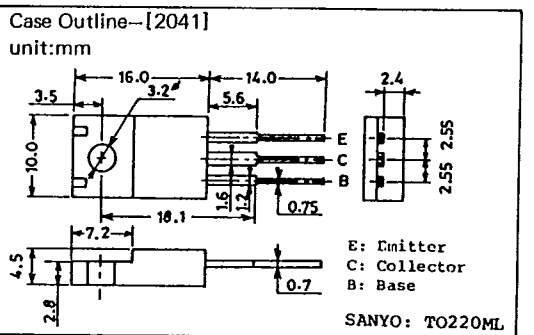
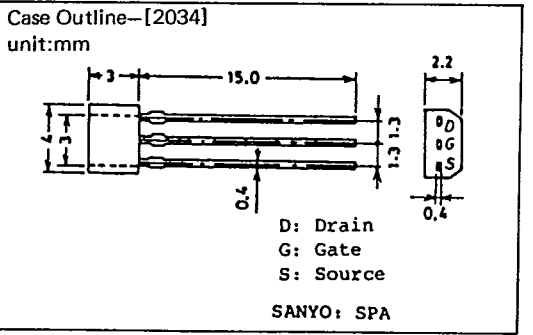
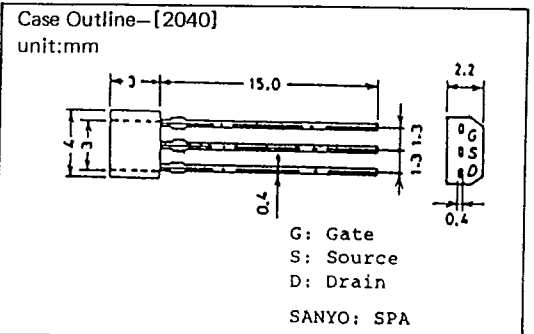
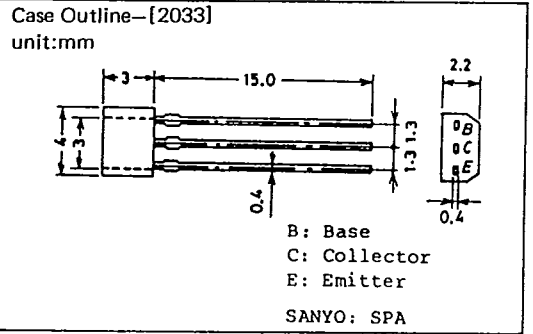
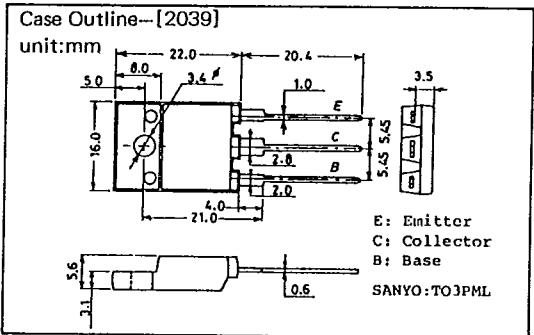
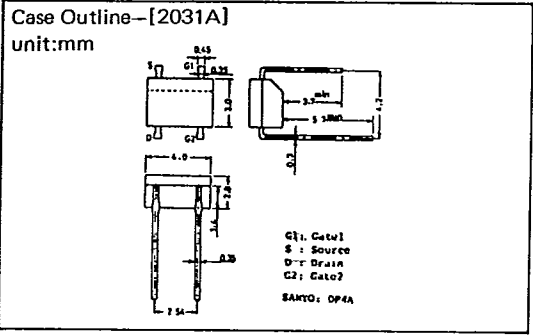
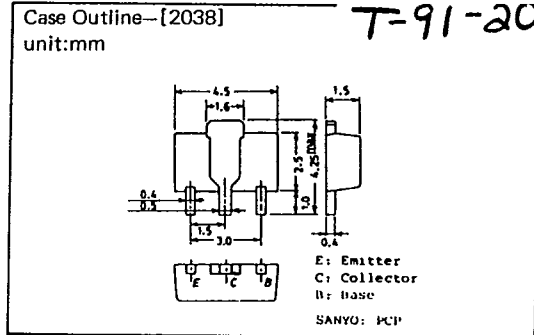
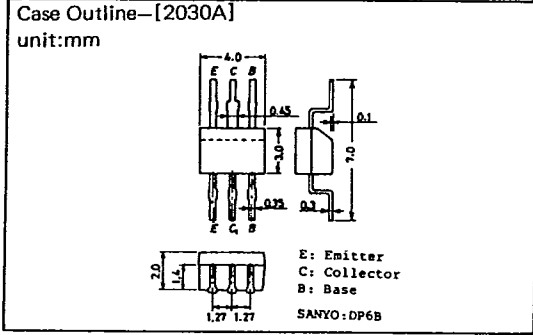
CASE OUTLINES AND ATTACHMENTS

- All of Sanyo Transistor case outlines are illustrated below.
- All dimensions are in mm, and dimensions which are not followed by min. or max. are represented by typical values.
- No marking is indicated.

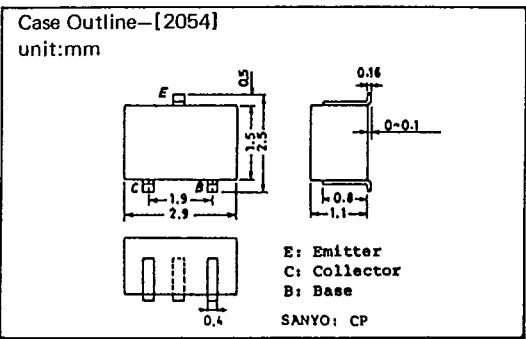
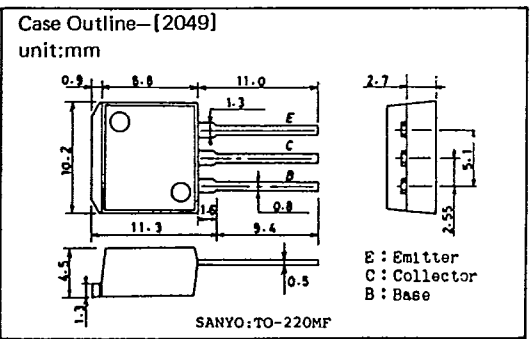
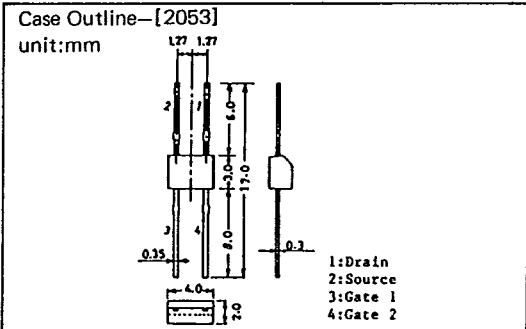
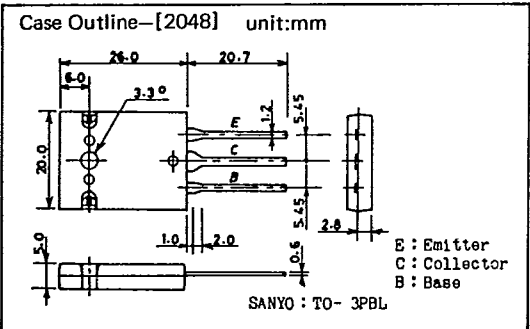
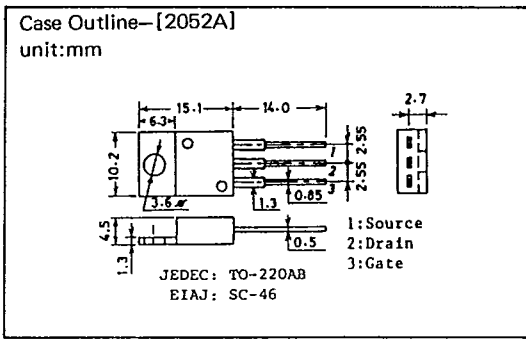
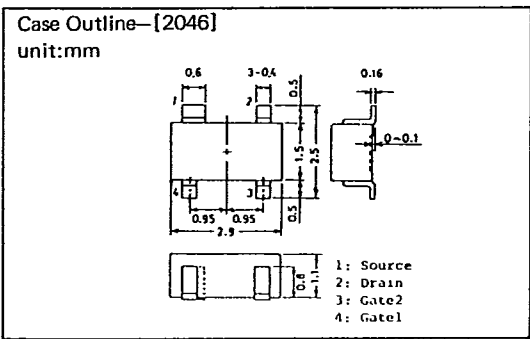
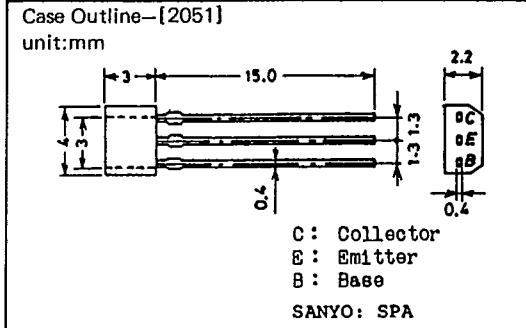
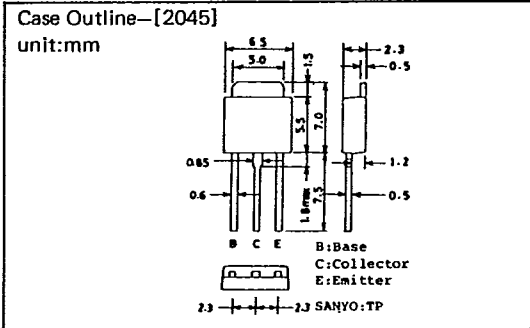
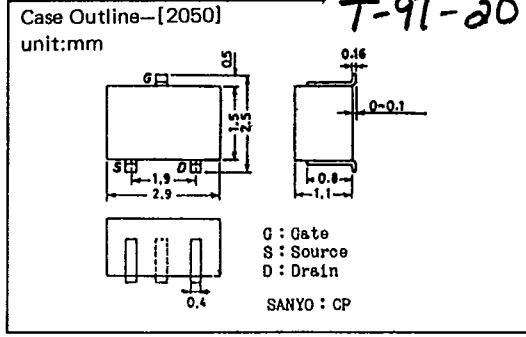
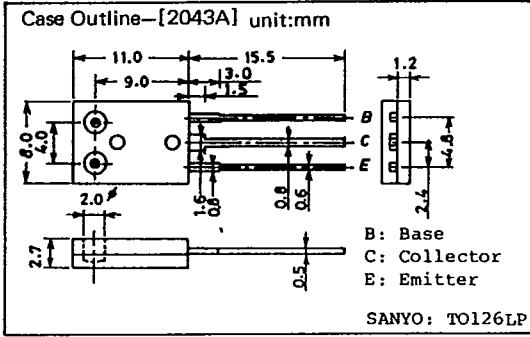


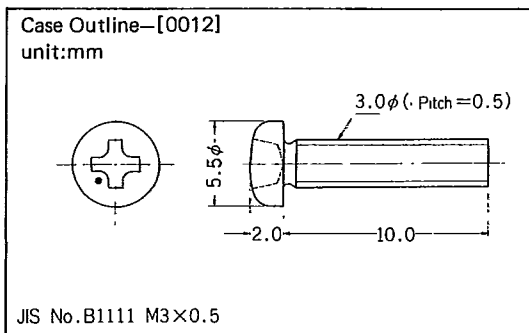
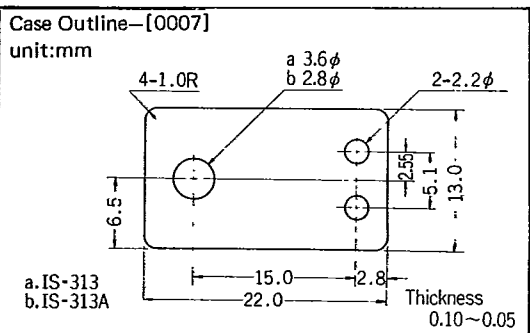
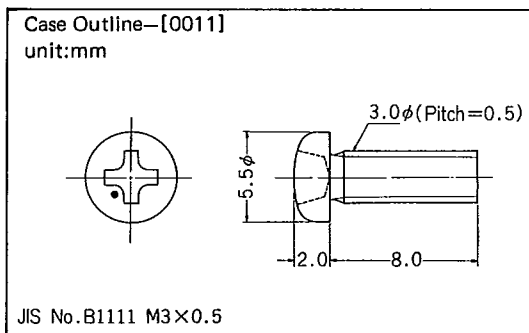
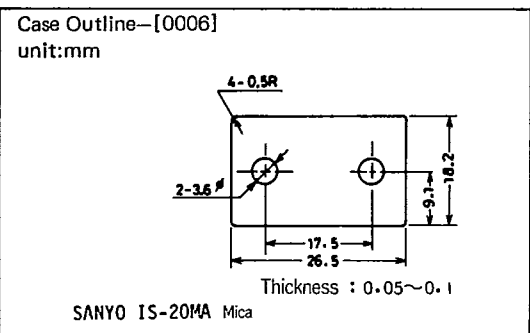
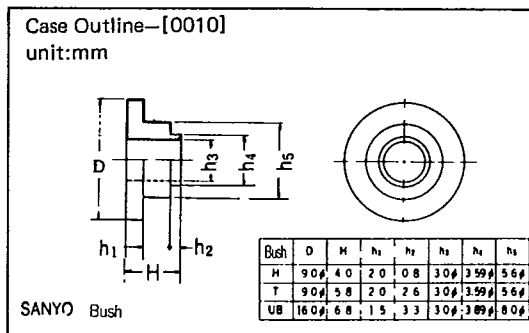
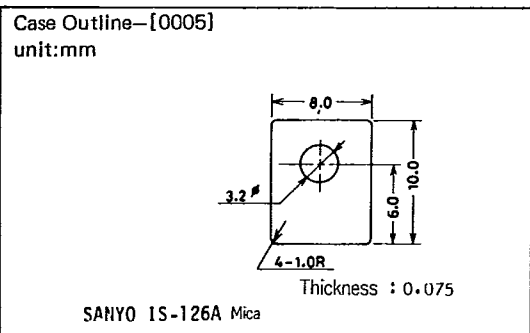
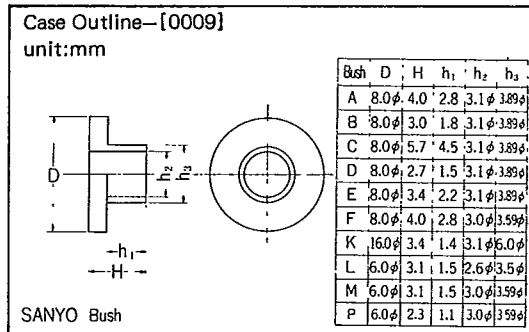
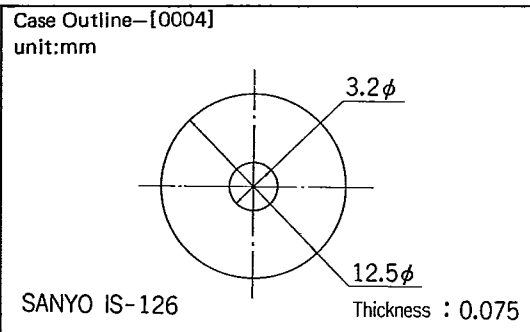
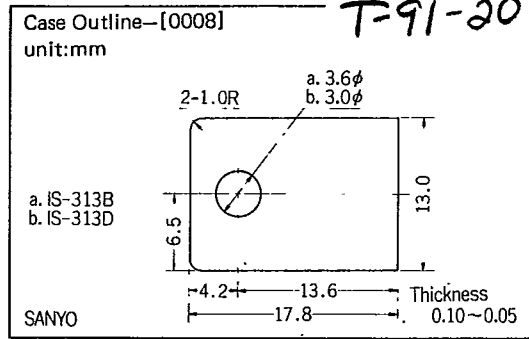
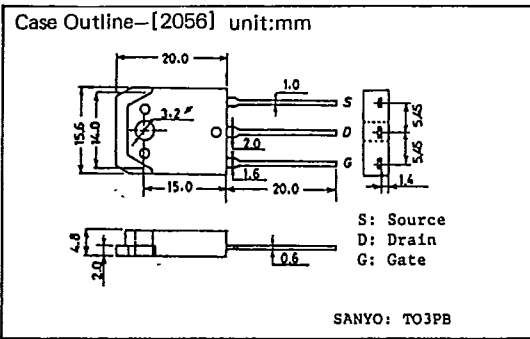


T-91-20

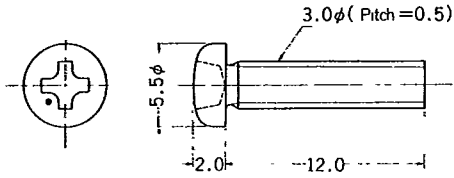


T-91-20



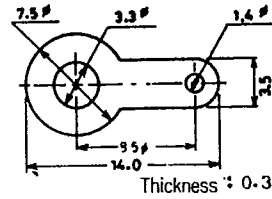


Case Outline-[0013]
unit:mm



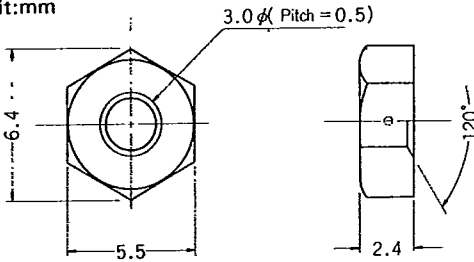
JIS No. B1111 M3×0.5

Case Outline-[0018]
unit:mm



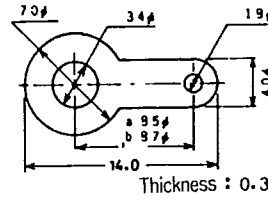
SANYO Lug 1.4

Case Outline-[0014]
unit:mm



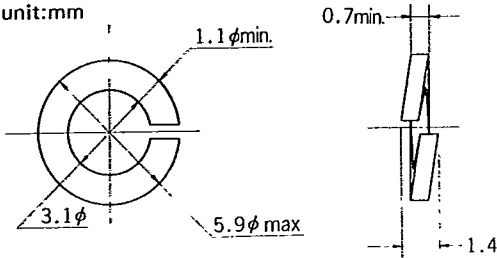
JIS No. B1181 M3×0.5

Case Outline-[0019]
unit:mm



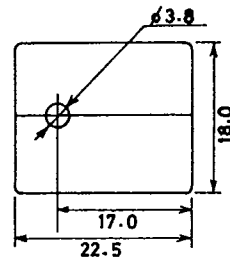
SANYO Lug 1.8φ

Case Outline-[0015]
unit:mm



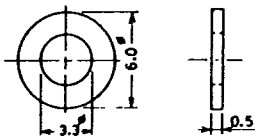
JIS No. B 1251 Spring washer (M3)

Case Outline-[0020]
unit:mm



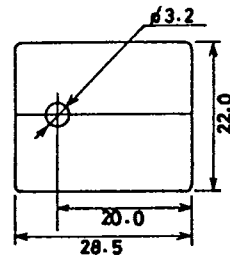
SANYO IS-3MP Mica

Case Outline-[0016]
unit:mm



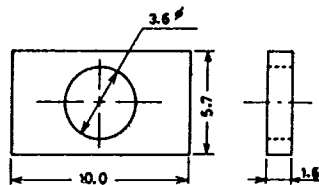
JIS No. B1252 Flat washer

Case Outline-[0021]
unit:mm



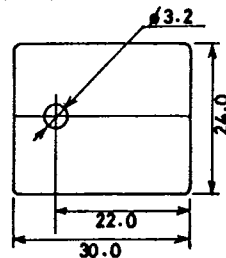
SANYO IS-MPC Mica

Case Outline-[0017]
unit:mm



JIS No. G3141 Rectangular washer

Case Outline-[0022]
unit:mm



SANYO IS-3PBL Mica