

查询2SK867供应商

捷多邦, 专业PCB打样工厂, 24小时加急出货

# 2SK867, 2SK867A

## Silicon N-channel Power F-MOS FET

### ■ Features

- Low ON resistance  $R_{DS(on)}$  :  $R_{DS(on)} = 0.3\Omega$  (typ.)
- High switching rate :  $t_f = 120\text{ns}$  (typ.)
- No secondary breakdown
- High breakdown voltage, large power

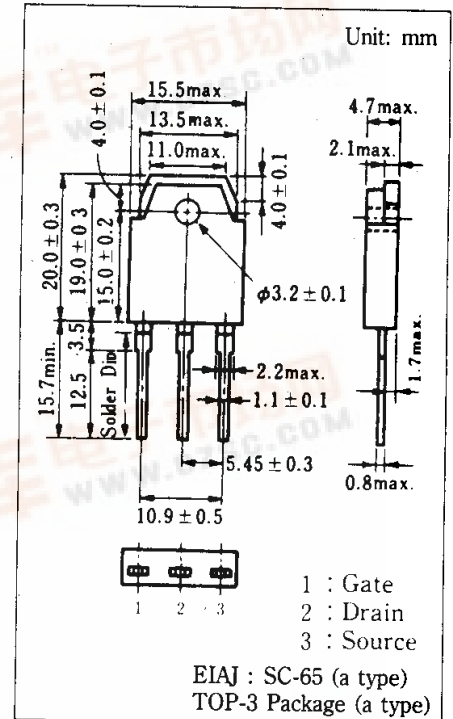
### ■ Application

- No contact relay
- Solenoid drive
- Motor drive
- Control equipment
- Switching power source

### ■ Absolute Maximum Ratings ( $T_c = 25^\circ\text{C}$ )

Item	Symbol	Value	Unit
Drain-source voltage	2SK867	400	V
	2SK867A	450	
Gate-source voltage	$V_{GSS}$	$\pm 20$	V
Drain current	DC	15	A
	Peak-to-peak value	30	
Power dissipation	$T_c = 25^\circ\text{C}$	120	W
	$T_a = 25^\circ\text{C}$	2.5	
Channel temperature	$T_{ch}$	150	$^\circ\text{C}$
Storage temperature	$T_{stg}$	$-55 \sim +150$	$^\circ\text{C}$

### ■ Package Dimensions



### ■ Electrical Characteristics ( $T_c = 25^\circ\text{C}$ )

Item	Symbol	Condition	min.	typ.	max.	Unit
Drain current	$I_{DSS}$	$V_{DS} = 320\text{V}, V_{GS} = 0$			0.1	mA
Gate-source current	$I_{GSS}$	$V_{GS} = \pm 20\text{V}, V_{DS} = 0$			$\pm 1$	$\mu\text{A}$
Drain-source voltage	$V_{DSS}$	$I_D = 1\text{mA}, V_{GS} = 0$	400			V
			450			
Gate threshold voltage	$V_{th}$	$V_{DS} = 25\text{V}, I_D = 1\text{mA}$	1		5	V
Drain-source ON resistance	$R_{DS(on)}$	$V_{GS} = 10\text{V}, I_D = 8\text{A}$		0.3	0.45	$\Omega$
Forward transfer admittance	$ Y_{fs} $	$V_{DS} = 25\text{V}, I_D = 8\text{A}$	5.0	8.0		S
Input capacitance	$C_{iss}$	$V_{DS} = 20\text{V}, V_{GS} = 0, f = 1\text{MHz}$		1550		pF
Output capacitance	$C_{oss}$			300		pF
Reverse transfer capacitance	$C_{rss}$			145		pF
Turn-on time	$t_{on}$	$V_{GS} = 10\text{V}, I_D = 8\text{A}$ $V_{DD} = 150\text{V}, R_L = 19\Omega$		120		ns
Fall time	$t_f$			120		ns
Delay time	$t_d(\text{off})$			340		ns