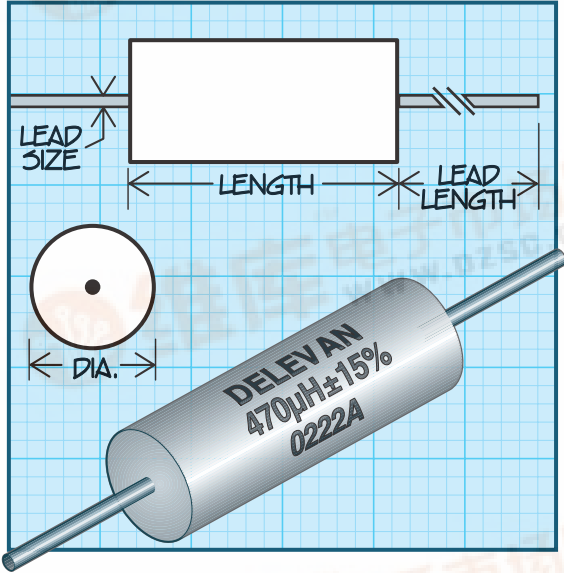


Series 2474

Axial Lead Power Inductors



Mechanical Configuration Units are axial leaded for thru-hole mounting, encapsulated in an epoxy molded case. High resistivity ferrite core, allows for high inductance with low DC resistance.

Physical Parameters

	Inches	Millimeters
Length	0.740 ± 0.010	18.80 ± 0.25
Diameter	0.240 ± 0.010	6.10 ± 0.25
Lead Size		
AWG #20 TCW	0.032 ± 0.002	0.813 ± 0.051
Lead Length	1.44 ± 0.12	36.58 ± 3.05

Operating Temperature Range -55°C to +125°C

Current Rating 40°C Rise over 85°C Ambient

Maximum Power Dissipation at 85°C .50 W

Inductance Measured at 1 V with no DC current

Incremental Current The current at which the inductance will be decreased by a maximum of 5% from its initial zero DC value.

Weight Max. (Grams) 2.5

Packaging Tape & reel: 12" reel, 1000 pieces max.; 14" reel, 1500 pieces max. For additional packaging options, see page 146.

Made in the U.S.A.

PART NUMBER	INDUCTANCE @ 1 KHZ (µH) ± 15%	DC RESISTANCE MAXIMUM (OHMS)	CURRENT RATING MAXIMUM (Amps)	INCREMENTAL CURRENT (Amps)
-------------	----------------------------------	---------------------------------	----------------------------------	-------------------------------

SERIES 2474 FERRITE CORE				
2474-01L	1.0	0.009	6.27	6.4
2474-02L	1.2	0.010	5.95	5.8
2474-03L	1.5	0.011	5.67	5.2
2474-04L	1.8	0.012	5.43	4.8
2474-05L	2.2	0.013	5.22	4.3
2474-06L	2.7	0.014	5.03	3.9
2474-07L	3.3	0.016	4.70	3.5
2474-08L	3.9	0.017	4.56	3.2
2474-09L	4.7	0.022	4.01	2.9
2474-10L	5.6	0.024	3.84	2.7
2474-11L	6.8	0.026	3.69	2.5
2474-12L	8.2	0.028	3.55	2.2
2474-13L	10.0	0.033	3.27	2.0
2474-14L	12.0	0.037	3.09	1.8
2474-15L	15.0	0.040	2.97	1.6
2474-16L	18.0	0.044	2.84	1.5
2474-17L	22.0	0.050	2.66	1.4
2474-18L	27.0	0.070	2.25	1.2
2474-19L	33.0	0.075	2.17	1.1
2474-20L	39.0	0.084	2.05	1.0
2474-21L	47.0	0.104	1.84	0.93
2474-22L	56.0	0.130	1.65	0.85
2474-23L	68.0	0.145	1.56	0.77
2474-24L	82.0	0.152	1.53	0.71
2474-25L	100.0	0.208	1.30	0.64
2474-26L	120.0	0.283	1.12	0.58
2474-27L	150.0	0.330	1.04	0.52
2474-28L	180.0	0.362	0.99	0.48
2474-29L	220.0	0.505	0.84	0.43
2474-30L	270.0	0.557	0.80	0.39
2474-31L	330.0	0.650	0.74	0.35
2474-32L	390.0	0.770	0.68	0.32
2474-33L	470.0	1.03	0.59	0.29
2474-34L	560.0	1.14	0.56	0.27
2474-35L	680.0	1.50	0.49	0.25
2474-36L	820.0	1.98	0.42	0.22
2474-37L	1000.0	2.30	0.39	0.20
2474-38L	1200.0	2.55	0.37	0.18
2474-39L	1500.0	3.00	0.34	0.16
2474-40L	1800.0	4.00	0.30	0.15
2474-41L	2200.0	4.40	0.28	0.14
2474-42L	2700.0	5.80	0.25	0.12
2474-43L	3300.0	6.56	0.23	0.11
2474-44L	3900.0	8.63	0.20	0.10
2474-45L	4700.0	10.1	0.19	0.09
2474-46L	5600.0	11.2	0.18	0.09
2474-47L	6800.0	15.0	0.15	0.08
2474-48L	8200.0	20.8	0.13	0.07
2474-49L	10000.0	23.4	0.12	0.06
2474-50L	12000.0	26.0	0.12	0.06
2474-51L	15000.0	36.0	0.10	0.05
2474-52L	18000.0	40.0	0.09	0.05

Optional Tolerances: K = 10% J = 5%

