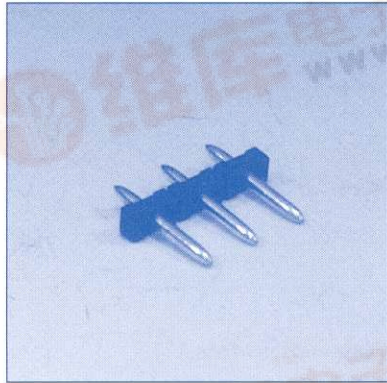


# Pluggable Series

# 299 Series



### Technical Data:

#### Material:

- Pins: Brass, nickel and tin plated.
- Insulator body: NYLON (Glass Filled) (strip only)

#### Electrical:

- Current rating: 10 Amps / way max.
- Withstanding Voltage: 1500VAC / min. test time= 60sec / 1pcs.
- Insulation resistance: 5000M  $\Omega$  / 1000V.

#### Mechanical:

- Contact Retention Force: 3 Kg/cm<sup>2</sup> (min)
- Operating temperature: -55°C to +105°C
- Solderability: 95 % coverage (min). test temperature= 230°C  $\pm$  10°C.  
test time= 3sec  $\pm$  0.5sec.

### Application and Features:

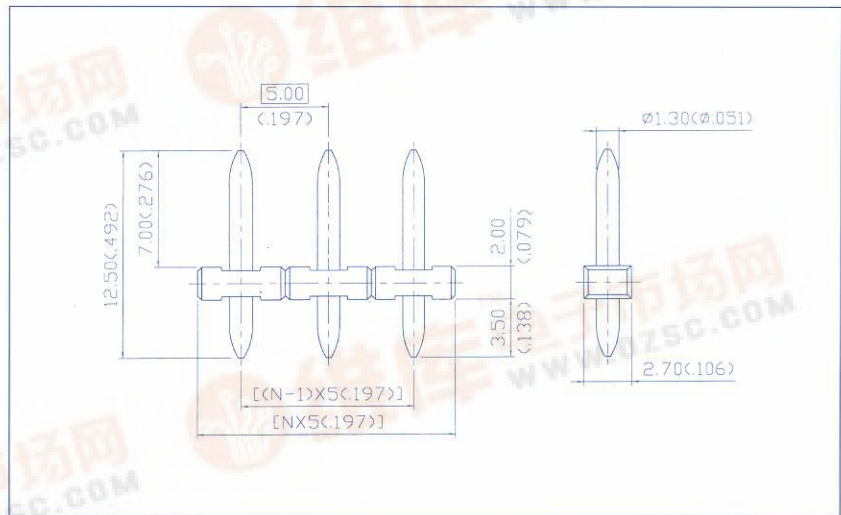
- Nextron's two piece pluggable

and fixed PCB terminal block

is designed to plug on to loose

pins or pin header strips.

- 299 series are designed for compatible with 332 series.
- Configuration from 2-24 are available.



Notes: Please replace 'X' with appropriate coding listed in the tables below

299-1-X0X-XXX-1000

#### Color

Green	5
Blue	6
Gray	8

#### Pitch

5.00mm/.197"	1
10.00mm/.394"	2

#### Number of contact

02-24 contacts	002
	003
	etc.

