

# 2.00mm (0.079") PITCH CONNECTOR

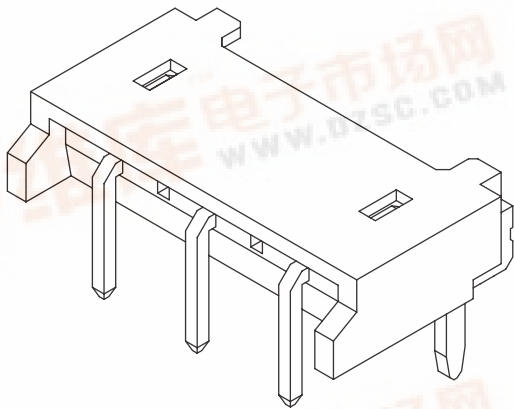


Wire-to-Board  
Wafer

20032WR Series

DIP

Right Angle

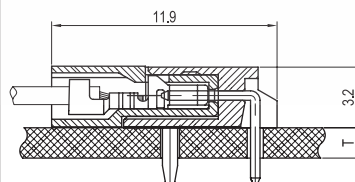
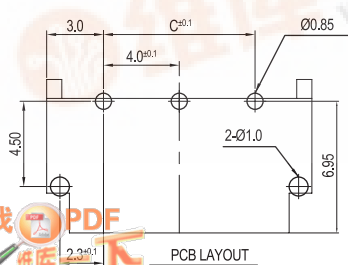
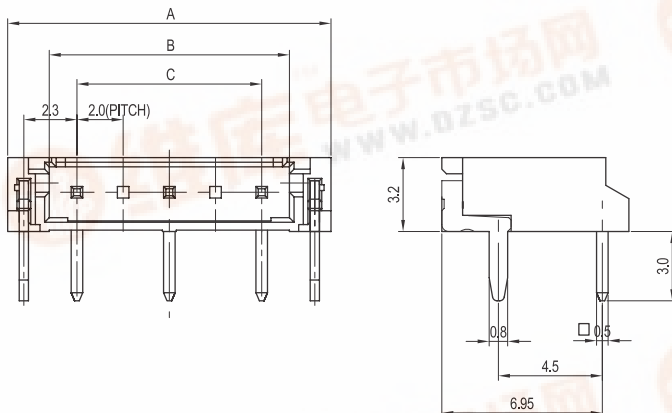
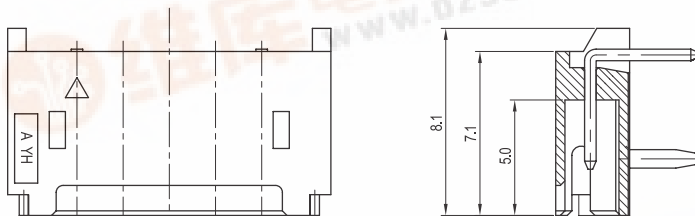


## Material

I/NO	DESCRIPTION	TITLE	MATERIAL
1	WAFER	20032WR	PA6T or PA46, UL 94V Grade
2	PIN		Brass & Pin-Plated
3	HOOK	20032LR	Brass & Pin-Plated

## Available Pin

PIN PITCH	NO. OF POSITION	PARTS NO.	A	B	C	Selective Voids Available Pin
4	3	20032WR-03A00	10.0	6.4	4.0	2
8	5	20032WR-05A00	14.0	10.4	8.0	2,3,4
12	7	20032WR-07A01	18.0	14.4	12.0	2,3,4,5,6
4	5	20032WR-05A01	14.0	10.4	8.0	2,4
4	7	20032WR-07A02	18.0	14.4	12.0	2,4,5,6
4	7	20032WR-07A00	18.0	14.4	12.0	2,4,6



## Specification

ITEM	SPEC
Voltage Rating	AC/DC 600V
Current Rating	AC/DC 1A
Operating Temperature	-25°C~+85°C
Contact Resistance	30mΩ MAX
Withstanding Voltage	AC1800V/1min
Insulation Resistance	1000MΩ MIN
Applicable Wire	-
Applicable P.C.B	1.2mm~1.6mm
Applicable FPC/FFC	-
Solder Height	-
Crimp Tensile Strength	-
UL FILE NO	-

Application Housing : 20015HS (72 page)

