

[查询322400B00000供应商](#)

[捷多邦, 专业PCB打样工厂, 24小时加急出货](#)

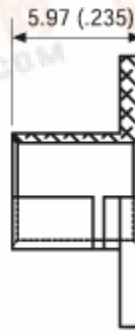
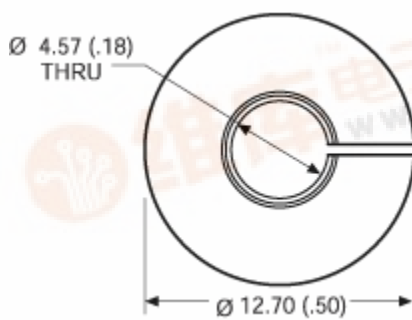


For use with TO-18 packages

322400b00000  
VIS#000530



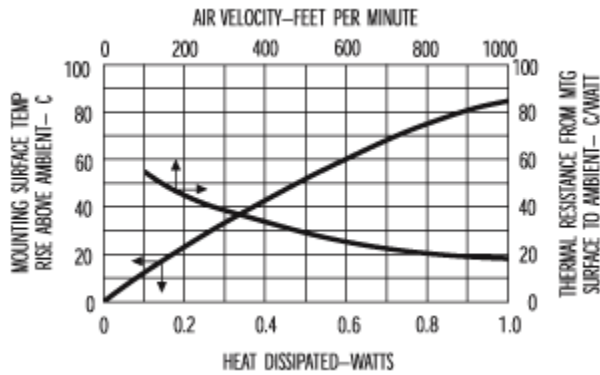
Mechanical Outline Drawing



Thermal Resistance	100.0
--------------------	-------

Thermal resistance value is based on a 75°C rise in natural convection

## Thermal Curves



## Product Information

12 Digit Part #	Description	Finish	Board Mounting
322400b00000	Heat Sink with no added hardware	Black Anodize	N/A

### Not Exactly what you need?

We offer several options for those applications which require a more unique solution. For slight modifications of this part or other attachment options, finishes, and interface materials, contact your [local representative](#). Challenge us with your thermal requirements - we can design custom solutions.

**For technical help with our Standard Products,**  
**please call (603) 223-1921, or contact your local Manufacturer's Rep**  
**Email: [info@aavid.com](mailto:info@aavid.com)**

Visit us at [www.aavidthermalloy.com](http://www.aavidthermalloy.com) • ©2002 Aavid Thermalloy, LLC