

[查询322605B00000供应商](#)

[捷多邦, 专业PCB打样工厂, 24小时加急出货](#)

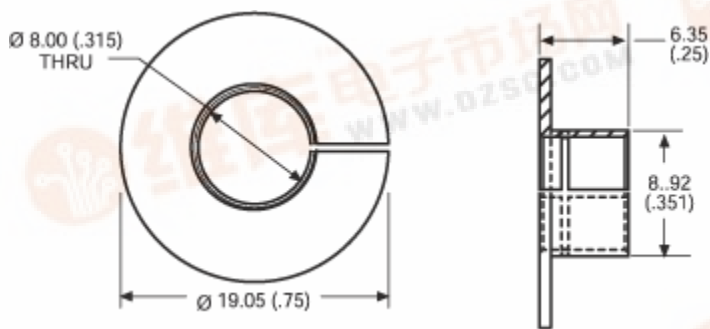


For use with TO-5 packages

322605b00000
VIS#000535



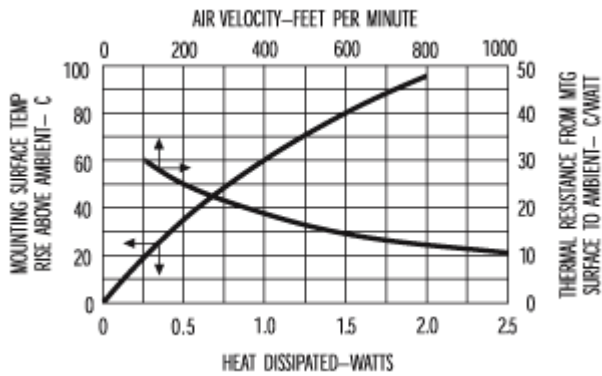
Mechanical Outline Drawing



Thermal Resistance	40.0
--------------------	------

Thermal resistance value is based on a 75°C rise in natural convection

Thermal Curves



Product Information

12 Digit Part #	Description	Finish	Board Mounting
322605b00000	Heat Sink with no added hardware	Black Anodize	N/A

Not Exactly what you need?

We offer several options for those applications which require a more unique solution. For slight modifications of this part or other attachment options, finishes, and interface materials, contact your [local representative](#). Challenge us with your thermal requirements - we can design custom solutions.

**For technical help with our Standard Products, please call (603) 223-1921, or contact your local Manufacturer's Rep
Email: info@aavid.com**

Visit us at www.aavidthermalloy.com • ©2002 Aavid Thermalloy, LLC