

# 7334L2622F13LF

Lead Free Version (Optional)

Plating : contact area  
 2: 0.4 µm Gold  
 5: 2.0 µm Gold

Number of contacts :  
 2: 8 contacts ISO  
 3: 16 contacts ISO + AFNOR

**GENERAL:**

This L26 connector uses a "sliding" contact technology suitable for most applications. It has been designed for easy mounting on the PCB.

**ELECTRICAL PROPERTIES:**

Insulation resistance : 5000 MΩ min  
 Dielectric withstanding : 750 Vrms min  
 Current carrying capacity : 10µA min. 1A max  
 Contact resistance : 100mΩ max  
 Card sensor type : Normally closed

**MECHANICAL PROPERTIES:**

Contact Normal force : 0.6 N max (EMV Standard)  
 Insertion force : 10 N max  
 Extraction force : 1 N min  
 Durability : 10000 card insertions with 0.4µm Gold  
 According to UTE C93-421

**MATERIAL:**

Housing : PBT 30 % Glass Filled, Colour Black, Rated UL94V0  
 Contacts and switch : Phosphor bronze  
 Plating : Nickel all over with 3µm mini on contact area  
 Gold on contact area : see catalogue part number key  
 Tin/Lead 3 µm mini on soldertails  
**FOR LEAD FREE PLATING :**  
 Matte Tin 3µm mini on solder tail in place of Tin/Lead  
 Bare edge allowed

**ENVIRONMENT:**

Operating temperature: -20°C / +70°C  
 Storage temperature: -40°C / +85°C  
 Printed Circuit Board thickness : 1.6mm

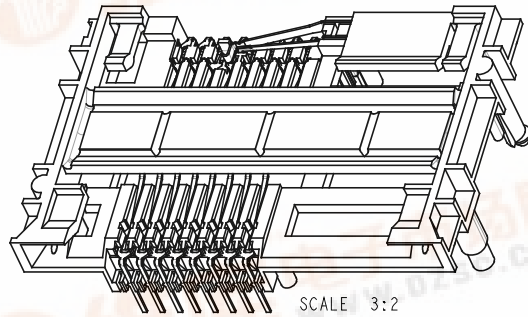
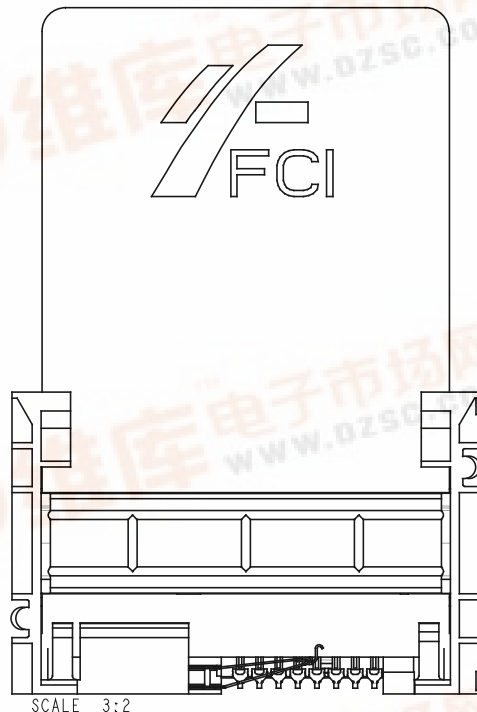
**REFERENCE DOCUMENTS:**

Product specification VGN 11596  
 Packaging Specification VGN 11619

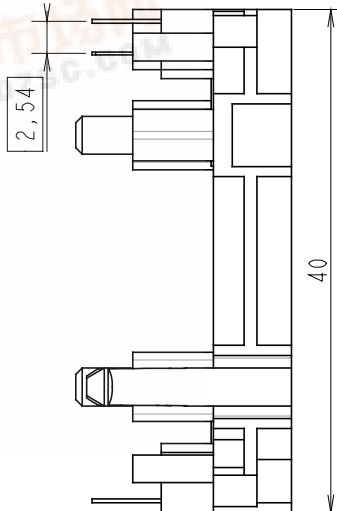
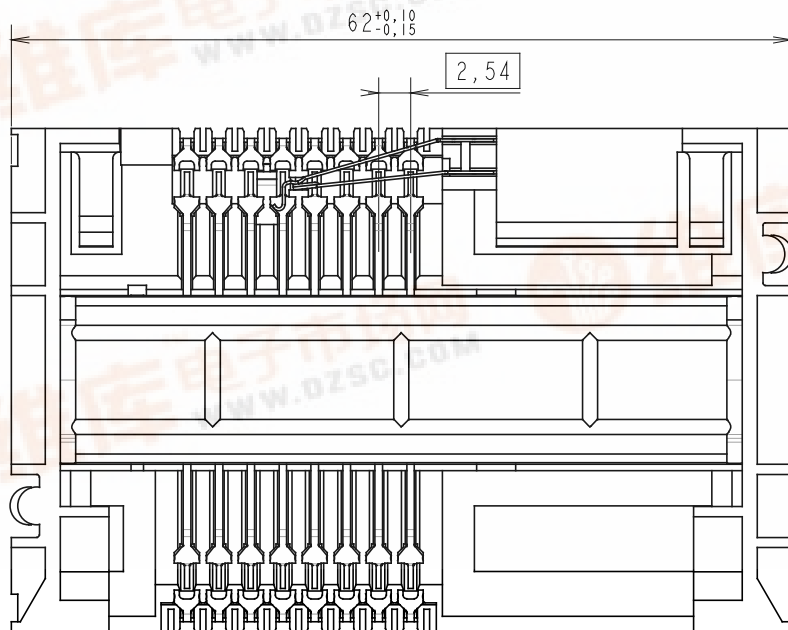
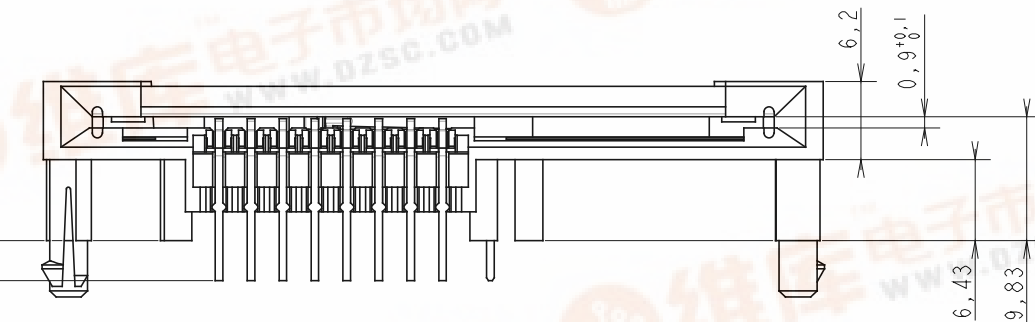
**LEAD FREE VERSION:**

"This product meets European Union Directives and other country regulations as described in GS-22-008"

The housing will withstand exposure to 260°C peak temperature for 10seconds in a wave solder application with a 1.6mm minimum thick circuit board. Use protective adhesive tape (Kapton or Teflon) or protective metallic devices on the areas which are directly exposed to wave soldering as it is used in classical leaded wave soldering



SCALE 3:2



General Tolerances: ± 0.2 mm

EUROPEAN PROJECTION

www.fciconnect.com		surface - ✓	tolerance ISO 406	projection	mm
		ISO 1302	ISO 1101		
Dr	DILIPTHOMAS	02.04.30	Product family	5S2F	size
Eng	F TISSERAND	02.04.30	Spec ref	SEE NOTES	A2
Chr	N.TWENCY	'05/05/10	Material	SEE NOTES	ECN
Appr	KS	'05/05/10			105-0071
L26 TYPE F13				dwg no	VJW_54825
catalog no				See Table	CUSTOMER COPY
				Rev.	C
				sheet 1 of 2	

Tous droits strictement réservés. Reproduction ou communication de ces plans interdite sans autorisation écrite de la propriété FCI. Toute réimpression sans autorisation écrite de la propriété FCI. Toute réimpression sans autorisation écrite de la propriété FCI.

**FCI**

**E**

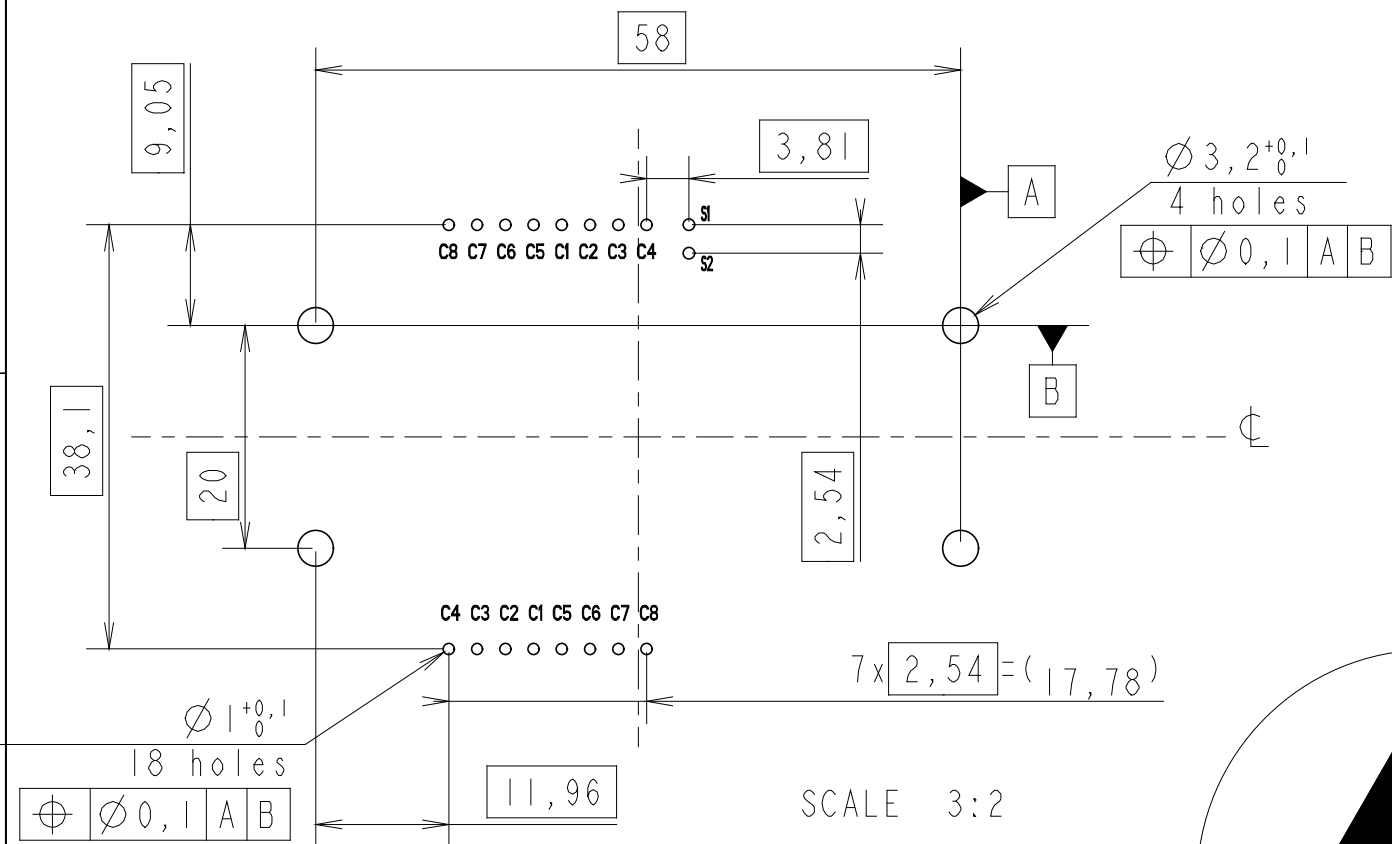
**F**



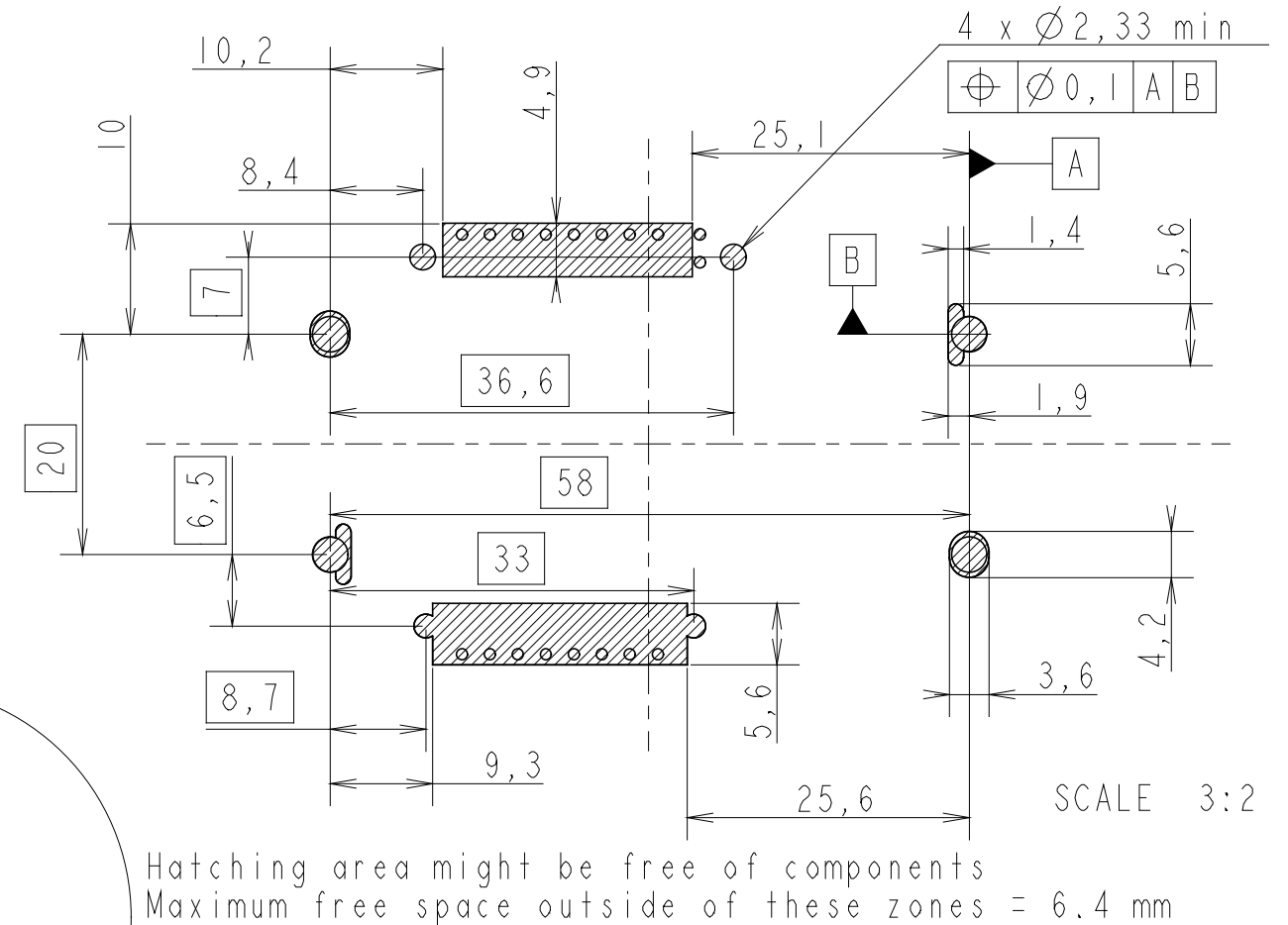
PDF 一下 dzsc.com

Tous droits strictement réservés. Reproduction ou communication a des tiers interdite sous quelque forme que ce soit sans autorisation écrite du propriétaire. Propriété de c FCI. Droits de reproduction FCI.

**RECOMMENDED PCB LAYOUT** CONTACT CONFIGURATION : ISO & AFNOR (CONNECTOR SIDE)

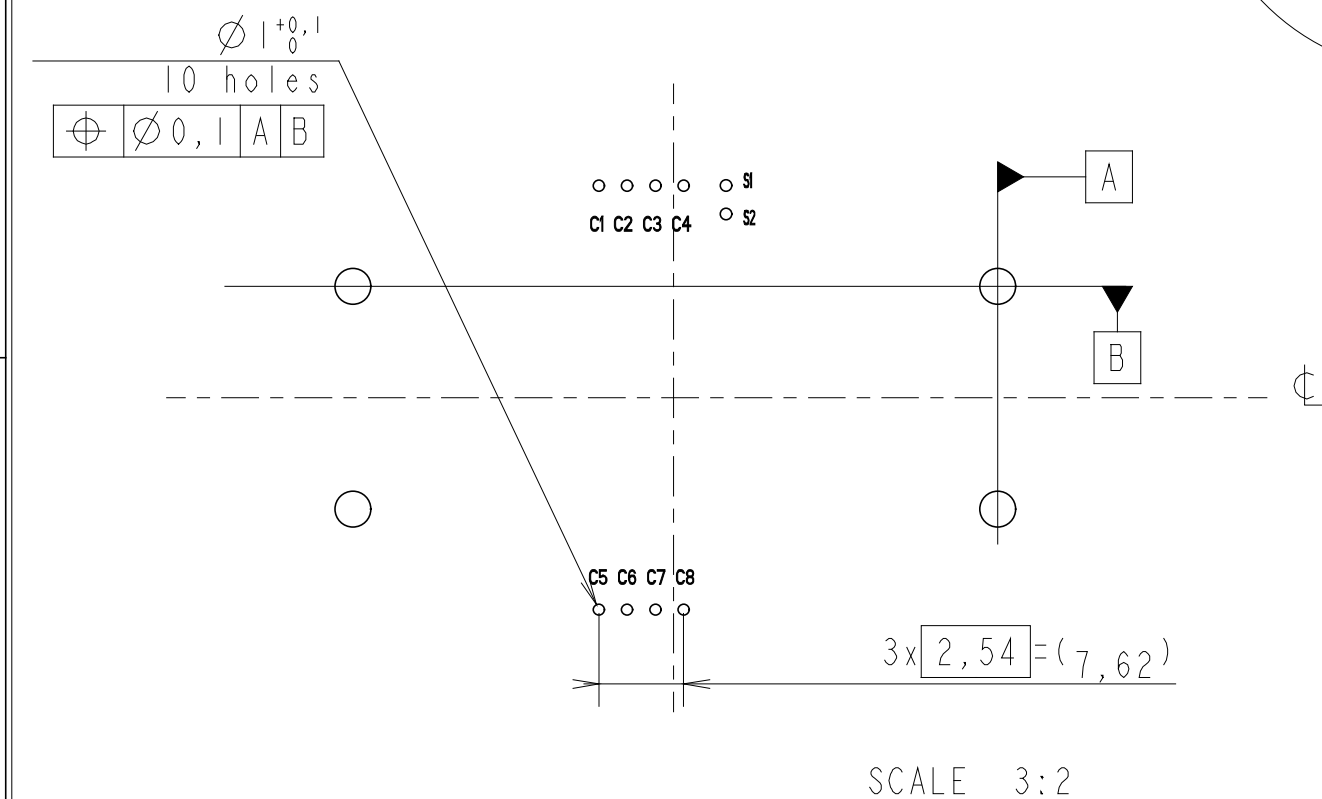


**STANDARD LAYOUT FOR 'KEEP OUT ZONE' (Connector Side)**



**FCI**

**RECOMMENDED PCB LAYOUT** CONTACT CONFIGURATION : ISO (CONNECTOR SIDE)



EUROPEAN PROJECTION

<b>FCI</b>	www.fciconnect.com		surface - ✓	tolerance	projection	mm
			ISO 1302	ISO 406 ISO 1101		
Dr	DILIP THOMAS	02.04.30	Product family		5S2F	size
Eng	F TISSERAND	02.04.30	Spec ref		SEE NOTES	Scale
Chr	N.TWINCY	'05/05/10	Material		SEE NOTES	ECN
Appr	KS	'05/05/10				105-0071

title	L26 TYPE F13		dwg no	VJW_54825	Rev.
catalog no	See Table	CUSTOMER COPY		sheet 2 of 2	C

rights strictly reserved. Reproduction or issue to third parties in any form whatever is not permitted without written authority from the proprietor. Property of FCI. Copyright FCI.