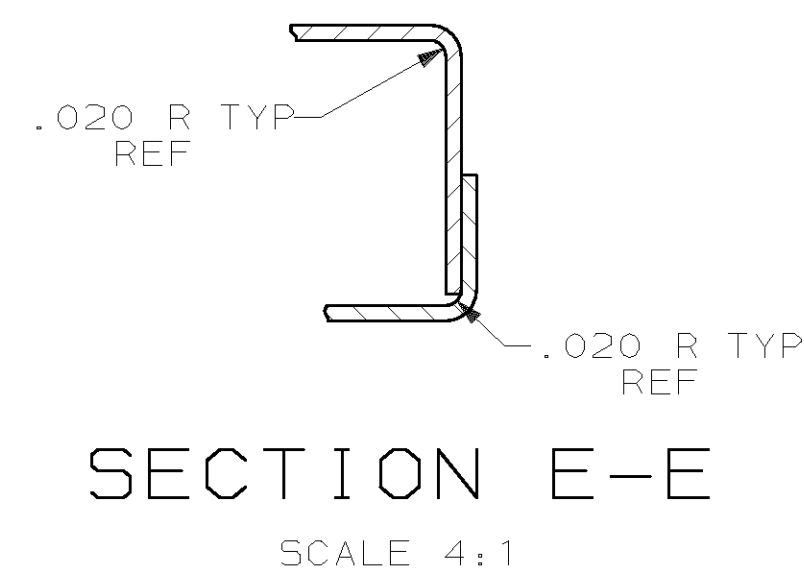
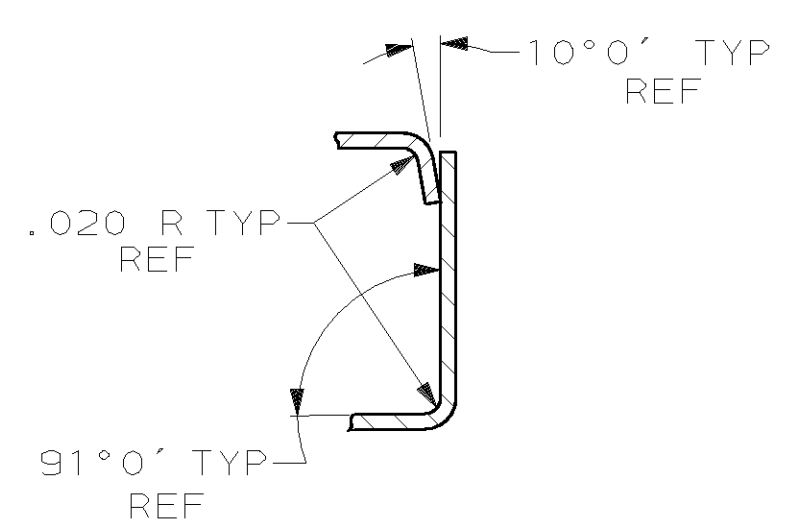
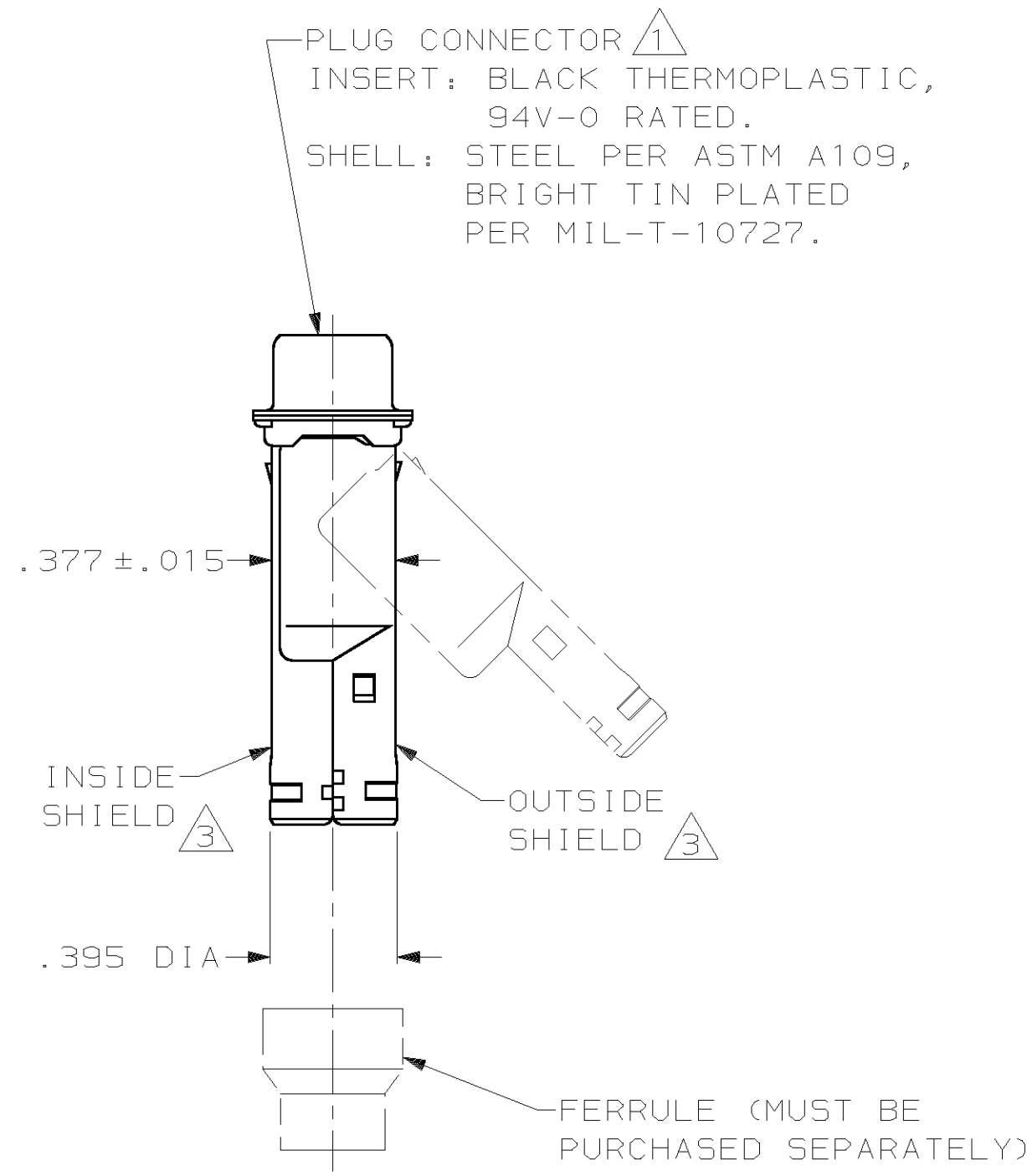
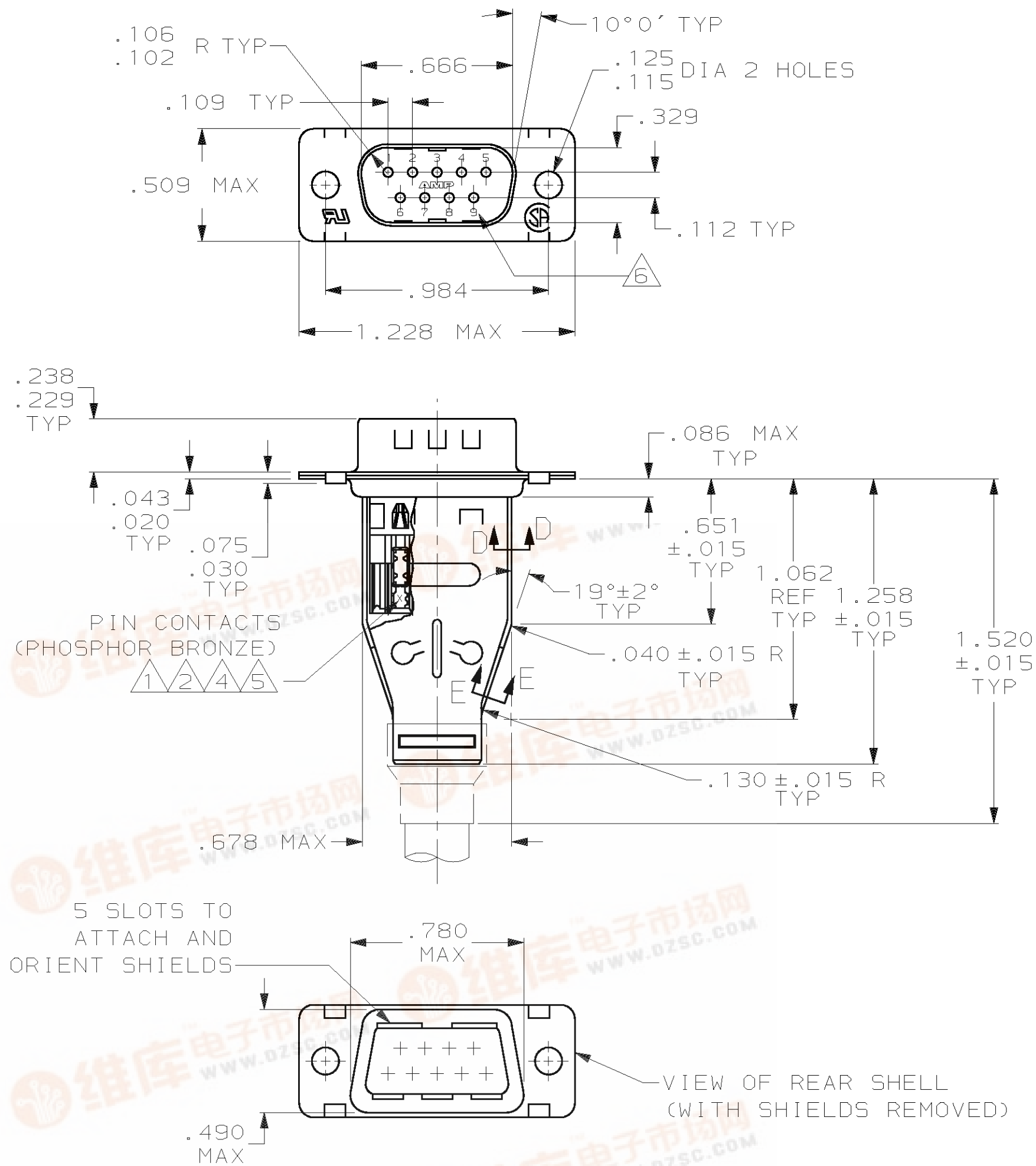


LOC	DIST	P	F	ZONE	LTR	DESCRIPTION	DATE	APPD
GP	00							
					D	REV PER EC 0U1D-0220-00	10/08/01	JR
					E	REV PER EC 0UE0-0002-01	11 JAN 02	JR



- 1 PLUG CONNECTOR FULLY LOADED WITH CONTACTS. ALL OTHER PARTS SHIPPED UNASSEMBLED (EACH PART INDIVIDUALLY BULK PACKED).
- 2 NUMBER ON CONTACT INDICATES WIRE RANGE.
- 3 SHIELDS: MATERIAL-.020 THICK STEEL, TIN PLATED.
- 4 CONTACTS PLATED GOLD PLATED FOR LENGTH OF .150 MIN FROM MATING END, .000030 MIN GOLD IN MATED AREA. .000100-.000200 BRIGHT TIN OR BRIGHT IN TIN-LEAD IN WIRE TERMINATION AREA. .000050 NICKEL UNDERPLATE ON ENTIRE CONTACT.
- 5 CONTACTS PLATED GOLD PLATED FOR LENGTH OF .150 MIN FROM MATING END, GOLD FLASH IN MATED AREA. .000100-.000200 BRIGHT TIN OR BRIGHT IN TIN-LEAD IN WIRE TERMINATION AREA. .000030 NICKEL UNDERPLATE ON ENTIRE CONTACT.

OBSOLETE	CONTACT FINISH	WIRE RANGE	PART NUMBER
3	5	#20-22	747515-6
2	5	#22-26	747515-5
1	5	#26-30	747515-4
3	4	#20-22	747515-3
2	4	#22-26	747515-2
1	4	#26-30	747515-1

DO NOT SCALE PRINT. UNLESS SPECIFIED DIMENSIONS IN INCHES TOLERANCES ON: 2 PLC DEC ± - 3 PLC DEC ± .005 ANGLES ± 0°30'	DR 5-23-90 J GALLUCCI BG CHK 8-31-90 J.McCLINTON APPD 9-4-90 B.TAYLOR APPD 9-4-90 J.ASSINI	AMP AMP INCORPORATED Harrisburg, Pa. 17105	
SEE CALL OUT 3	PRODUCT SPEC -	KIT, PLUG, SHIELDING HARDWARE, SIZE 1, 9 POSN, HDE-20, AMPLIMITE™	
FINISH SEE CALL OUT AND NOTES	APPLICATION SPEC -	SIZE C	FSCM NO 00779
	WEIGHT -	SCALE 2:1	DRAWING NO 747515
			SHEET 1 OF 1

