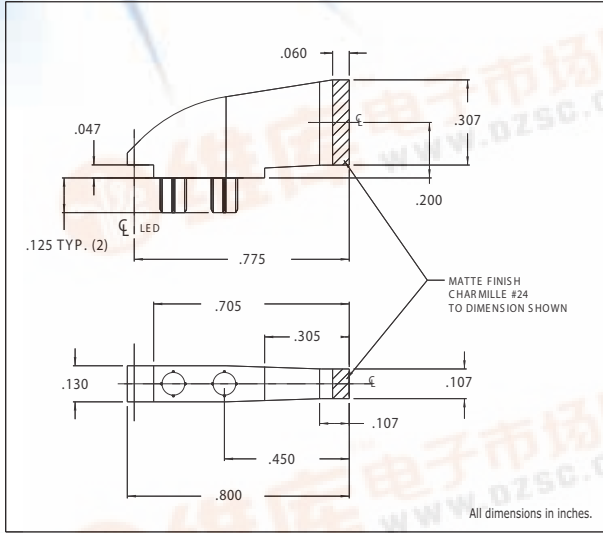




7610D2 Series 2.5 x 7.5 Bright ★Pipes™ Optical Lightpipes

DESCRIPTION AND FEATURES



- Precision engineered with **ray tracing** for bright, optically precise even indication and attractive appearance.
- ESD protection from circuitry for exceptional reliability.
- Optimized for use with Bright ★Chips™ SMT LEDs.
- High contrast and wide viewing angle for greater visibility.
- Available in a variety of colors for added contrast and aesthetics.
- Parts inserted after reflow to permit LED pad inspection before assembly.
- Low profile for height constrained applications.
- Large 2.5 x 7.5 mm surface provides high visibility.
- Ideal for bar graph displays.
- 7610D2 is designed for use with 7012X Series Bright Chip LEDs.

Mounting hole pattern on page 1-X4.



America:
CML Innovative Technologies, Inc.
147 Central Avenue
Hackensack - NJ 07601 - USA
Tel: 1-201-489 - 8989
Fax: 1-201-489 - 6911
e-mail: americas@cml-it.com

Europe:
CML Technologies GmbH & Co. KG
Robert-Bunsen-Str.1
67098 Bad Dürkheim - GERMANY
Tel: +49 (0)6322 9567-0
Fax: +49 (0)6322 9567-88
e-mail: europe@cml-it.com

Asia:
CML Innovative Technologies, Inc.
61 Aida Street
Singapore 459975
Tel: (65)9630 -5003
e-mail: asia@cml-it.com