



### Features

- Compatible with most surface mount soldering processes
- Compatible with popular vacuum pick-and-place equipment
- J-hook, gull-wing & pinned configurations
- Sealed for board washing
- Meets EIA/EIAJ/IPC/VRCI SMD standard outline dimensions
- Top or side actuated
- RoHS compliant\*

## 7914 4 mm SMD & Through-hole Sealed Key Switch

### Electrical Characteristics

Contact Rating  
 Maximum Current .....100 mA max.  
 Maximum Voltage .....16 V  
 Contact Resistance .....100 milliohms max.  
 Insulation Resistance ...100 megohms min.  
 Dielectric Strength .....250 VAC

### General Characteristics

Switch Type .....Normally open  
 Operating Temperature Range  
 .....-55 °C to +125 °C  
 Storage Temperature Range  
 .....-55 °C to +125 °C  
 Seal Test .....85 °C Fluorinert<sup>1</sup>  
 Vibration .....20 G  
 Shock .....100 G

### Mechanical Characteristics

Actuator Force .....300 ± 100 g  
 Pushover Strength (S Style)  
 .....2 kilograms minimum  
 Cycle life, loaded .....100,000 actuations  
 Contact resistance .....100 milliohms max.

### Physical Characteristics

Cover Material .....Stainless steel  
 Base Material .....Thermoplastic, UL94V-0  
 Terminal Material .....Phosphor bronze  
 Dome Material .....Stainless steel  
 Actuator Material .....High temperature silicon rubber  
 Marking .....Manufacturer's code and date code

Packaging Options  
 J & G .....500 pcs./reel; 50 pcs./tube  
 S .....200 pcs./reel; 100 pcs./tube  
 H .....50 pcs./tube

### How to Order

**7914 J - 1 - 000 E**

Model \_\_\_\_\_

Terminal \_\_\_\_\_  
 J = J-Hook H = Through-hole  
 G = Gull Wing S = Right Angle

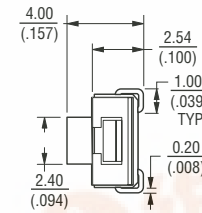
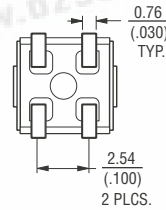
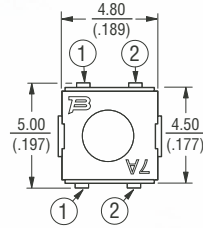
Switch Type \_\_\_\_\_  
 1 = N.O. Au Contacts

Product Code for Button Height \_\_\_\_\_  
 (For Styles J, G and H)  
 000 = 4.0 mm FMS  
 024 = 2.4 mm FMS (Flush Actuator)  
 032 = 3.2 mm FMS  
 050 = 5.0 mm FMS  
 (For Style S)  
 000 = 1.68 mm FTS 032 = 0.91 mm FTS  
 024 = Flush Actuator 050 = 2.7 mm FTS

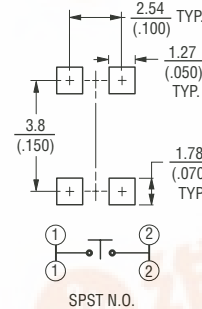
Embossed Tape \_\_\_\_\_  
 (Option Applicable to Styles J, G and S only - Consult Factory. Omit for Tube packaging.)  
 03 = J = 500 pcs./reel S = 200 pcs./reel  
 FMS = From Mounting Surface  
 FTS = From Top Surface

### Product Dimensions

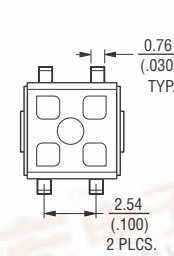
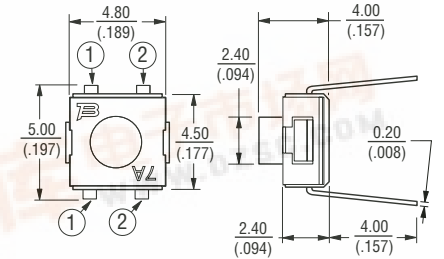
**7914J J-Hook**



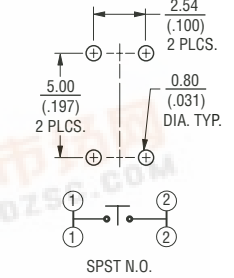
RECOMMENDED PCB LAYOUT



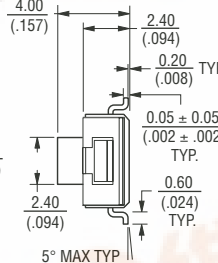
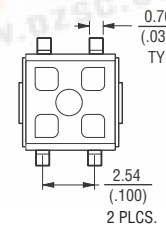
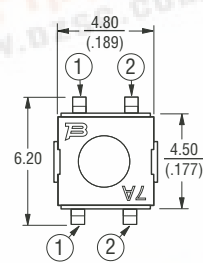
**7914H Through-hole**



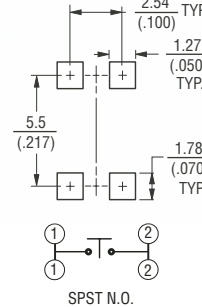
RECOMMENDED PCB LAYOUT



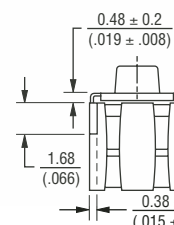
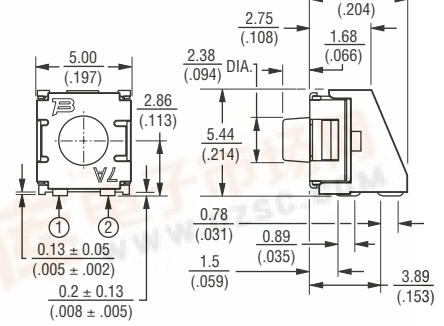
**7914G Gull Wing**



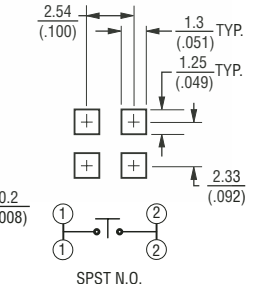
RECOMMENDED PCB LAYOUT



**7914S Right Angle**



RECOMMENDED PCB LAYOUT

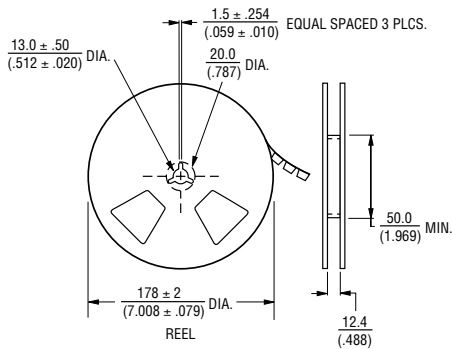
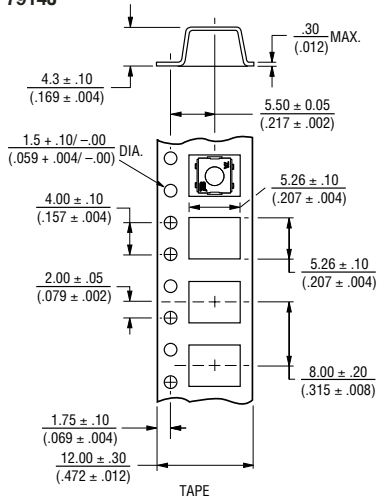


# 7914 4 mm SMD & Through-hole Sealed Key Switch

**BOURNS®**

## Packaging Specifications

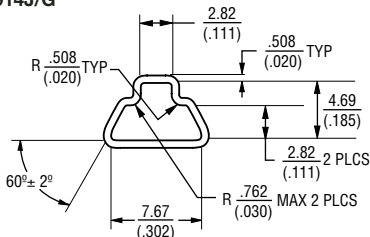
**7914J**



Meets EIA specification 481.

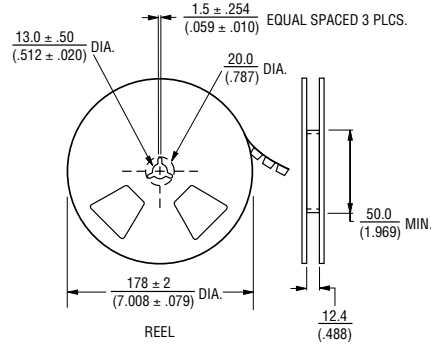
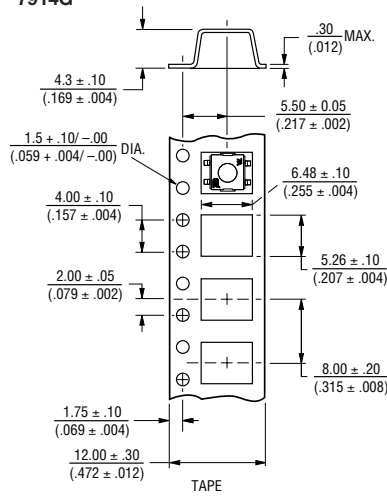
500 pcs./reel

**7914J/G**



50 pcs./tube

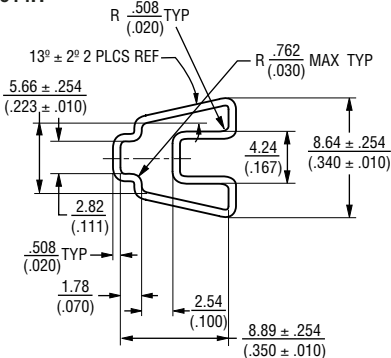
**7914G**



Meets EIA specification 481.

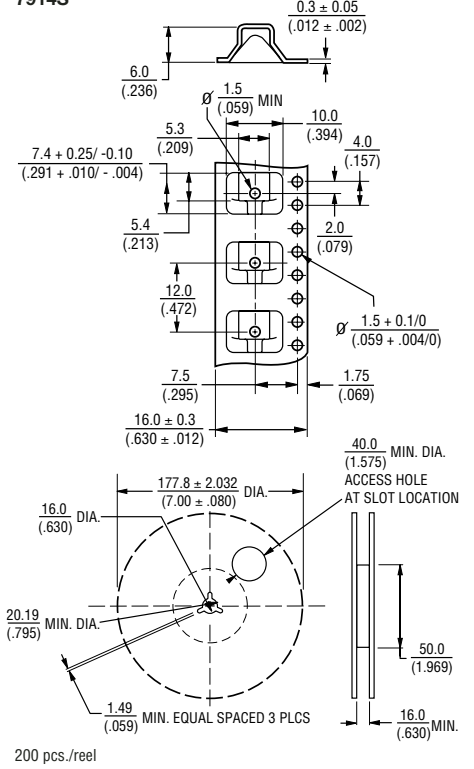
500 pcs./reel

**7914H**



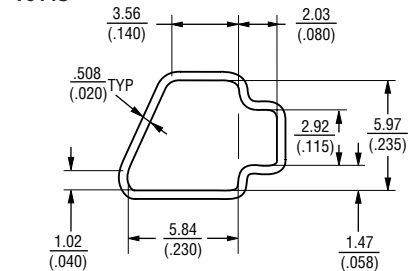
50 pcs./tube

**7914S**



200 pcs./reel

**7914S**



100 pcs./tube

## Reflow Soldering Profile

