

Choke EMC Suppression Choke

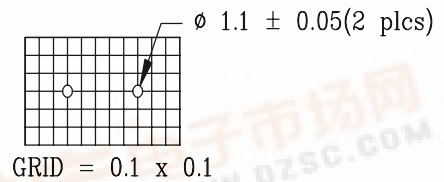
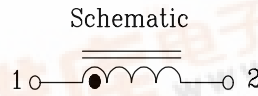
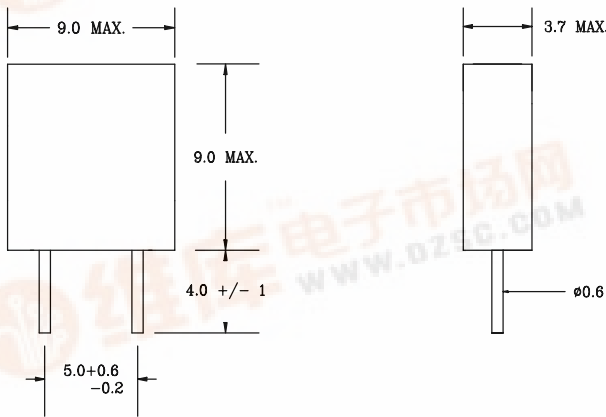
8451-8453



- Use of high loss ferrite materials for excellent high frequency noise absorption
- High impedance for normal mode applications
- Designed to absorb high frequency noise from digital equipment data lines



MECHANICAL AND SCHEMATIC (All dimensions in mm)



ELECTRICAL SPECIFICATION @ 25°C

Part Number	Inductance uH	DCR ohm max.	DC Current A max.	Impedance (ohms) typical		
				400 MHz	200 MHz	100 MHz
8451	1.0 note*	.08	0.50	800	---	---
8452	10.0 min	.05	1.50	---	900	---
8453	20.0 min	.08	1.50	---	---	2000

Note* +1.0
- 0.5

ISSUE: A 00/03/2001 8451

