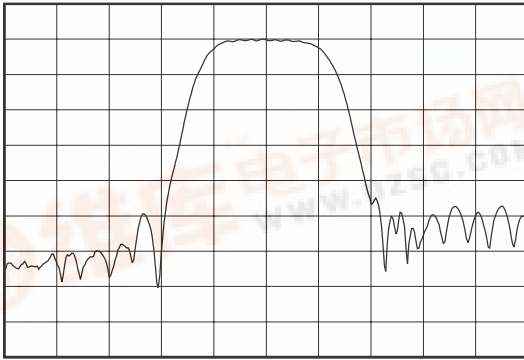




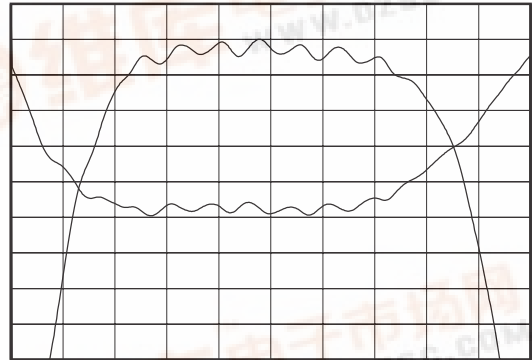
**70 MHz Low-Loss Filter**  
**2 MHz Bandwidth**  
**Part Number 854654**

**Data Sheet**

**Typical Performance**



Horizontal: 1 MHz/Div  
 Vertical: 10 dB/Div

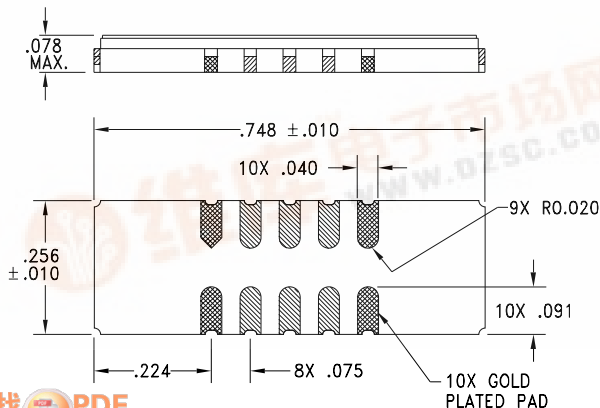


Horizontal: 300 kHz/Div  
 Vertical: 1 dB/Div  
 Vertical: 10 degrees/Div

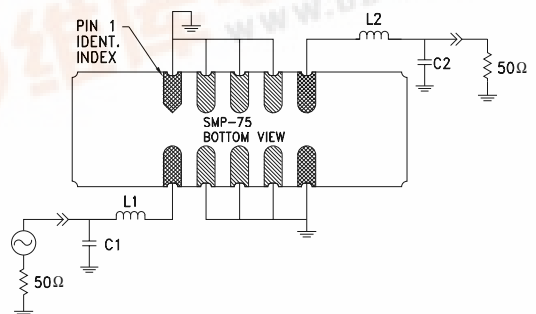
**Specifications**

Parameter	Unit	Minimum	Typical	Maximum
Center Frequency	MHz	69.92	70	70.08
Insertion Loss at $F_o$	dB	-	7.85	8.25
1 dB Bandwidth	MHz	1.3	1.7	-
3 dB Bandwidth	MHz	2	2.1	-
40 dB Bandwidth	MHz	-	3.85	4.25
Passband Ripple	dB	-	0.6	1
Phase Linearity (70% of 3 dB Bandwidth)	deg	-	5	8
Group Delay Variation (70% of 3 dB Bandwidth)	nsec	-	250	340
Absolute Delay	μsec	-	2.19	-
Substrate Material	-	-	LiTaO <sub>3</sub>	-
Temperature Coefficient	ppm/°C	-	-23	-
Ambient Temperature	°C	-	25	-

**Package Outline**



**Matching Configuration**



L1 = 150 nH, L2 = 150 nH  
 C1 = 56 pf, C2 = 56 pf  
 Nominal Source/Load Impedance = 50Ω  
 Package Style SMP-75

6/2/00