

查询8655MH5001供应商

捷多邦, 专业PCB打样工厂, 24小时加急出货

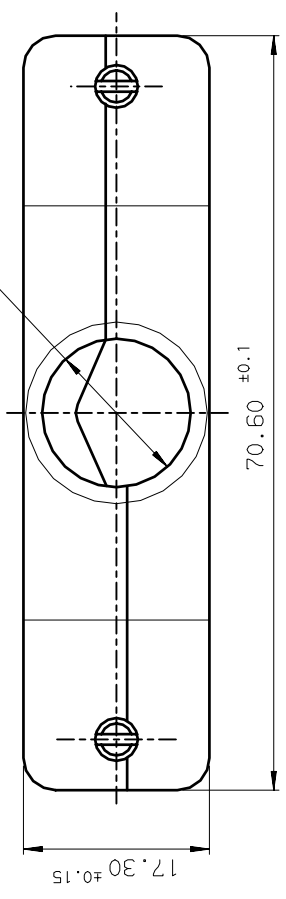
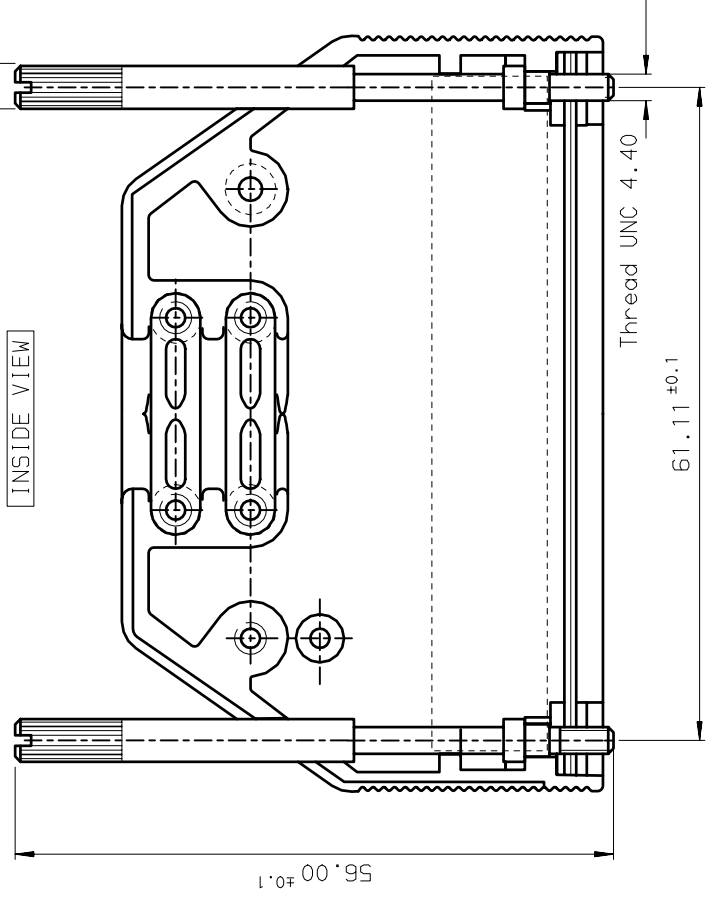
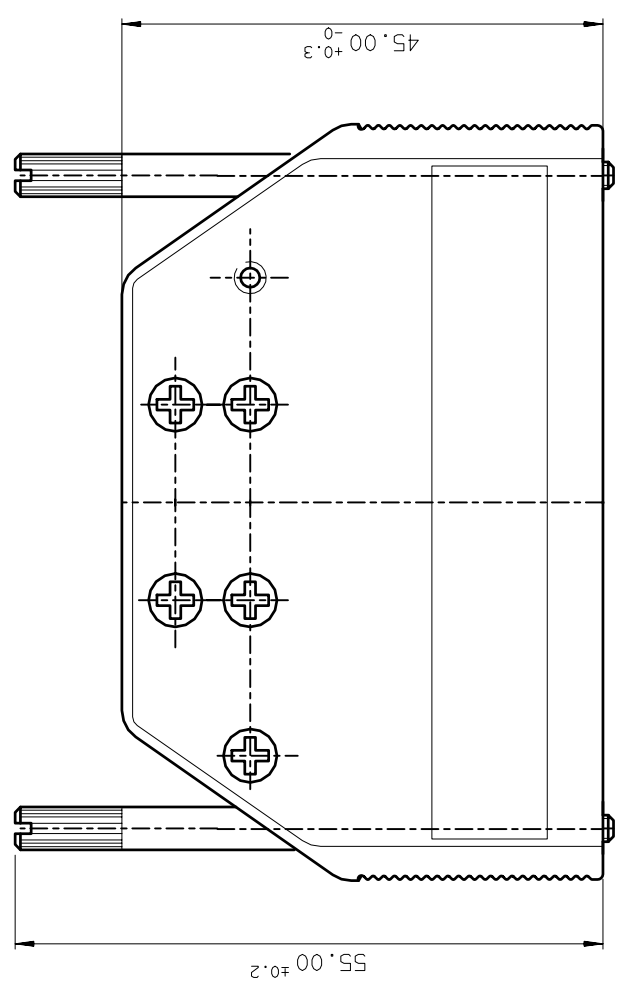
Core range
PART NUMBER 8655MH5011 **PACKAGING:** per 1 piece

FOR STANDARD AND APPLICATION SPECIFIC PART NUMBER SEE SHEET 2.

European view

FCI www.fciconnect.com	Dr	JARRY	05/03/92	Product family	ISO 1302	tolerance	ISO 406	projection	mm	Scale	5	
	Eng	PESSON	05/03/92	Spec ref	D-SUB	ISO 1101	ISO 1101	size	A3	ECN	L505-0084	
	Chr	LEGARE	05/03/92	Material	SEE NOTES							
	Appr	LEGARE	05/03/92									
SHIELDED HOODS - TWO PARTS HOODS (Shell size 50)												
title C01-8655-0629-1											Rev.	E
catalog no - CUSTOMER COPY											sheet 1 of 2	

ltr	ecn no	dr	date
C	-	BAR	15/04/03
D	L505-0028MPE	08/07/05	
E	L505-0084MPE	29/09/05	
-	-	-	-
-	-	-	-
-	-	-	-



Pull Parts
PART NUMBER 8655MH5001 **PACKAGING:** per 40 pieces

European view

FCI www.fciconnect.com	tolerance	ISO 406 ISO 1101	projection	mm
	ISO 1302	Product family	D-SUB	size
	05/03/92	Spec. ref.	-	A3
	05/03/92	Material	SEE NOTES	ECN
Dr	JARRY	05/03/92	Product family	D-SUB
Eng	PESSON	05/03/92	Spec. ref.	-
Chr	LEGARE	05/03/92	Material	SEE NOTES
Appr	LEGARE	05/03/92	Material	SEE NOTES
title	SHIELDED HOODS - TWO PARTS HOODS (Shell size 50)			Rev.
catalog no	- CUSTOMER COPY			sheet 2 of 2
				C01-8655-0629-2
				E