

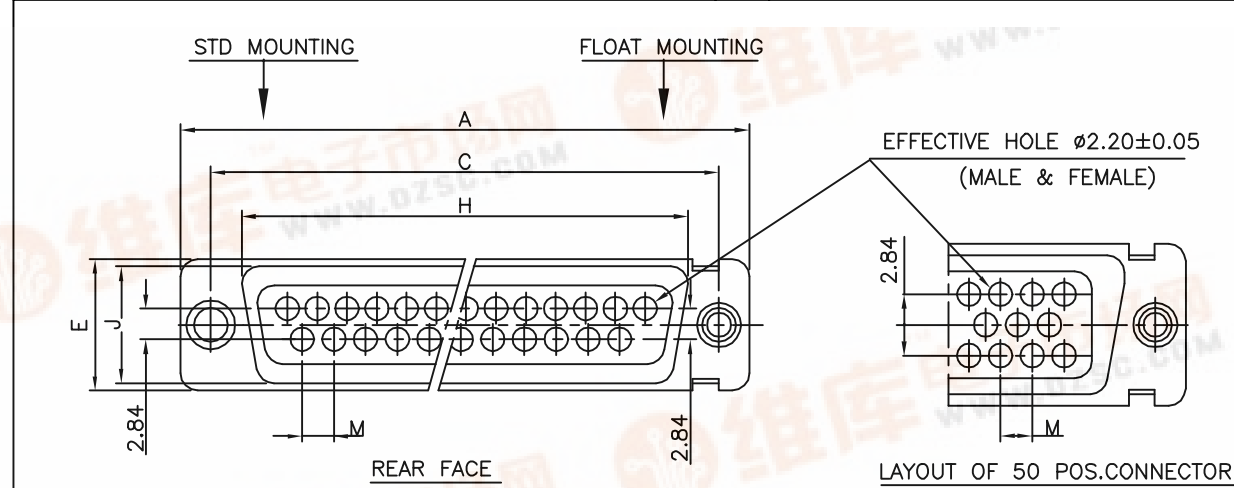
2

3

4

Tous droits strictement reserves. Reproduction ou communication a des tiers interdite sous quelque forme que ce soit sans autorisation écrite du Propriete de c FCI. Droits de reproduction FCI.

All rights strictly reserved. Reproduction or issue to third parties in any form whatsoever is not permitted without written authority from the proprietor. Property of FCI. Copyright FCI.



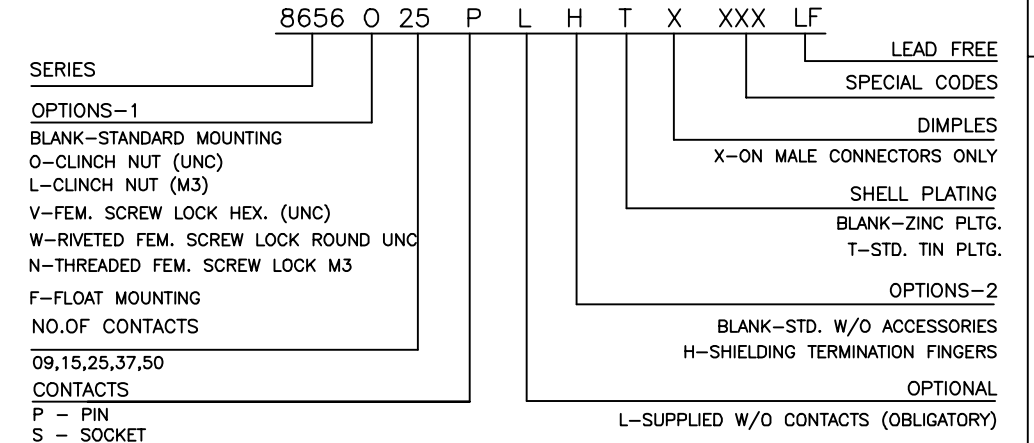
SHELL SIZE	TYPE OF MOUNTING	MOUNTING POSITIONS	DIMENSIONS					
			X±0.1	Y±0.1	R±0.1	+0.1 s-0	T±0.1	
50	STD	FRONT	58.30	15.80	61.11	3.20	2.10	
	REAR	56.30	14.10	61.11	3.20	3.30		
37	FLOAT	FRONT	59.20	16.60	61.11	2.20	2.10	
	REAR	57.20	14.40	61.11	2.20	3.30		
37	STD	FRONT	60.70	13.00	63.50	3.20	2.10	
	REAR	59.10	11.40	63.50	3.20	3.30		
25	FLOAT	FRONT	61.50	13.80	63.50	2.20	2.10	
	REAR	59.80	12.20	63.50	2.20	3.30		
25	STD	FRONT	44.30	13.00	47.04	3.20	2.10	
	REAR	42.50	11.40	47.04	3.20	3.30		
15	FLOAT	FRONT	45.10	13.80	47.04	2.20	2.10	
	REAR	43.30	12.20	47.04	2.20	3.30		
15	STD	FRONT	30.50	13.00	33.32	3.20	2.10	
	REAR	28.80	11.40	33.32	2.20	3.30		
09	FLOAT	FRONT	31.30	13.80	33.32	2.20	2.10	
	REAR	29.60	12.20	33.32	2.20	3.30		
09	STD	FRONT	22.20	13.00	24.99	3.20	2.10	
	REAR	20.50	11.40	24.99	3.20	3.30		
09	FLOAT	FRONT	23.00	13.80	24.99	2.20	2.10	
	REAR	21.30	12.20	24.99	2.20	3.30		

TABLE 2

SHELL SIZE	TYPE OF MOUNTING	MOUNTING POSITIONS	DIMENSIONS													
			X±0.1	Y±0.1	R±0.1	+0.1 s-0	T±0.1									
50	STD	FRONT	66.65	52.68	61.11	11.08	14.99	11.09	5.85	55.07	13.31	1.50	1.0	2.76	3.05	17.35
	REAR	66.65	52.30	61.11	10.62	14.99	11.21	6.05	55.07	13.31	1.10	0.8	2.76	2.85	17.44	
37	FLOAT	FRONT	68.94	55.30	63.50	8.23	12.17	11.09	5.85	57.45	10.46	1.50	1.0	2.76	3.05	17.35
	REAR	68.94	54.71	63.50	7.77	12.17	11.21	6.05	57.45	10.46	1.10	0.8	2.76	2.85	17.44	
25	STD	FRONT	52.65	38.84	47.04	8.23	12.17	11.07	5.85	41.02	10.46	1.10	0.8	2.76	2.85	17.35
	REAR	52.65	38.25	47.04	7.77	12.17	11.21	6.05	41.02	10.46	1.10	0.8	2.76	2.85	17.44	
15	FLOAT	FRONT	38.76	25.12	33.32	8.23	12.17	10.99	5.85	27.25	10.46	1.10	0.8	2.74	2.85	17.35
	REAR	38.76	24.54	33.32	7.77	12.17	11.21	6.05	27.25	10.46	1.10	0.8	2.74	2.85	17.44	
09	STD	FRONT	30.43	16.79	24.99	8.23	12.17	10.99	5.85	19.02	10.46	1.10	0.8	2.74	2.85	17.35
	REAR	30.43	16.21	24.99	7.77	12.17	11.21	6.05	19.02	10.46	1.10	0.8	2.74	2.85	17.44	

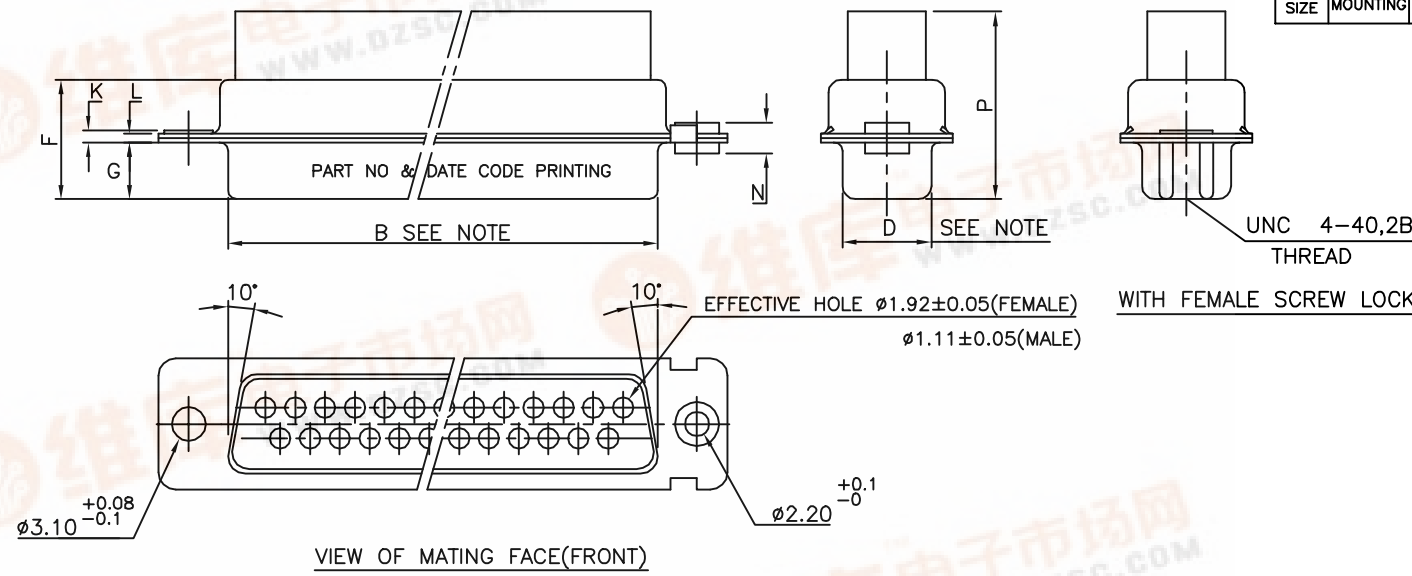
NOTE:—INSIDE DIM. OF MALE AND OUTSIDE DIM. OF THE FEMALE CONNECTOR.

ORDERING INFORMATION



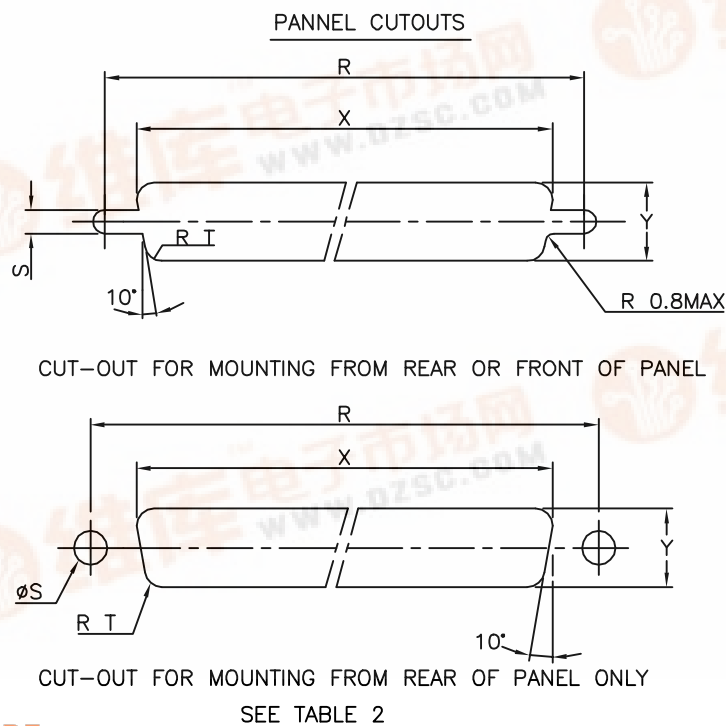
TECHNICAL SPECIFICATIONS

SHELLS	: TIN/CADMIUM/ZINC PLATED STEEL
INSULATOR MATERIAL	: SELF EXTINGUISHING THERMOPLASTIC—TO UL CLASS 94 V0 THE HOUSING WILL WITHSTAND EXPOSURE TO 260–265°C IF WE USE PROTECTIVE ADHESIVE (type Kapton or Teflon) OR PROTECTIVE METALLIC DEVICE
CONTACTS DIA ON ACTIVE AREA	: Ø1 MM.
CONTACTS MATERIAL	: COPPER ALLOY
CONTACT PLATING	: GOLD OVER NICKEL (ACTIVE ZONE) TIN OVER NICKEL (TERMINATION ZONE)
FOR LEAD FREE PLATING	: 2 µ MIN.MATTE TIN TOP OVER 1.27 µ MIN.NICKEL UNDER PLATE(ON TERMINATION ZONE)
OPERATING TEMPERATURE	: -55°C TO +125°C
OPERATING CURRENT	: 5 A PER CONTACT
CONTACT RESISTANCE	: <10mΩ
INSULATION RESISTANCE	: >5000 MΩ IN AMBIENT CONDITIONS.
MAXIMUM VOLTAGE	: 1000 V.r.m.s
MECHANICAL ENDURANCE	: 200 MATINGS (Au FLASH)
DAMP HEAT	: 21 DAYS
WIRE SIZE	: AWG 20/24 OR AWG 24/28
CONTACTS	: CRIMP REMOVABLE
MAX DIA OF WIRE	: 1.52mm (AWG 20/24) 1.02mm (AWG 24/28)



"This LF product meets European Union Directives and other country regulations as described in GS-22-008"

Packaging as per GS-14-920



Material.	SEE SPEC.	Spec ref.		
Mat code.	—	✓	Tolerance	Projection
Heattreat.	NA		LINEAR ±0.1	MM
Plating/Finish.	NA		ANGULAR ±1°	
Dr	Mini K Vandanath	20/03/1999	Size	Scale
Eng	Soji C A	20/03/1999	Product Family	8656
Chr	George V Joseph	23/12/2004	Model Name	ECN
Appr	K Somasundaram	23/12/2004	Model Revision	REL Level
Title		Dwg no		Rev.
A FCI		D-SUB CRIMP CONNECTOR		C
Catalog no		CAD File: C:\Engineering\D SUB		d
				Sheet 1 of 1

INDEX	DATE	REVISION DESCRIPTION
1	23/12/2004	LEAD FREE DETAILS ADDED
d	I04-0127	GVJ 23/12/04