



# INTEGRATED CONNECTOR MODULES

## 0813-1X1T-23-F Gigabit Ethernet Single Port MagJack®



### ELECTRICAL CHARACTERISTICS @ 25°C

#### TURNS RATIO

TP1	1CT : 1CT ±2%
TP2	1CT : 1CT ±2%
TP3	1CT : 1CT ±2%
TP4	1CT : 1CT ±2%

#### OCL @ 100kHz/100mVRMS

8mA DC BIAS	350µH MIN.
-------------	------------

#### INS. LOSS

0.1MHz TO 1MHz	-1.1 dB MAX
1MHz TO 65MHz	-0.5 dB MAX
65MHz TO 100MHz	-0.8 dB MAX
100MHz TO 125MHz	-1.2 dB MAX

#### RET. LOSS (MIN)

0.5MHz-40MHz	-18 dB
40MHz-100MHz	-12+20LOG(f/80MHz) dB

#### CM TO CM REJ

100kHz - 100MHz	-30 dB MIN
-----------------	------------

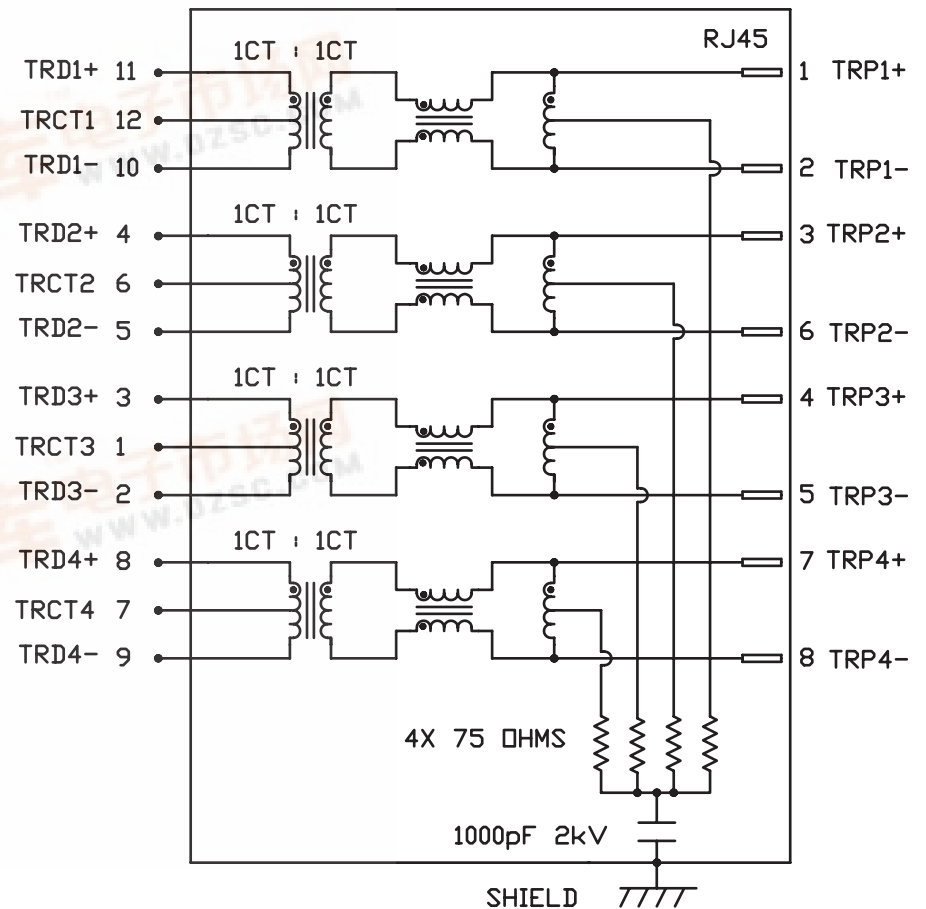
#### CM TO DM REJ

100kHz - 100MHz	-35 dB MIN
-----------------	------------

#### HIPOT (Isolation Voltage):

1500 Vrms or 2250VDC

### SCHEMATIC

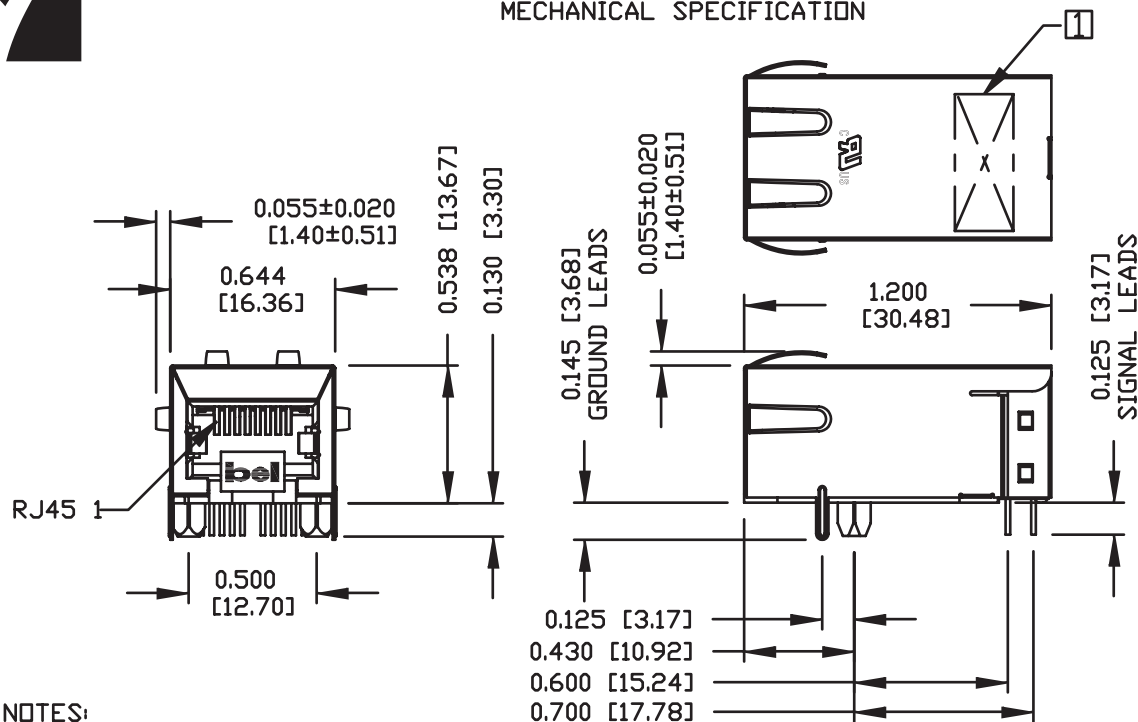


# INTEGRATED CONNECTOR MODULES

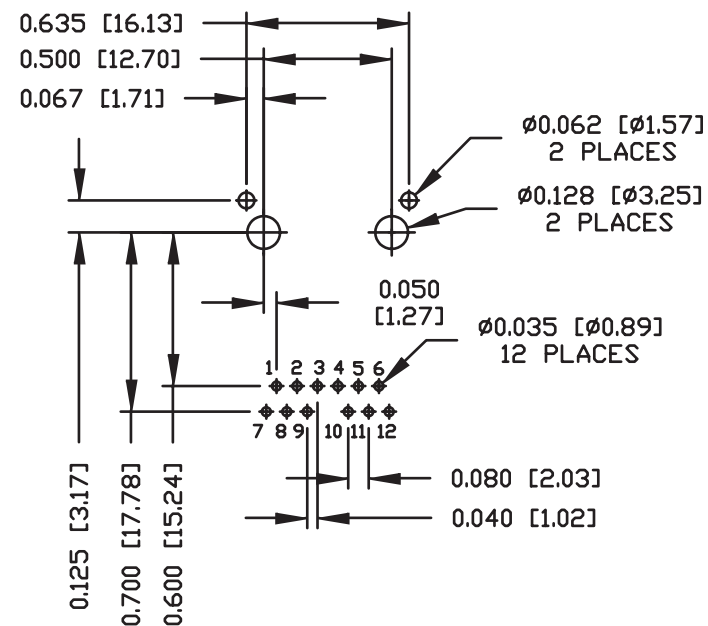
## 0813-1X1T-23-F Gigabit Ethernet Single Port MagJack®



### MECHANICAL SPECIFICATION



### RECOMMENDED PCB FOOTPRINT COMPONENT SIDE VIEW



- NOTES:
- PLASTIC HOUSING: THERMOPLASTIC PBT  
FLAMMABILITY RATING UL 94V-0
  - CONTACTS: 30 MICRO-INCH HARD GOLD PLATING  
WITH UNDERPLATING OF 50 MICRO-INCH NICKEL.
  - OUTPUT PINS: TIN-COATED COPPER WIRE, DIA 0.018 INCH.
  - METAL SHIELD: NICKEL PLATED ON COPPER ALLOY.  
(ALL GROUND LEAD ARE SOLDER DIPPED)
  - JACK CAVITY CONFORMS TO FCC RULES AND REGULATIONS.
  - ☐ MARK PART WITH MFG LOGO, MFG NAME, PART NUMBER, AND DATE CODE

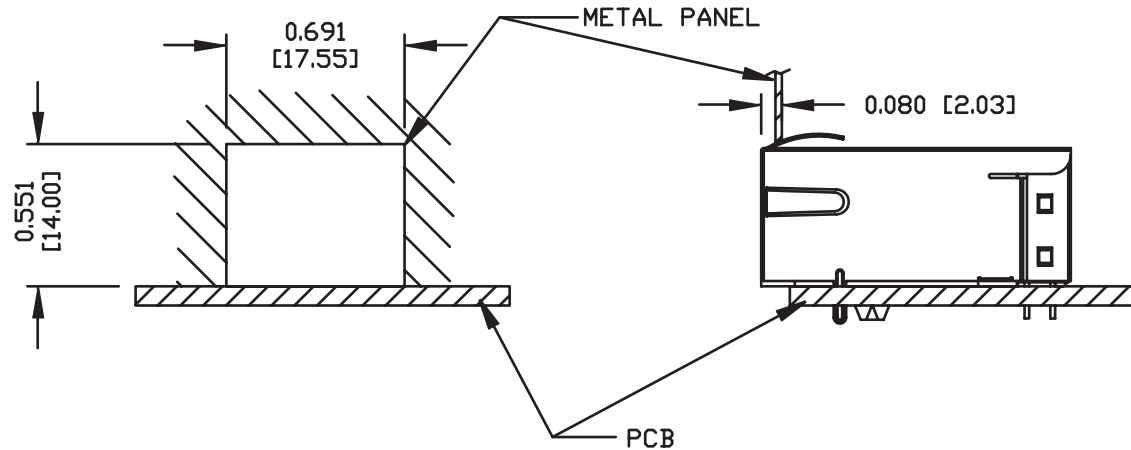
us UL RECOGNIZED - FILE #E196366 AND E169987.  
 2. ROHS COMPLIANCE, PER EU DIRECTIVE 2002/95/EC

## INTEGRATED CONNECTOR MODULES

### 0813-1X1T-23-F Gigabit Ethernet Single Port MagJack®



#### SUGGESTED PANEL OPENING



#### NOTES:

THE DISTANCE OF PANEL INSIDE SURFACE RELATIVE TO FRONT SURFACE OF PART IS ONLY A SUGGESTION. IN CASE THIS DISTANCE IS DIFFERENT, THE REQUIRED PANEL OPENING DIMENSIONS CHANGE ACCORDINGLY.

#### PACKING INFORMATION

PACKING TRAY : 0200-9999-F1(TOP)

0200-9999-F2(BOTTOM)

PACKING QUANTITY : 40 PCS FINISHED GOODS PER TRAY

10 TRAYS (400 PCS FINISHED GOODS) PER CARTON BOX

NOTES: CARDBOARDS ARE PLACED BETWEEN LAYERS OF PACKING TRAY INSIDE CARTON BOX  
(INCLUDE THE UPPERMOST AND LOWERMOST TRAY)