



## INTEGRATED CONNECTOR MODULES

### 0810-2H4R-28 10/100Base-TX MagJack® 2 x 4 with LEDs

LED POLARITY			
PIN 9	PIN 10	PIN 11	COLOR
-	+	/	GREEN
/	+	-	YELLOW

#### ELECTRICAL CHARACTERISTICS @ 25°C

##### RETURN LOSS (MIN.)

1MHz-30MHz	-18 dB
60MHz-80MHz	-12 dB

##### INSERTION LOSS

100KHz TO 100MHz	-1.1 dB
------------------	---------

##### DCL @ 0.1V, 100KHz

8mA DC BIAS	350µH MIN.
-------------	------------

##### TURNS RATIO

1CT : 1CT ±3%

##### XTALK

100KHz TO 100MHz	-35 dB MIN.
------------------	-------------

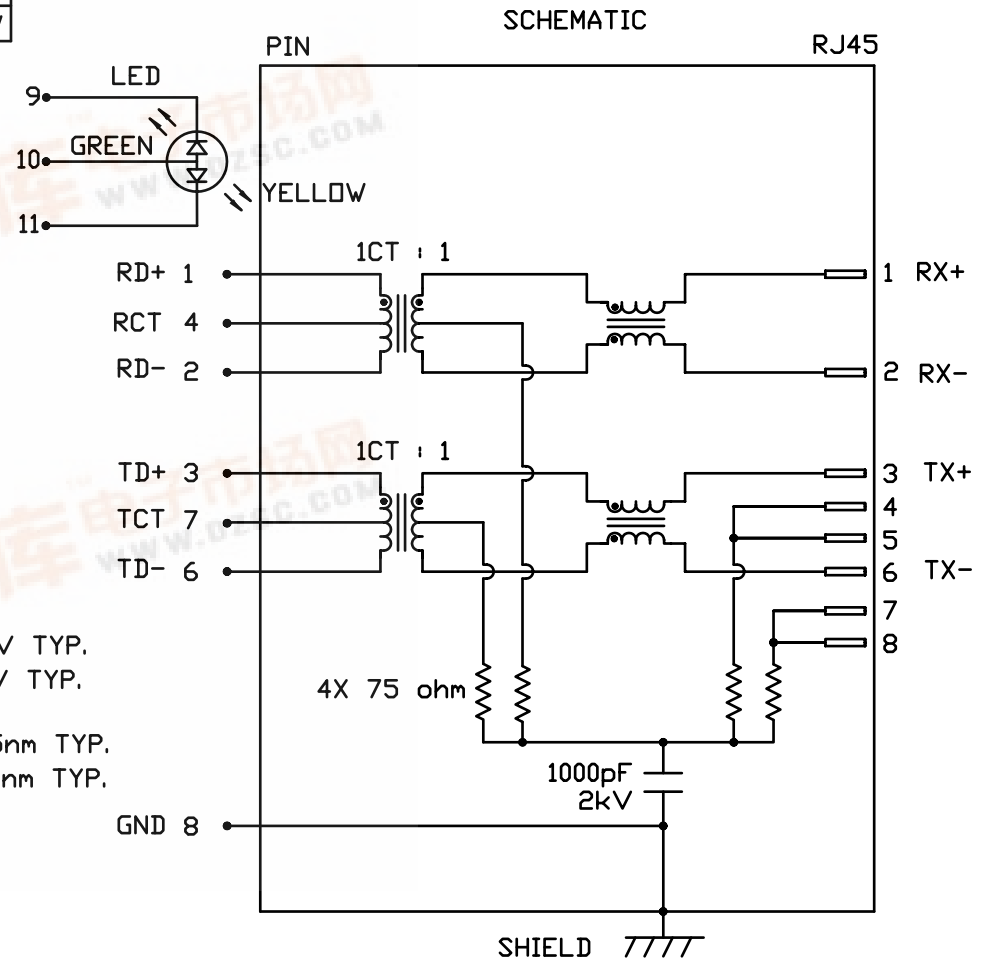
##### LED

VF (FORWARD VOLTAGE)	IF=20mA	YELLOW	GREEN	2.2V TYP. 2.1V TYP.
----------------------	---------	--------	-------	------------------------

λD (DOMINANT WAVELENGTH)	IF=20mA	YELLOW	GREEN	565nm TYP. 590nm TYP.
--------------------------	---------	--------	-------	--------------------------

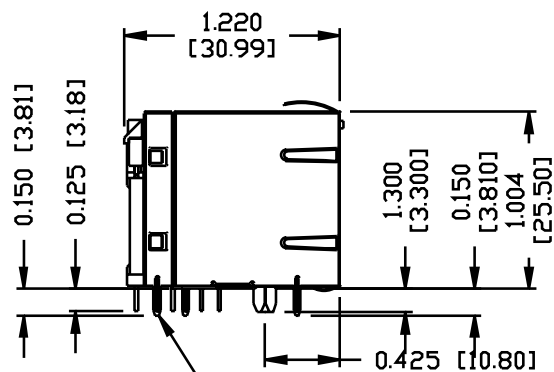
##### HIPOT (Isolation Voltage):

1500 Vrms



## INTEGRATED CONNECTOR MODULES

### 0810-2H4R-28 10/100Base-TX MagJack® 2 x 4 with LEDs



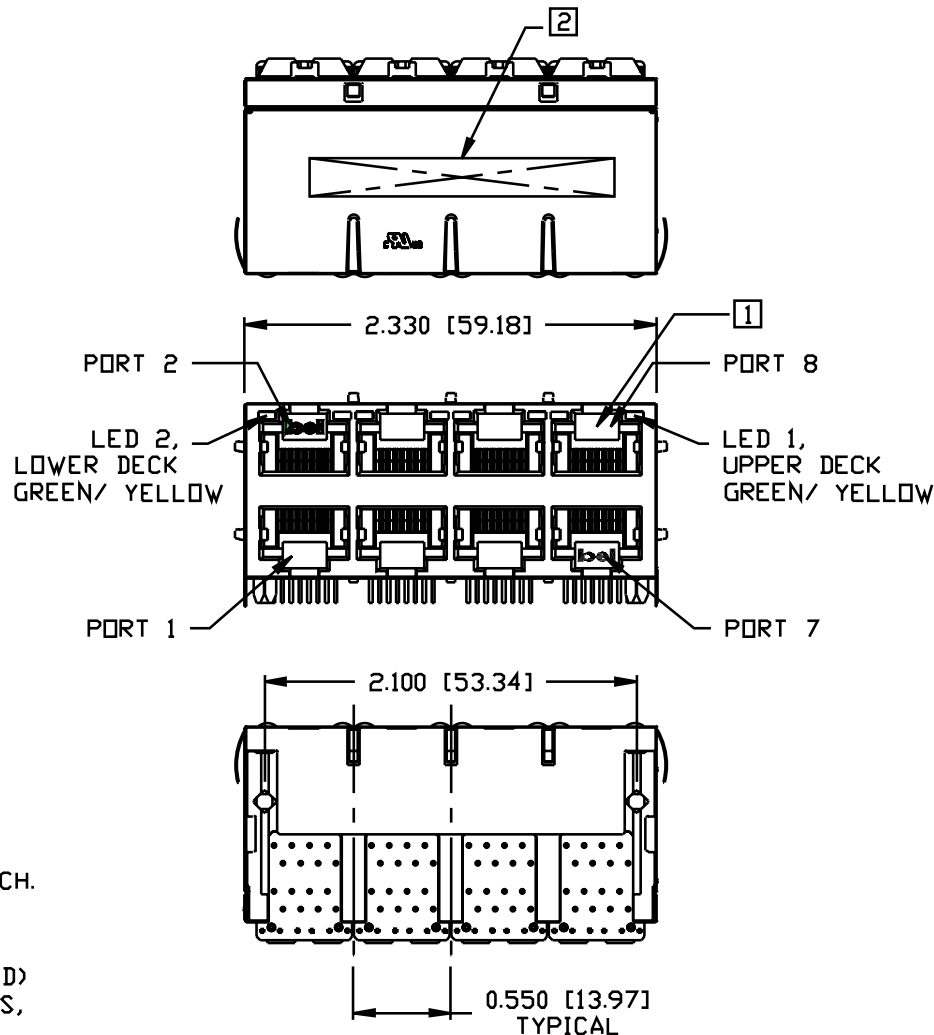
SOLDER DIPPED  
GROUND LEAD (4X)

**NOTES:**

- PLASTIC HOUSING: THERMOPLASTIC PBT  
FLAMMABILITY RATING UL 94V-0
- CONTACT PLATING: 50 MICRO-INCH HARD GOLD PLATING
- OUTPUT PINS: TIN-COATED COPPER WIRE, DIA 0.018 INCH.
- SOLDERABILITY: PER MIL STD. 202, METHOD 208.
- METAL SHIELD: NICKEL PLATED COPPER ALLOY.  
(ALL GROUND LEADS ARE SOLDER DIPPED)

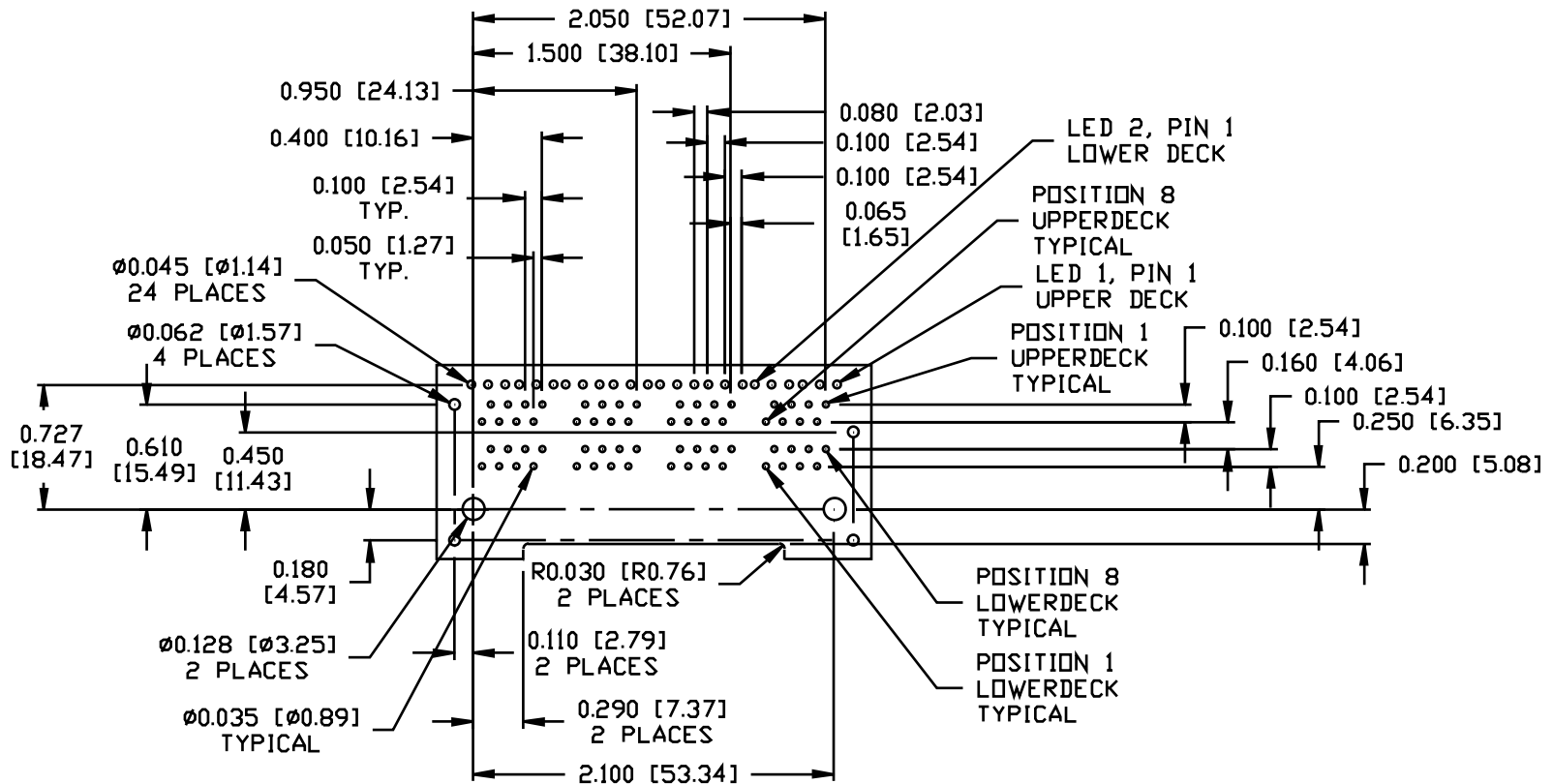
- [1] JACK CAVITY CONFORMS TO FCC RULES AND REGULATIONS, PART 68 SUBPART F.
- [2] MARK PART WITH MFG LOGO, MFG NAME, PART NUMBER, AND DATE CODE.

UL RECOGNIZED - FILE #E196366 AND E169987.



## INTEGRATED CONNECTOR MODULES

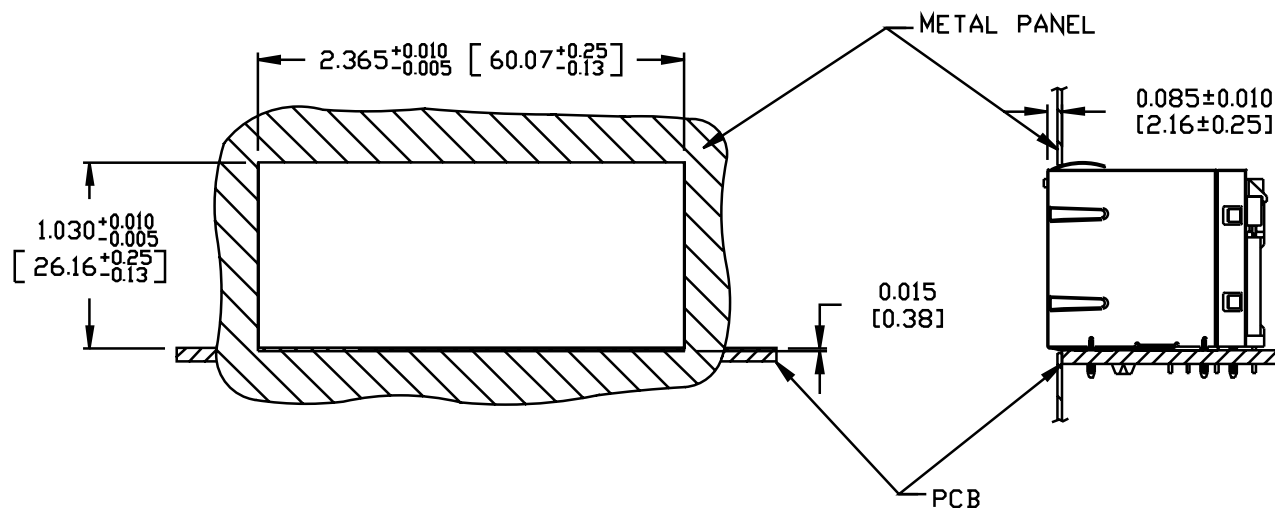
### 0810-2H4R-28 10/100Base-TX MagJack® 2 x 4 with LEDs



PC BOARD LAYOUT VIEWED FROM COMPONENT SIDE

**INTEGRATED CONNECTOR MODULES**  
**0810-2H4R-28 10/100Base-TX MagJack® 2 x 4 with LEDs**

SUGGESTED PANEL OPENING



NOTES:

THE DISTANCE OF PANEL INSIDE SURFACE RELATIVE TO FRONT SURFACE OF PART IS ONLY A SUGGESTION. IN CASE THIS DISTANCE IS DIFFERENT, THE REQUIRED PANEL OPENING DIMENSIONS CHANGE ACCORDINGLY.

PACKING INFORMATION

PACKING TRAY : 0200-0148-50 (TOP)  
 0200-0148-51 (BOTTOM)

PACKING QUANTITY : 20 PCS FINISHED GOODS PER TRAY  
 7 TRAY (140 PCS FINISHED GOODS) PER CARTON BOX

NOTE : CARDBOARDS ARE PLACED BETWEEN LAYERS OF PACKING TRAY INSIDE CARTON BOX (INCLUDE THE UPPERMOST AND LOWERMOST TRAY)