



INTEGRATED CONNECTOR MODULES

0826-1X1T-43-F Gigabit Ethernet MagJack® with LEDs



| LED1 POLARITY | | | LED2 POLARITY | | |
|---------------|--------|--------|---------------|--------|--------|
| PIN 13 | PIN 14 | COLOR | PIN 15 | PIN 16 | COLOR |
| - | + | YELLOW | + | - | ORANGE |
| / | / | / | - | + | GREEN |

ELECTRICAL CHARACTERISTICS @ 25°C

URNS RATIO

| | |
|-----|---------------|
| TP1 | 1CT : 1CT ±2% |
| TP2 | 1CT : 1CT ±2% |
| TP3 | 1CT : 1CT ±2% |
| TP4 | 1CT : 1CT ±2% |

OCL @ 100kHz/100mVRMS
8mA DC BIAS

350µH MIN.

INS. LOSS

| | |
|------------------|-------------|
| 0.1MHz TO 1MHz | -1.1 dB MAX |
| 1MHz TO 65MHz | -0.5 dB MAX |
| 65MHz TO 100MHz | -0.8 dB MAX |
| 100MHz TO 125MHz | -1.2 dB MAX |

RET. LOSS (MIN)

| | |
|--------------|-----------------------|
| 0.5MHz-40MHz | -18 dB |
| 40MHz-100MHz | -12+20LOG<f/80MHz> dB |

CROSS TALK

| | |
|-----------------|---------------------------|
| 100kHz - 100MHz | -33+20LOG<f/100MHz>dB MIN |
|-----------------|---------------------------|

CM TO CM REJ

| | |
|-----------------|------------|
| 100kHz - 100MHz | -30 dB MIN |
|-----------------|------------|

CM TO DM REJ

| | |
|-----------------|------------|
| 100kHz - 100MHz | -35 dB MIN |
|-----------------|------------|

HIPOT (Isolation Voltage):

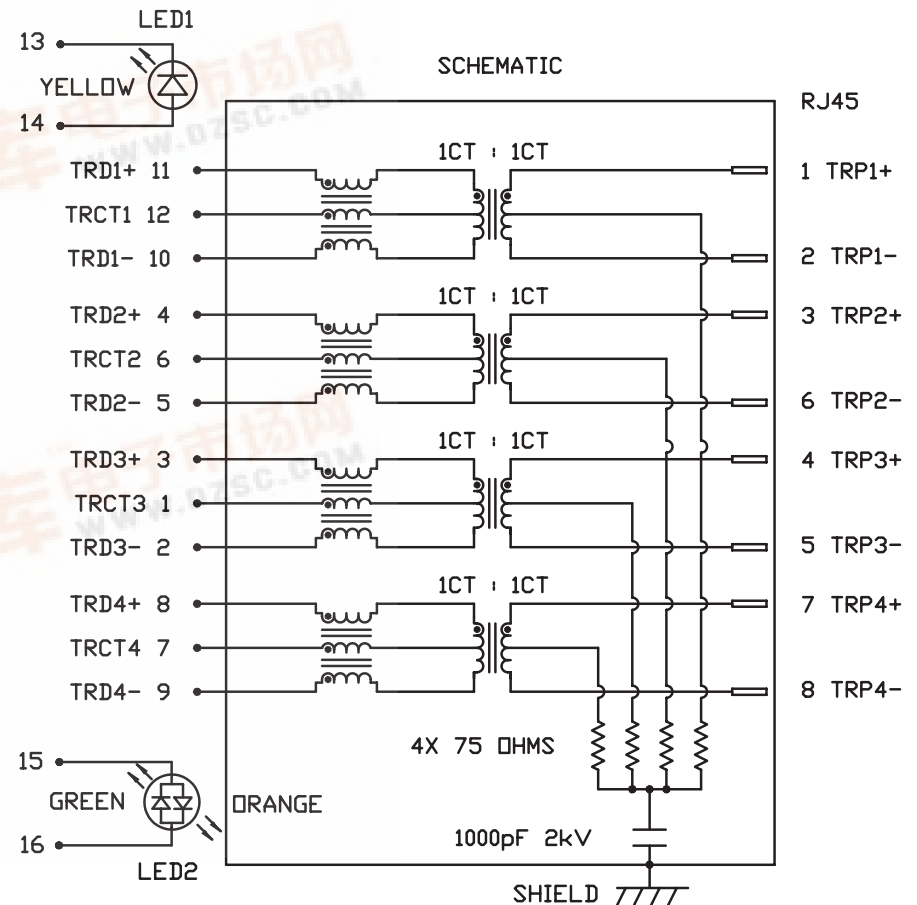
1500 Vrms

LED 1

| | | | |
|--------------------------------------|---------|--------|------------|
| V _F (FORWARD VOLTAGE) | IF=20mA | YELLOW | 2.1V TYP. |
| λ _D (DOMINANT WAVELENGTH) | IF=20mA | YELLOW | 590nm TYP. |

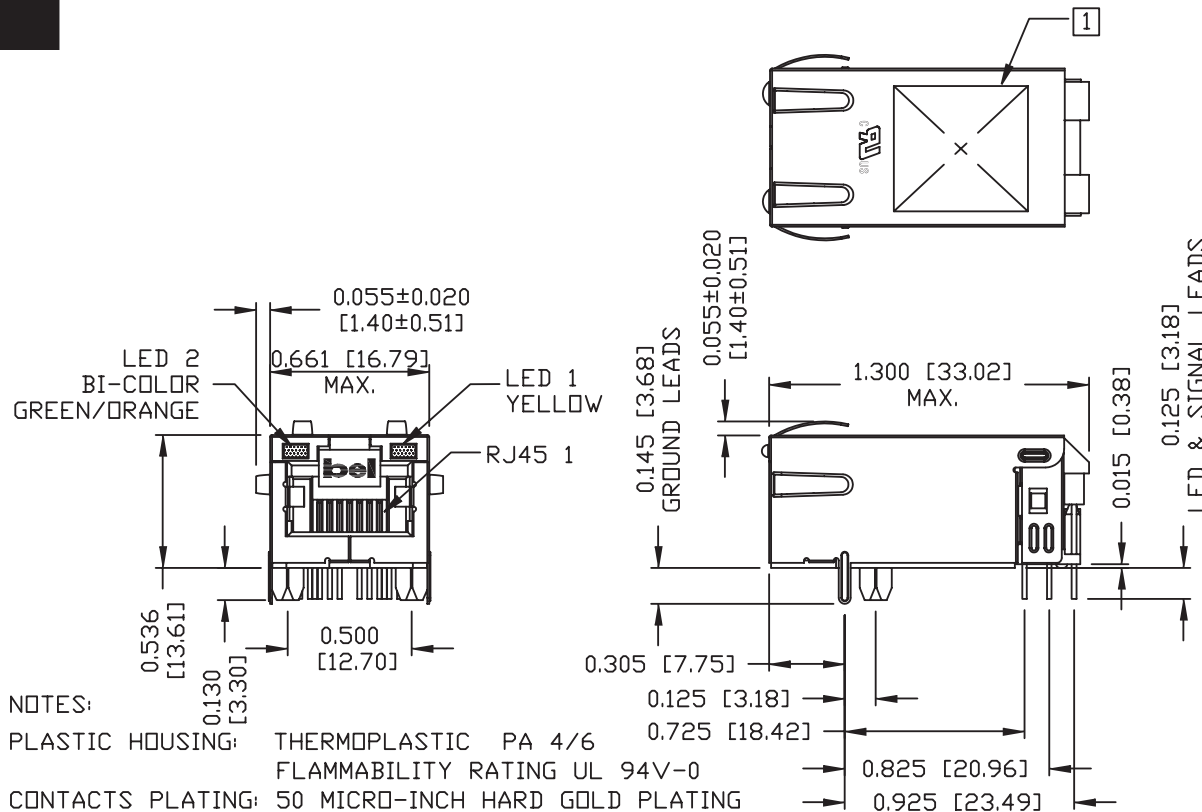
LED 2

| | | | |
|--------------------------------------|---------|--------|------------|
| V _F (FORWARD VOLTAGE) | IF=20mA | GREEN | 2.2V TYP. |
| | | ORANGE | 2.0V TYP. |
| λ _D (DOMINANT WAVELENGTH) | IF=20mA | GREEN | 565nm TYP. |
| | | ORANGE | 610nm TYP. |

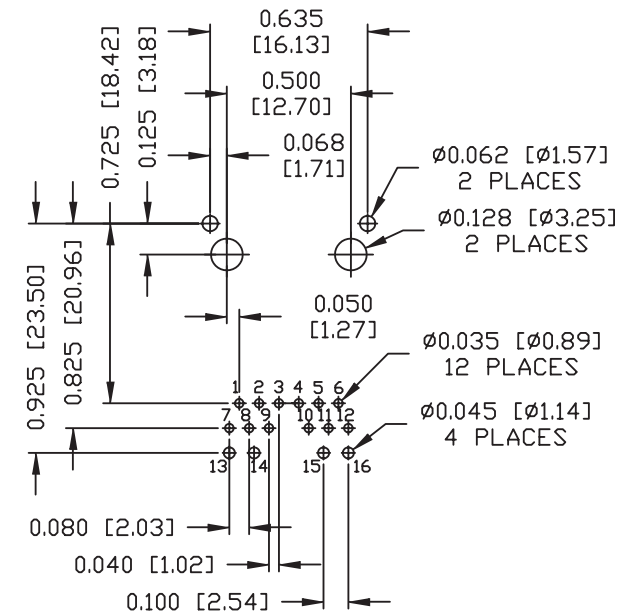


INTEGRATED CONNECTOR MODULES

0826-1X1T-43-F Gigabit Ethernet MagJack® with LEDs



RECOMMENDED PCB FOOTPRINT
COMPONENT SIDE VIEW



NOTES:

- PLASTIC HOUSING: THERMOPLASTIC PA 4/6
FLAMMABILITY RATING UL 94V-0
- CONTACTS PLATING: 50 MICRO-INCH HARD GOLD PLATING
- OUTPUT PINS: TIN-COATED COPPER WIRE, DIA 0.018 INCH.
- METAL SHIELD: NICKEL PLATED ON COPPER ALLOY.
(ALL GROUND LEADS ARE SOLDER DIPPED)
- RoHS COMPLIANT, PER EU DIRECTIVE 2002/95/EC

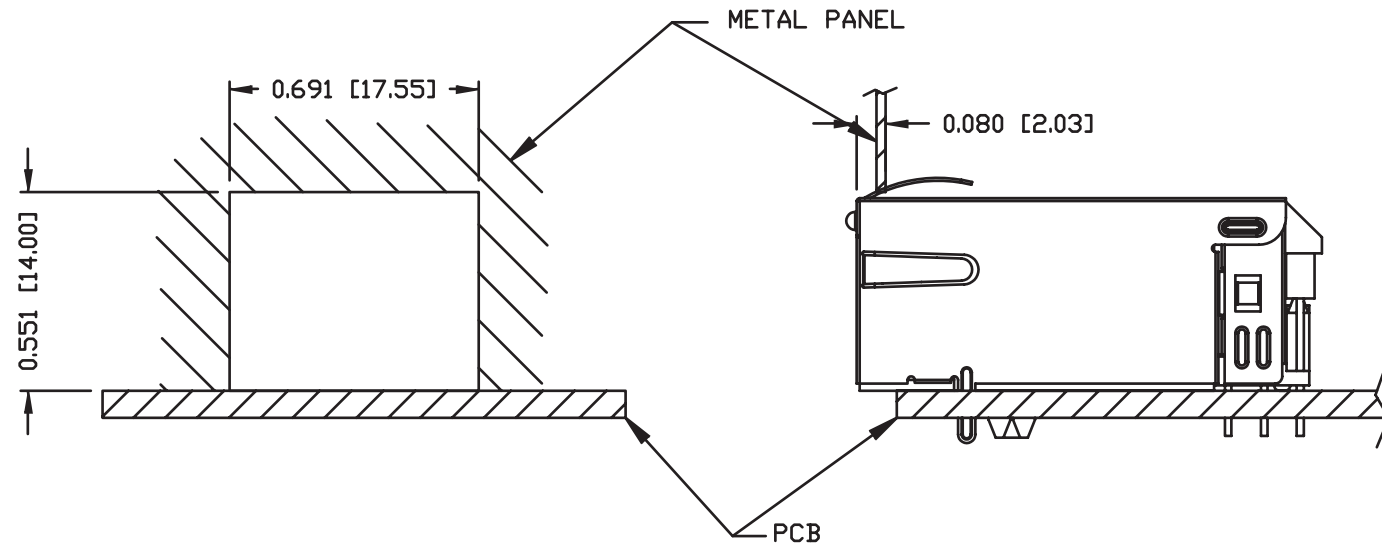
1. MARK PART WITH MFG LOGO, MFG NAME, PART NUMBER, AND DATE CODE.

US UL RECOGNIZED - FILE #E196366 AND E169987.

INTEGRATED CONNECTOR MODULES
0826-1X1T-43-F Gigabit Ethernet MagJack® with LEDs



SUGGESTED PANEL OPENING



NOTE:

THE DISTANCE OF PANEL INSIDE SURFACE RELATIVE TO FRONT SURFACE OF PART IS ONLY A SUGGESTION. IN CASE THIS DISTANCE IS DIFFERENT, THE REQUIRED PANEL OPENING DIMENSIONS CHANGE ACCORDINGLY.

PACKING INFORMATION

PACKING TRAY : 0200-9999-F6 (TOP)
 0200-9999-F7 (BOTTOM)

PACKING QUANTITY : 40 PCS FINISHED GOODS PER TRAY
 10 TRAYS (400 PCS FINISHED GOODS) PER CARTON BOX

NOTE : CARDBOARDS ARE PLACED BETWEEN LAYERS OF PACKING TRAY INSIDE CARTON BOX
 (INCLUDE THE UPPERMOST AND LOWERMOST TRAY)