



INTEGRATED CONNECTOR MODULES

2 x n Multi-port Gigabit belStack™

BM02832

- Multi-port shielded RJ-45 connector with integrated Gigabit Ethernet magnetics
- Compatible with a variety of Gigabit Ethernet transceiver ICs and 10/100Base-TX transceiver ICs
- Operating temperature 0° to +70° C
- Storage temperature -40° to +85° C
- Complies with IEEE 802.3ab standards and all Gigabit Ethernet specifications
- Integrated design conserves valuable board space
- Minimum interwinding breakdown voltage of 1500 Vrms
- Adaptable, modular design provides higher reliability

ELECTRICAL SPECIFICATIONS AT 25° C

| Part Number | Insertion Loss dB max | | Return Loss dB min | | Common to Differential Mode Rejection dB min | Common to Common Mode Rejection dB min | Crosstalk dB min | Hipot Vrms min |
|--------------|-----------------------|------------------|--------------------|-------------------------|--|--|-------------------------|----------------|
| | 0.1MHz to 100MHz | 100MHz to 125MHz | 0.5MHz to 40MHz | 40MHz to 100MHz | 100KHz to 100MHz | 100KHz to 100MHz | | |
| 0833-2X4R-33 | -0.8 | -1.2 | -18 | -12 + 20 log (f/80 MHz) | -35 | -30 | -33 + 20 log (f/100MHz) | 1500 |
| 0833-2X6R-33 | -0.8 | -1.2 | -18 | -12 + 20 log (f/80 MHz) | -35 | -30 | -33 + 20 log (f/100MHz) | 1500 |
| 0833-2X8R-33 | -0.8 | -1.2 | -18 | -12 + 20 log (f/80 MHz) | -35 | -30 | -33 + 20 log (f/100MHz) | 1500 |
| 0833-2X4R-54 | -0.8 | -1.2 | -18 | -12 + 20 log (f/80 MHz) | -35 | -30 | -33 + 20 log (f/100MHz) | 1500 |
| 0833-2X6R-54 | -0.8 | -1.2 | -18 | -12 + 20 log (f/80 MHz) | -35 | -30 | -33 + 20 log (f/100MHz) | 1500 |
| 0833-2X8R-54 | -0.8 | -1.2 | -18 | -12 + 20 log (f/80 MHz) | -35 | -30 | -33 + 20 log (f/100MHz) | 1500 |

Available Options

- Various transformer turns ratios
- Various high voltage capacitor values





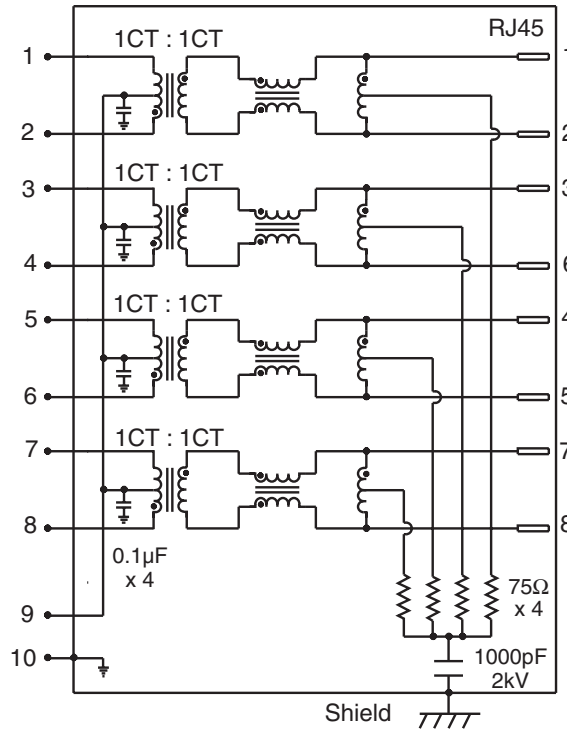
INTEGRATED CONNECTOR MODULES

2 x n Multi-port Gigabit belStack™

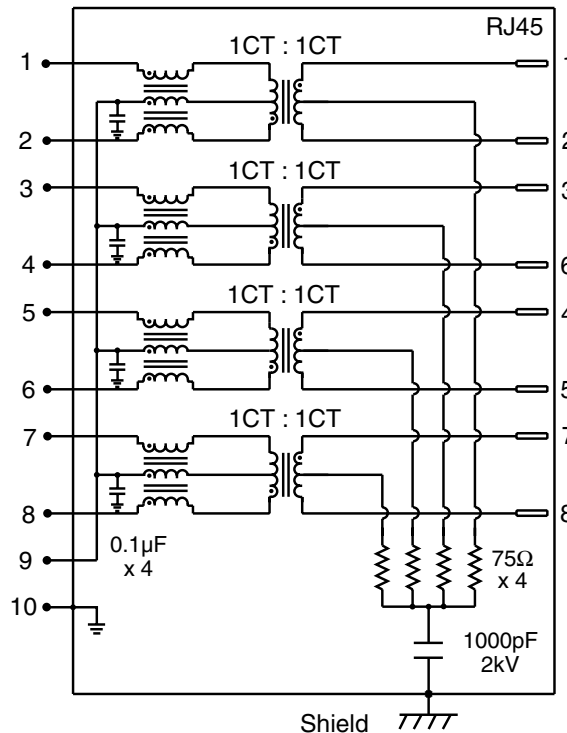
BM02832

SCHEMATICS

0833-2X4R-33
0833-2X6R-33
0833-2X8R-33



0833-2X4R-54
0833-2X6R-54
0833-2X8R-54



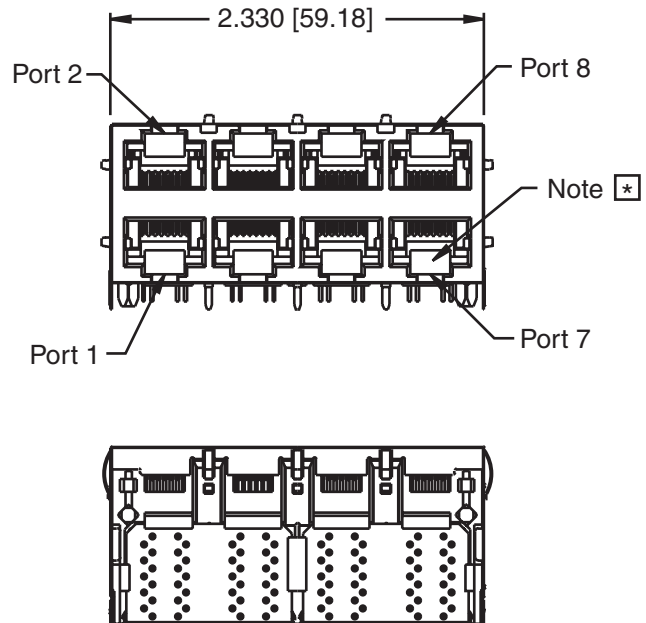
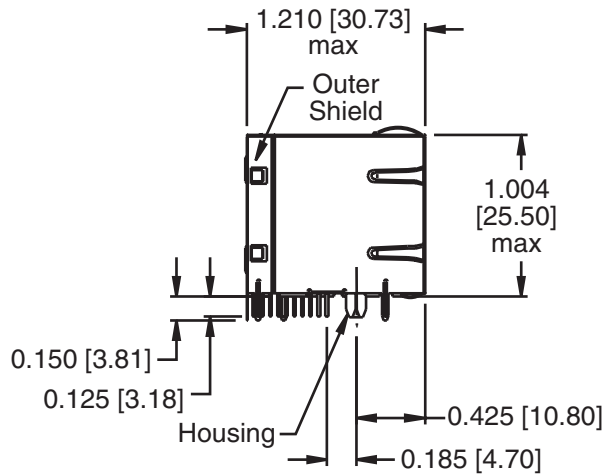
INTEGRATED CONNECTOR MODULES

2 x n Multi-port Gigabit belStack™

BM02832

MECHANICAL

0833-2X4R-33
0833-2X4R-54



Dimensions are in inches [millimeters].
Standard dimension tolerance is ± 0.010 [0.25] unless otherwise noted.

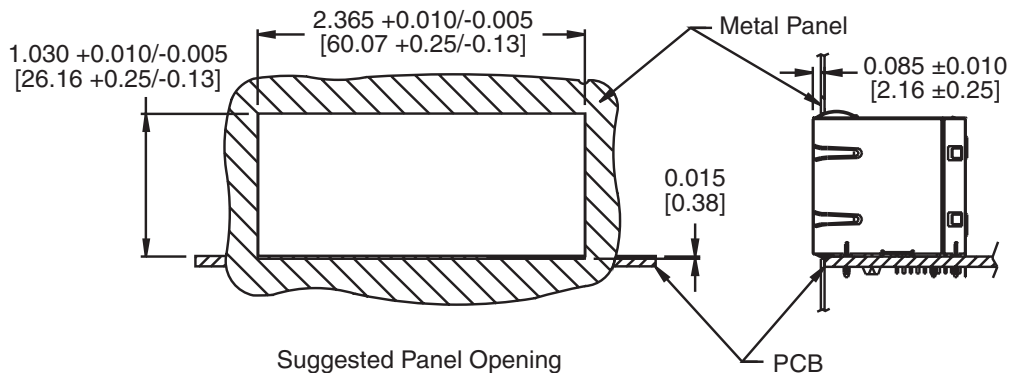
Notes

| | |
|-----------------|---|
| Plastic Housing | Thermoplastic, flammability rating UL 94V-0 |
| Contacts | 50 micro-inch hard gold plating |
| Pins | Tin-coated copper wire, DIA 0.018" [0.46] |
| Solderability | Per MIL Std. 202, Method 208 |
| Metal Shield | Nickel plated copper alloy |

Packing Quantity

20 pieces finished goods per tray
7 trays per carton box for a total of
140 pieces of finished goods

*Jack cavity conforms to FCC rules and regulations, part 68, subpart F.





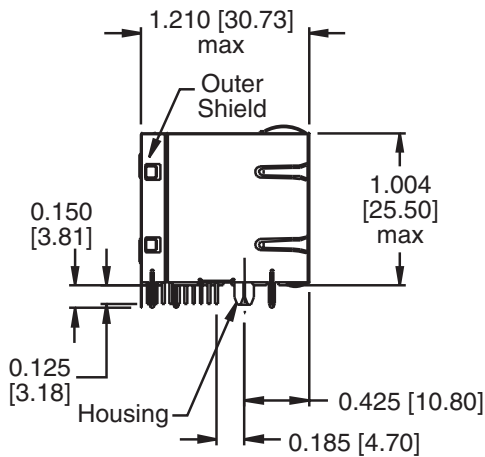
INTEGRATED CONNECTOR MODULES

2 x n Multi-port Gigabit belStack™

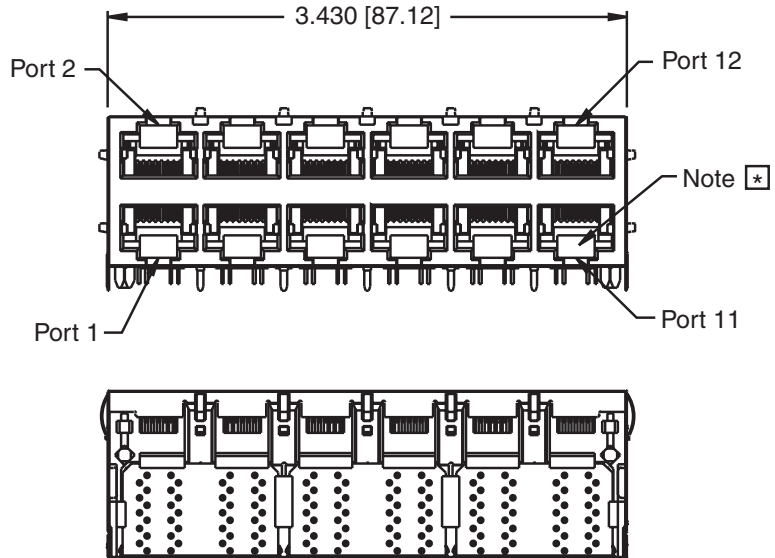
BM02832

MECHANICAL

0833-2X6R-33
0833-2X6R-54



Dimensions are in inches [millimeters].
Standard dimension tolerance is ± 0.010 [0.25] unless otherwise noted.



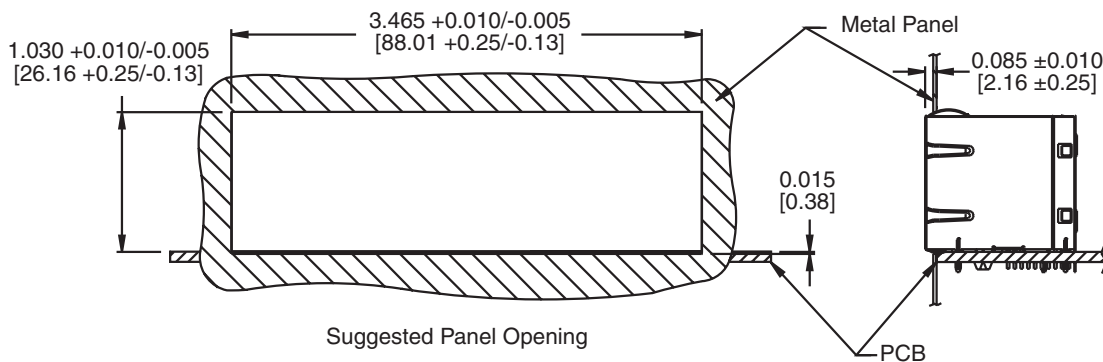
Notes

| | |
|-----------------|---|
| Plastic Housing | Thermoplastic, flammability rating UL 94V-0 |
| Contacts | 50 micro-inch hard gold plating |
| Pins | Tin-coated copper wire, DIA 0.018" [0.46] |
| Solderability | Per MIL Std. 202, Method 208 |
| Metal Shield | Nickel plated copper alloy |

Packing Quantity

15 pieces finished goods per tray
7 trays per carton box for a total of
105 pieces of finished goods

*Jack cavity conforms to FCC rules and regulations, part 68, subpart F.





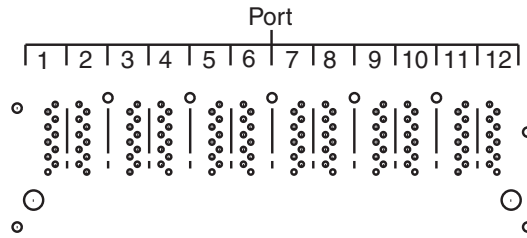
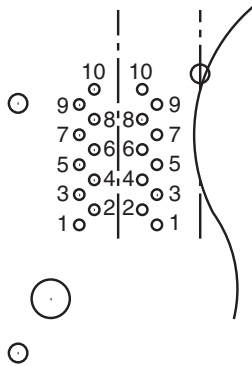
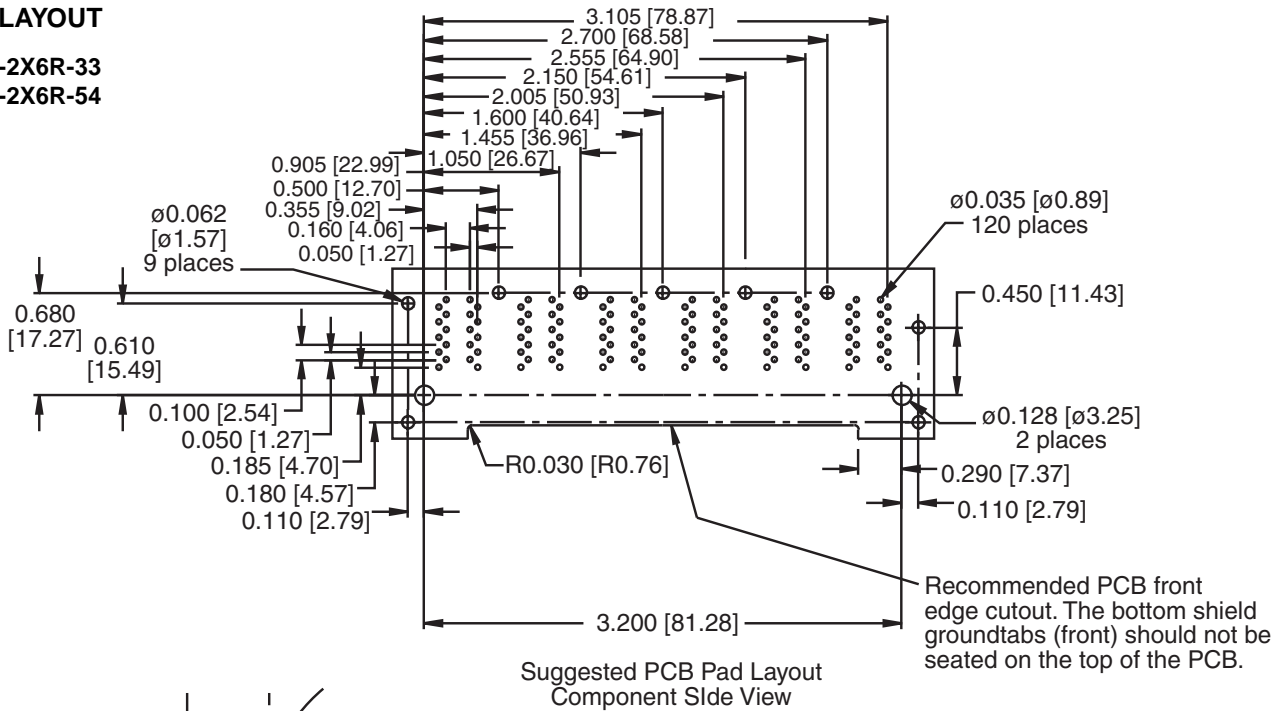
INTEGRATED CONNECTOR MODULES

2 x n Multi-port Gigabit belStack™

BM02832

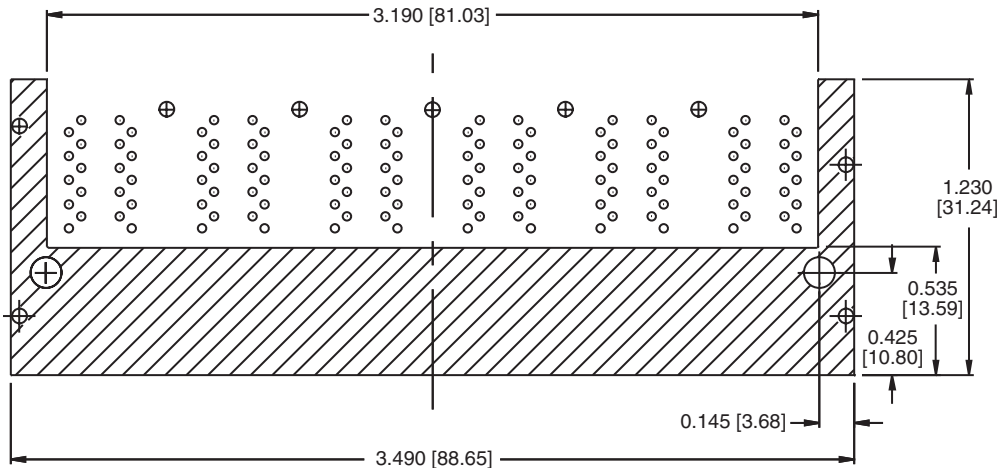
PAD LAYOUT

0833-2X6R-33
0833-2X6R-54



Note

The shaded area of bottom side of part may be covered by metal shield.





INTEGRATED CONNECTOR MODULES

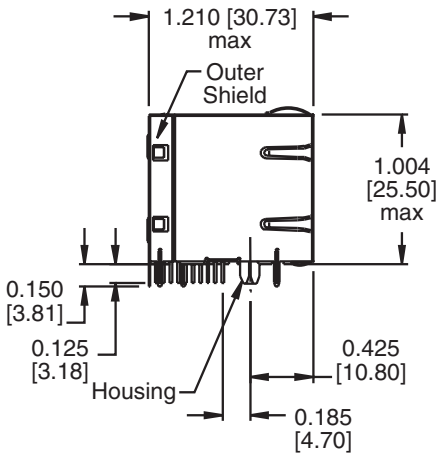
2 x n Multi-port Gigabit belStack™

BM02832

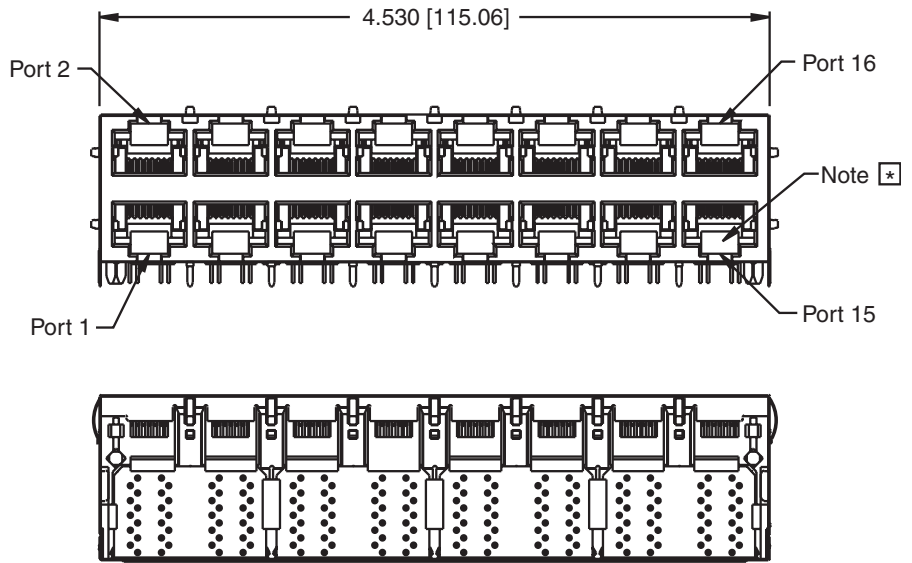
MECHANICAL

0833-2X8R-33

0833-2X8R-54



Dimensions are in inches [millimeters].
Standard dimension tolerance is ± 0.010 [0.25] unless otherwise noted.



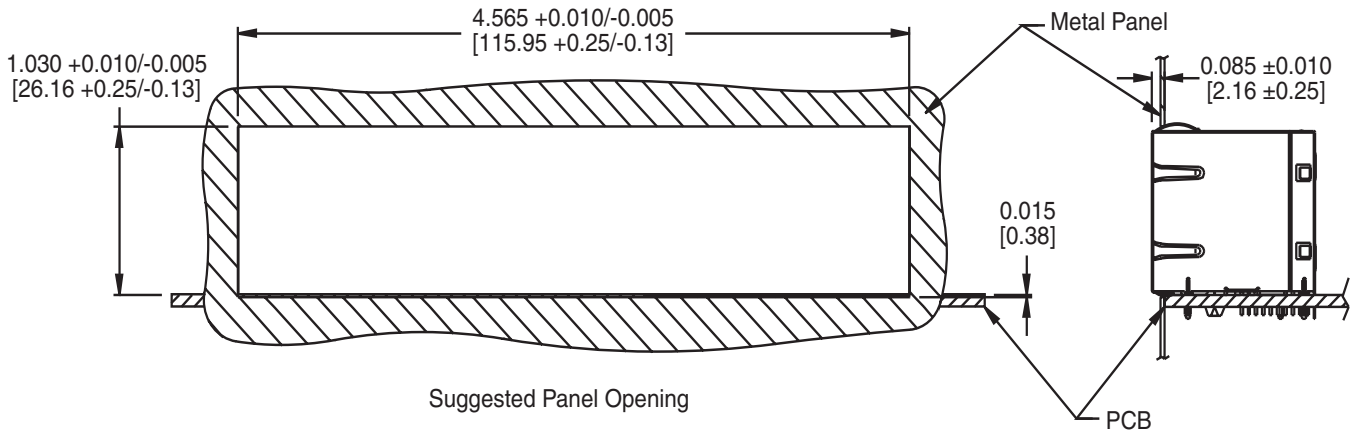
Notes

| | |
|-----------------|---|
| Plastic Housing | Thermoplastic, flammability rating UL 94V-0 |
| Contacts | 50 micro-inch hard gold plating |
| Pins | Tin-coated copper wire, DIA 0.018" [0.46] |
| Solderability | Per MIL Std. 202, Method 208 |
| Metal Shield | Nickel plated copper alloy |

Packing Quantity

10 pieces finished goods per tray
7 trays per carton box for a total of
70 pieces of finished goods

*Jack cavity conforms to FCC rules and regulations, part 68, subpart F.





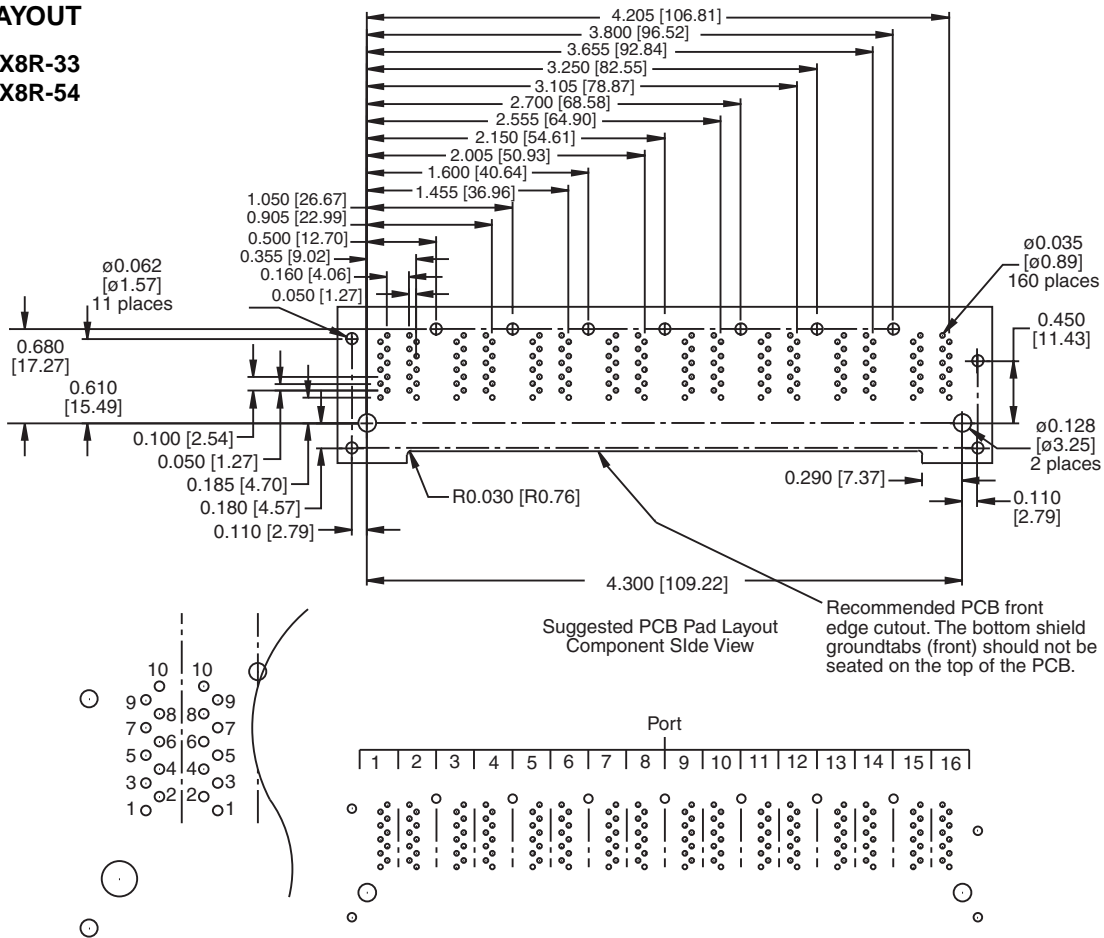
INTEGRATED CONNECTOR MODULES

2 x n Multi-port Gigabit belStack™

BM02832

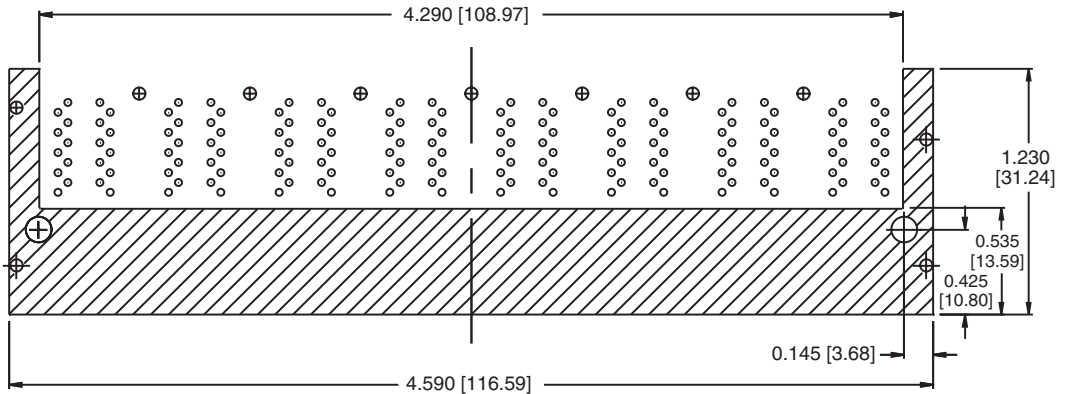
PAD LAYOUT

0833-2X8R-33
0833-2X8R-54



Note

The shaded area of bottom side of part may be covered by metal shield.



©2002 Bel Fuse Inc. Specifications subject to change without notice. 07.04

CORPORATE

Bel Fuse Inc.
206 Van Vorst Street
Jersey City, NJ 07302
Tel 201-432-0463
Fax 201-432-9542
www.belfuse.com

FAR EAST

Bel Fuse Ltd.
8F / 8 Luk Hop Street
San Po Kong
Kowloon, Hong Kong
Tel 852-2328-5515
Fax 852-2352-3706
www.belfuse.com

EUROPE

Bel Fuse Europe Ltd.
Preston Technology Management Centre
Marsh Lane, Suite G7, Preston
Lancashire, PR1 8UD, U.K.
Tel 44-1772-556601
Fax 44-1772-888366
www.belfuse.com