



# 50 mA Switched Capacitor Voltage Boost with Regulated Output

## ADP3607

### FEATURES

- Fully Regulated Output Voltage (5 V and Adjustable)
- Input Voltage Range From 3 V to 5 V
- 50 mA Output Current
- Output Accuracy:  $\pm 5\%$
- High Switching Frequency: 250 kHz
- SO-8 and TSSOP-8 Packages
- 40°C to +85°C Ambient Temperature Range

### APPLICATIONS

- Computer Peripherals and Add-On Cards
- Portable Instruments
- Battery Powered Devices
- Pagers and Radio Control Receivers
- Disk Drives
- Mobile Phones

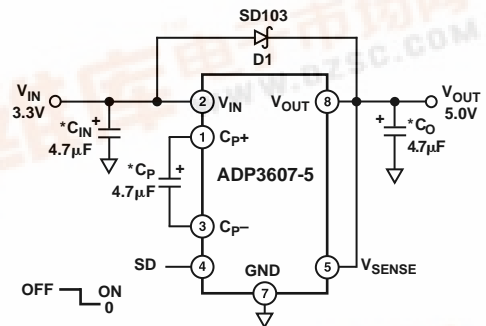
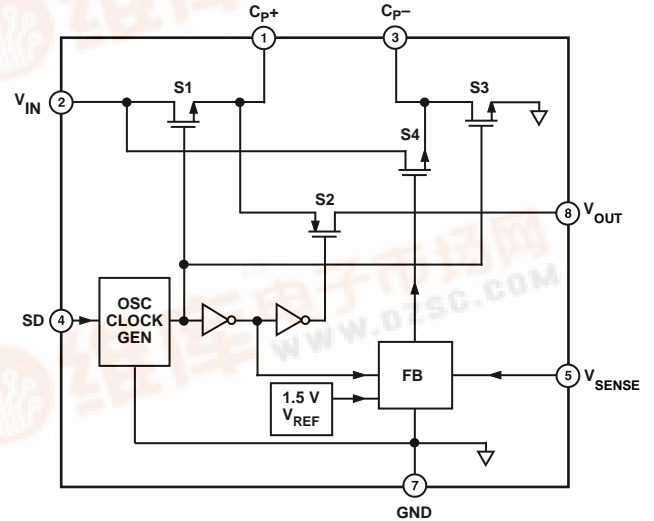
### GENERAL DESCRIPTION

The ADP3607 is a 50 mA regulated output switched capacitor voltage doubler. It provides a regulated output voltage with minimum voltage loss and requires a minimum number of external components. In addition, the ADP3607 does not require the use of an inductor.

The internal oscillator of the ADP3607 runs at 500 kHz nominal frequency, which produces an output switching frequency of 250 kHz. This allows for the use of smaller charge pump and filter capacitors.

The ADP3607 provides an accuracy of  $\pm 5\%$  with a typical shut-down current of 150  $\mu\text{A}$ . It can also operate from a single positive input voltage as low as 3 V. The ADP3607 is offered with the regulation fixed at 5 V, or adjustable via external resistors over a 3 V to 9 V range.

### FUNCTIONAL BLOCK DIAGRAM



\*FOR BEST PERFORMANCE, 10 $\mu\text{F}$  IS RECOMMENDED  
 Cp: SPRAGUE, 293D475X0010B2W  
 Cin, Co: TOKIN, 1E475ZY5UC205F

Figure 1. Typical Application Circuit



REV. 0

Information furnished by Analog Devices is believed to be accurate and reliable. However, no responsibility is assumed by Analog Devices for its use, nor for any infringements of patents or other rights of third parties which may result from its use. No license is granted by implication or otherwise under any patent or patent rights of Analog Devices.

# ADP3607—SPECIFICATIONS<sup>1, 2, 3</sup> (V<sub>IN</sub> = 3.3 V @ T<sub>A</sub> = +25°C, C<sub>P</sub> = C<sub>O</sub> = 4.7 μF unless otherwise noted.)

Parameter	Symbol	Condition	Min	Typ	Max	Units
OPERATING SUPPLY RANGE	V <sub>S</sub>		3.0	3.3	5	V
SUPPLY CURRENT Shutdown Mode	I <sub>S</sub>	-40°C < T <sub>A</sub> < +85°C V <sub>SD</sub> = V <sub>IN</sub> , -40°C < T <sub>A</sub> < +85°C		3.5 150	6 200	mA μA
OUTPUT VOLTAGE <sup>4</sup>	V <sub>O</sub> V <sub>O</sub>	I <sub>O</sub> = 25 mA I <sub>O</sub> = 10 mA to 50 mA -40°C ≤ T <sub>A</sub> ≤ +85°C 3.0 V ≤ V <sub>S</sub> ≤ 3.6 V	4.85 4.75	5 5	5.15 5.25	V V
LOAD REGULATION	ΔV <sub>O</sub> /I <sub>O</sub>	I <sub>O</sub> = 10 mA–25 mA I <sub>O</sub> = 10 mA–50 mA		0.3 0.25		mV/mA mV/mA
OUTPUT RESISTANCE (Open Loop)	R <sub>O</sub>			11		Ω
OUTPUT RIPPLE VOLTAGE	V <sub>RIPPLE</sub>	C <sub>IN</sub> = C <sub>O</sub> = 4.7 μF I <sub>LOAD</sub> = 25 mA I <sub>LOAD</sub> = 50 mA		16 31		mV mV
SWITCHING FREQUENCY	f <sub>S</sub>	V <sub>IN</sub> = 3.3 V -40°C < T <sub>A</sub> < +85°C	212	250	288	kHz
SHUTDOWN Logic Input High Input Current Logic Input Low Input Current	V <sub>IH</sub> I <sub>IH</sub> V <sub>IL</sub> I <sub>IL</sub>		2.4	1 1	0.4	V μA V μA

## NOTES

<sup>1</sup>Capacitors C<sub>IN</sub>, C<sub>O</sub> and C<sub>P</sub> in the test circuit are 4.7 μF with 0.1 Ω ESR. Capacitors with higher ESR may reduce output voltage and efficiency.

<sup>2</sup>See Figure 1 conditions.

<sup>3</sup>All limits at temperature extremes are guaranteed via correlation using standard Statistical Quality Control (SQC) methods.

<sup>4</sup>For the adjustable version, a 1% resistor should be used to maintain output voltage tolerance. For both device types, tolerances can be improved by >1% using larger value and lower ESR capacitors for C<sub>O</sub> and C<sub>P</sub>.

Specifications subject to change without notice.

## ABSOLUTE MAXIMUM RATINGS<sup>1</sup>

(T<sub>A</sub> = +25°C unless otherwise noted)

Input Voltage (V <sub>IN</sub> to GND)	+7.5 V
Output Voltage (V <sub>OUT</sub> to GND)	+12 V
Output Short Circuit Protection	1 sec
θ <sub>JA</sub> , SO-8 Package <sup>2</sup>	150°C/W
θ <sub>JA</sub> , TSSOP-8 Package <sup>2</sup>	208°C/W
Operating Temperature Range	-40°C to +85°C
Storage Temperature Range	-65°C to +150°C
Lead Temperature Range (Soldering 10 sec)	+300°C
Vapor Phase (60 sec)	+215°C
Infrared (15 sec)	+220°C

## NOTES

<sup>1</sup>This is a stress rating only, operation beyond these limits can cause the device to be permanently damaged.

<sup>2</sup>θ<sub>JA</sub> is specified for worst case conditions with device soldered on a circuit board.

## CAUTION

ESD (electrostatic discharge) sensitive device. Electrostatic charges as high as 4000 V readily accumulate on the human body and test equipment and can discharge without detection. Although the ADP3607 features proprietary ESD protection circuitry, permanent damage may occur on devices subjected to high energy electrostatic discharges. Therefore, proper ESD precautions are recommended to avoid performance degradation or loss of functionality.

## ORDERING GUIDE

Model	Output Voltage	Package Option*
ADP3607AR-5	5 V, 50 mA	SO-8
ADP3607AR	Adjustable, 50 mA	SO-8
ADP3607ARU-5	5 V, 50 mA	RU-8
ADP3607ARU	Adjustable, 50 mA	RU-8

\*SO = Small Outline Package; RU = Thin Small Outline Package.

Contact the factory for the availability of other output voltage options.



**Table I. Other Members of ADP360x Family<sup>1</sup>**

Model	Output Current	Package Option <sup>2</sup>	Comments
ADP3603AR	50 mA	SO-8	Nom. -3 V ± 3% Inverter
ADP3604AR	120 mA	SO-8	Nom. -3 V ± 3% Inverter
ADP3605AR-3	120 mA	SO-8	Nom. -3 V ± 5% Inverter
ADP3605AR	120 mA	SO-8	Adj. Output Inverter

**NOTES**

<sup>1</sup>See individual data sheets for detailed ordering information.

<sup>2</sup>SO = Small Outline package.

**Table II. Alternative Capacitor Technologies**

Type	Life	High Freq	Temp	Size	Cost
Aluminum Electrolytic Capacitor	Fair	Fair	Fair	Small	Low
Multilayer Ceramic Capacitor	Long	Good	Poor	Fair	High
Solid Tantalum Capacitor	Above Avg	Avg	Avg	Avg	Avg
OS-CON Capacitor	Above Avg	Good	Good	Good	Avg

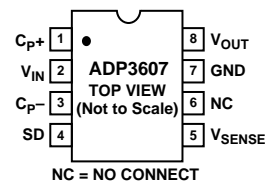
**Table III. Recommended Capacitor Manufacturers**

Manufacturer	Capacitor	Capacitor Type
Sprague	672D, 673D, 674D, 678D	Aluminum Electrolytic
Sprague	675D, 173D, 199D	Tantalum
Nichicon	PF and PL	Aluminum Electrolytic
Mallory	TDC and TDL	Tantalum
TOKIN	MLCC	Multilayer Ceramic
MuRata	GRM	Multilayer Ceramic

**PIN FUNCTION DESCRIPTIONS**

Pin	Mnemonic	Function
1	C <sub>P+</sub>	Positive Terminal for the Pump Capacitor.
2	V <sub>IN</sub>	Input Voltage. Connect a low ESR bypass capacitor between this pin and device ground to minimize supply transients.
3	C <sub>P-</sub>	Negative Terminal for the Pump Capacitor.
4	SD	Logic Level Shutdown. Apply a logic Hi or connect to V <sub>IN</sub> to shut down the device. In Shutdown mode, the charge pump is turned off and quiescent current is reduced. Apply a logic low or connect to ground for normal operation.
5	V <sub>SENSE</sub>	Output Voltage Sense Line. This is used to improve load regulation by eliminating IR drops on the high current carrying output traces. For normal operation, connect V <sub>SENSE</sub> to V <sub>OUT</sub> . See Application Information section for more detail.
6	NC	No Connection.
7	GND	Ground.
8	V <sub>OUT</sub>	Regulated Output Voltage. Connect a low ESR, 4.7 μF or larger capacitor between this pin and device GND.

**PIN CONFIGURATION**



# ADP3607 – Typical Performance Characteristics

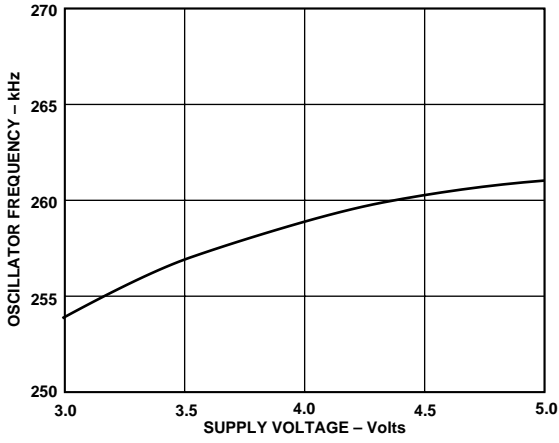


Figure 2. Oscillator Frequency vs. Supply Voltage

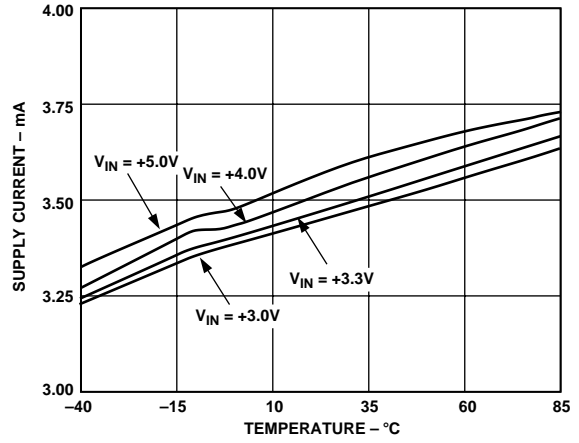


Figure 5. Supply Current vs. Temperature in Normal Mode

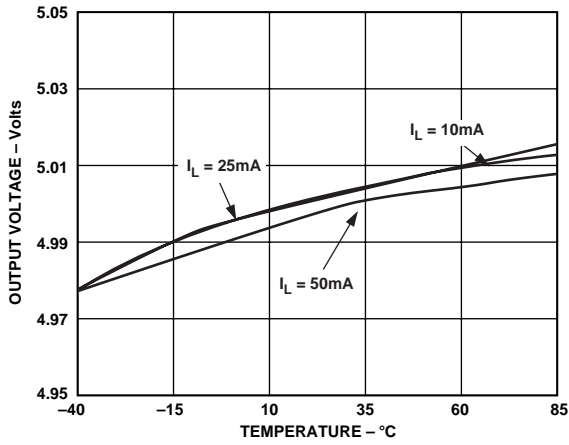


Figure 3. Output Voltage vs. Temperature

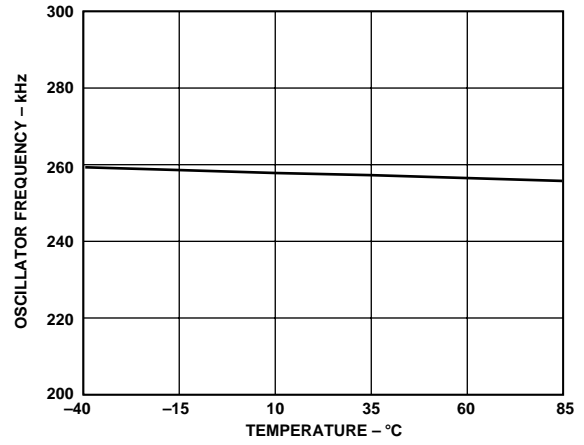


Figure 6. Oscillator Frequency vs. Temperature

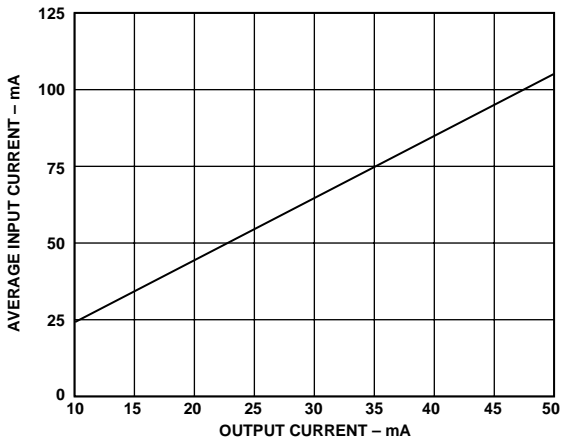


Figure 4. Average Input Current vs. Output Current

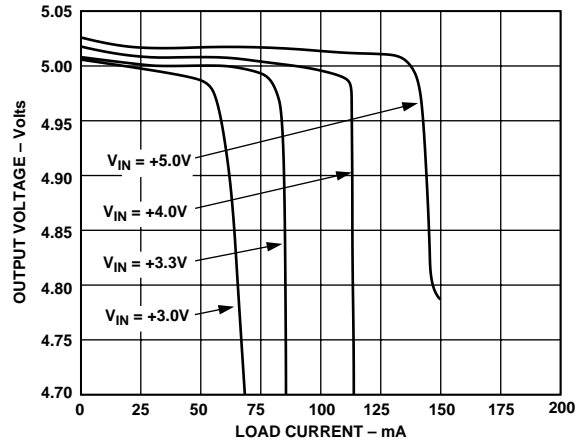


Figure 7. Output Voltage vs. Load Current

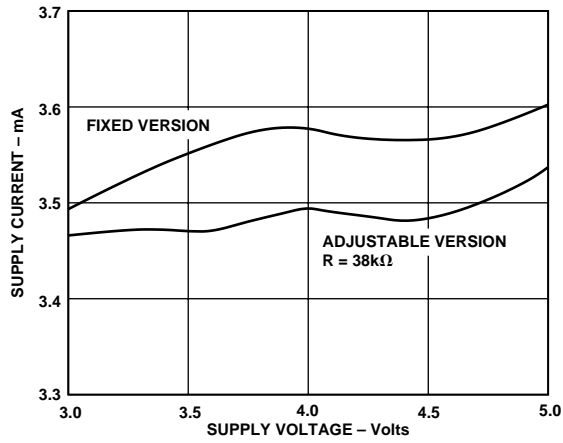


Figure 8. Supply Current vs. Supply Voltage in Normal Mode

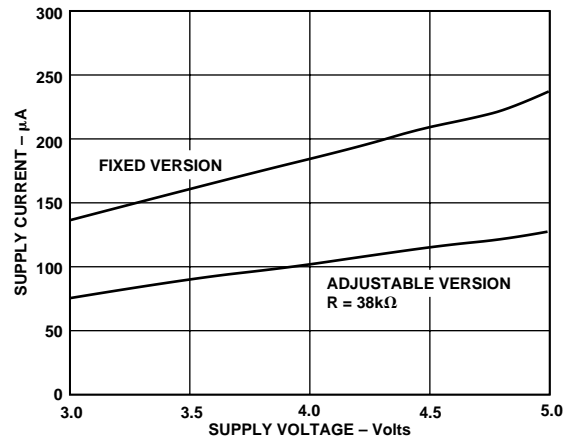


Figure 11. Supply Current vs. Supply Voltage in Shutdown Mode

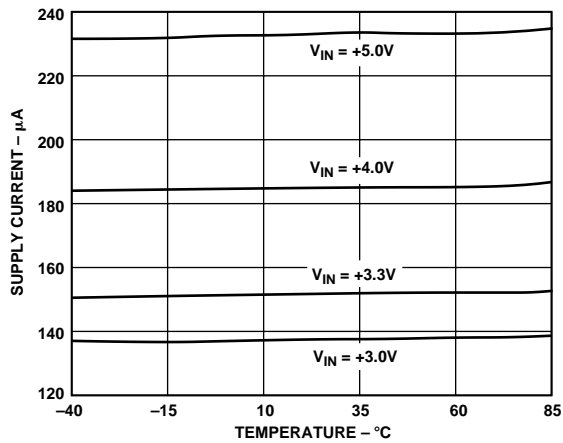


Figure 9. Supply Current vs. Temperature in Shutdown Mode

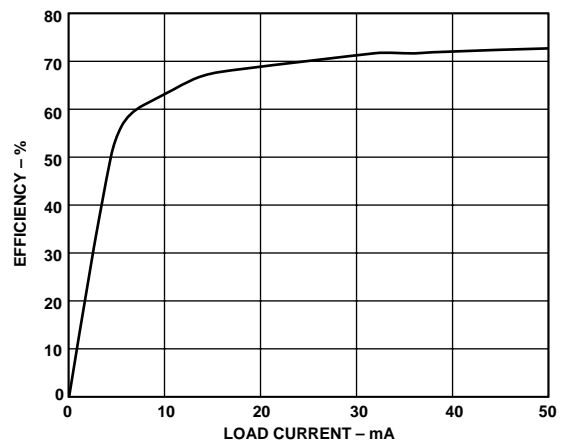


Figure 12. Efficiency vs. Load Current Based on Circuit of Figure 1

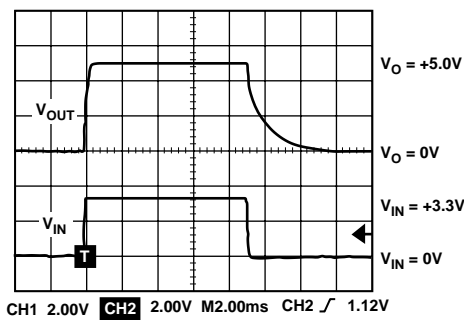


Figure 10. Start-up Under Full Load Based on Circuit of Figure 1

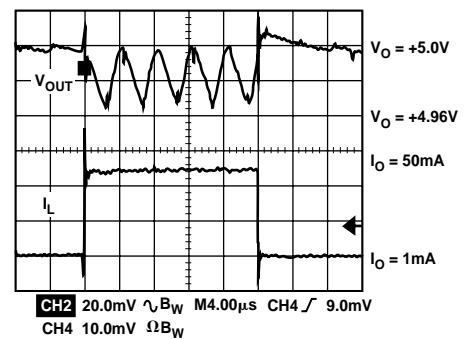


Figure 13. Load Transient Response Based on Circuit of Figure 1

# ADP3607

## THEORY OF OPERATION

The ADP3607 uses a switched capacitor principle to generate a regulated boost voltage from a positive input voltage. An on-board oscillator generates a two-phase clock to control a switching network that transfers charge between the storage capacitors. The switches turn on and off at a 250 kHz rate that is generated from an internal 500 kHz oscillator. The basic principle behind the voltage conversion scheme is illustrated in Figures 14 and 15.

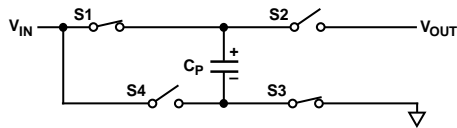


Figure 14. ADP3607 Switch Configuration Charging the Pump Capacitor

During phase one, S1 and S3 are ON, charging the pump capacitor to the input voltage. Before the next phase begins, S1 and S3 are turned OFF, as are S2 and S4 to prevent any overlap. S2 and S4 are turned ON during the second phase (see Figure 15) and charge stored in the pump capacitor is transferred to the output capacitor.

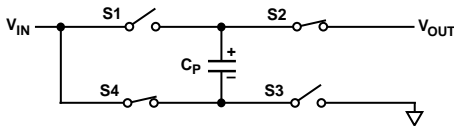


Figure 15. ADP3607 Switch Configuration Charging the Output Capacitor

During the second phase, the negative terminal of the pump capacitor is connected to  $V_{IN}$  through variable resistance switch S4, and the positive terminal is connected to the output, resulting in a voltage shift at the output terminal. The ADP3607 block diagram is shown on the front page.

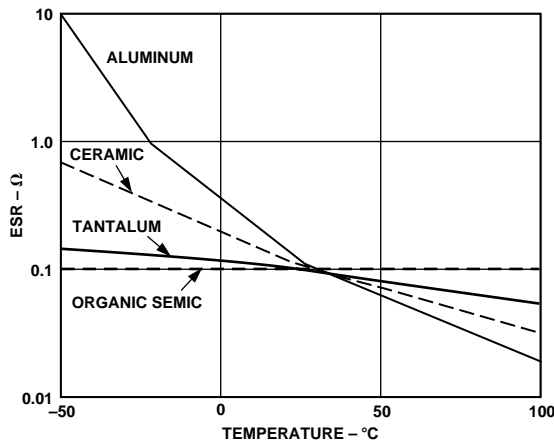


Figure 16. ESR vs. Temperature

## APPLICATION INFORMATION

### Capacitor Selection

The ADP3607's high internal oscillator frequency permits the use of small capacitors for both the pump and the output capacitors. For a given load current, factors affecting the output voltage performance are:

- Pump ( $C_P$ ) and output ( $C_O$ ) capacitance.
- ESR of the  $C_P$  and  $C_O$ .

When selecting the capacitors, keep in mind that not all manufacturers guarantee capacitor ESR in the range required by the circuit. In general, the capacitor's ESR is inversely proportional to its physical size, so larger capacitance values and higher voltage ratings tend to reduce ESR. Since the ESR is also a function of the operating frequency, when selecting a capacitor make sure its value is rated at the circuit's operating frequency. Another factor affecting capacitor performance is temperature.

Figure 16 illustrates the temperature effect on various capacitors. If the circuit has to operate at temperatures significantly different from +25°C, the capacitance and ESR values must be carefully selected to adequately compensate for the change. Various capacitor technologies offer improved performance over temperature; for example, certain tantalum capacitors provide good low temperature ESR but at a higher cost. Table II provides the ratings for different types of capacitor technologies to help the designer select the right capacitors for the application. The exact values of  $C_{IN}$  and  $C_O$  are not critical. However, low ESR capacitors such as solid tantalum and multilayer ceramic capacitors are recommended to minimize voltage loss at high currents. Table III shows a partial list of the recommended low ESR capacitor manufacturers.

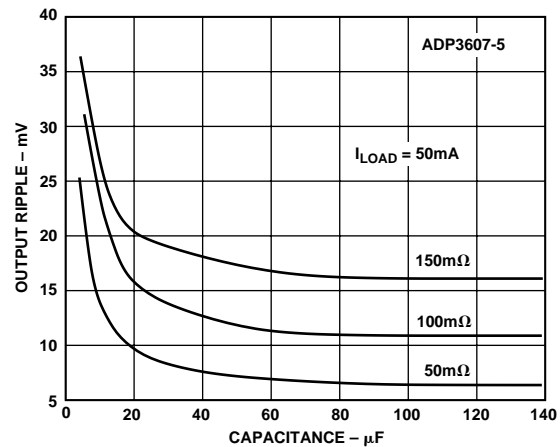


Figure 17. Output Ripple Voltage (mV) vs. Capacitance and ESR

### Input Capacitor

A small 1  $\mu\text{F}$  input bypass capacitor (preferably with low ESR) such as tantalum or multilayer ceramic, is recommended to reduce noise and supply transients, and supply part of the peak input current drawn by the ADP3607. A large capacitor is recommended if the input supply is connected to the ADP3607 through long leads, or if the pulse current drawn by the device might affect other circuitry through supply coupling.

### Output Capacitor

The output capacitor ( $C_O$ ) is alternately charged to the  $C_P$  voltage when  $C_P$  is switched in parallel with  $C_O$ . The ESR of  $C_O$  introduces steps in the  $V_{OUT}$  waveform whenever the charge pump charges  $C_O$ , which contributes to  $V_{OUT}$  ripple. Thus, ceramic or tantalum capacitors are recommended for  $C_O$  to minimize ripple on the output. Figure 17 illustrates the output ripple voltage effect for various capacitance and ESR values. Note that as the capacitor value increases beyond the point where the dominant contribution to the output ripple is due to the ESR, no significant reduction in  $V_{OUT}$  ripple is achieved by added capacitance. Since output current is supplied solely by

the output capacitor,  $C_O$ , during one-half of the charge-pump cycle, peak-to-peak output ripple voltage is calculated by using the following formula.

$$V_{RIPPLE} = \frac{I_L}{2 \times F_{PUMP} \times C_O} + 2 \times I_L \times ESR_{C_O}$$

where

$I_L$  = Load Current

$F_{PUMP}$  = 250 kHz nominal switching frequency

$C_O$  = 10  $\mu$ F with an ESR of 0.15  $\Omega$

$$V_{RIPPLE} = \frac{50 \text{ mA}}{2 \times 250 \text{ kHz} \times 10 \mu\text{F}} + 2 \times 50 \text{ mA} \times 0.15 = 25 \text{ mV}$$

Multiple smaller capacitors can be connected in parallel to yield lower ESR and potential cost savings. For lighter loads, proportionally smaller capacitors are required. To reduce high frequency noise, bypass the output with a 0.1  $\mu$ F ceramic capacitor in parallel with the output capacitor.

### Pump Capacitor

The ADP3607 alternately charges  $C_P$  to the input voltage when  $C_P$  is switched in parallel with the input supply, and then transfers charge to  $C_O$  when  $C_P$  is switched in parallel with  $C_O$ . During the time  $C_P$  is charging, the peak current is approximately two times the output current. During the time  $C_P$  is delivering charge to  $C_O$ , the supply current drops down to about 3 mA.

A low ESR capacitor has much greater impact on performance for  $C_P$  than  $C_O$  since current through  $C_P$  is twice the  $C_O$  current. Therefore, the voltage drop due to  $C_P$  is about four times the ESR of  $C_P$  times the load current. While the ESR of  $C_O$  affects the output ripple voltage, the voltage drop generated by the ESR of  $C_P$ , combined with the voltage drop due to the output source resistance, determines the maximum available  $V_{OUT}$ .

### Improved Load Regulation

In most applications, IR drops due to printed circuit board traces are not critical.  $V_{SENSE}$  should be connected to the output at a convenient pcb location close to the load. However, if a reduction in IR drops, or improvement in load regulation is desired, the sense line can be used to monitor the output voltage at the load. To avoid excessive noise pickup, keep the  $V_{SENSE}$  line as short as possible and away from any noisy line.

### Shutdown Mode

The ADP3607's output can be disabled by pulling the SD Pin to a TTL/CMOS logic high level which will stop the internal oscillator. Applying a logic low will turn ON the oscillator. If the shutdown feature is not used, the SD pin should be tied to ground. The shutdown mode current is dominated by the resistor divider connected to the  $V_{SENSE}$  pin. This current can be calculated using one of the following formulas.

5 V fixed output version:

$$I_{SENSE(SD)} = \frac{(V_{IN} - 0.3 V)}{23.75 \text{ k}\Omega}$$

Adjustable output version:

$$I_{SENSE(SD)} = \frac{(V_{IN} - 0.3 V)}{(9.5 \text{ k}\Omega + R_{EXT})}$$

where  $R_{EXT}$  is in  $\text{k}\Omega$ .

Because of the external Schottky diode between  $V_{IN}$  and  $V_{OUT}$ , the output voltage will be held to a diode drop below  $V_{IN}$  when the ADP3607 is in shutdown mode.

### Power Dissipation

The power dissipation of the ADP3607 circuit must be limited such that the junction temperature of the device does not exceed the maximum junction temperature rating. Total power dissipation is calculated as follows:

$$P = (2 V_{IN} - V_{OUT}) I_{OUT} + (V_{IN}) I_S$$

Where  $I_{OUT}$  and  $I_S$  are output current and supply current,  $V_{IN}$  and  $V_{OUT}$  are input and output voltages respectively.

For example: assuming worst case conditions,  $V_{IN} = 5 \text{ V}$ ,  $V_{OUT} = 5 \text{ V}$ ,  $I_{OUT} = 50 \text{ mA}$  and  $I_S = 6 \text{ mA}$ . Calculated device power dissipation is:

$$P \approx (2 \times 5 \text{ V} - 5 \text{ V})(0.05 \text{ A}) + (5 \text{ V})(0.006 \text{ A}) = 280 \text{ mW}$$

This is far below the 660 mW power dissipation capability of the ADP3607.

### General Board Layout Guidelines

Since the ADP3607's internal switches turn on and off very quickly, good PC board layout practices are critical to ensure optimal operation of the device. Improper layouts will result in poor load regulation, especially with heavy loads. Following these simple layout guidelines will improve output performance.

1. Use adequate ground and power traces or planes.
2. Use single point ground for device ground and input and output capacitor grounds.
3. Keep external components as close to the device as possible.
4. Use short traces from the input and output capacitors to the input and output pins respectively.

### Maximum Output Voltage

Maximum unregulated output voltage can be obtained by connecting the  $V_{SENSE}$  pin to ground instead of to the  $V_{OUT}$  pin (see Figure 18). Under this condition, the magnitude of the unregulated output voltage depends on the load current.  $V_{OUT}$  is inversely proportional to the load current.

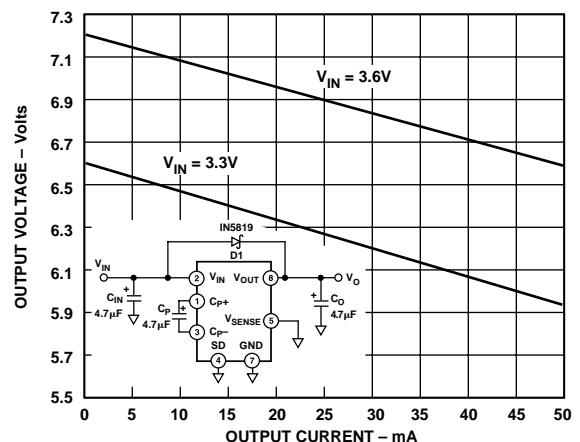


Figure 18. Maximum Unregulated Output Voltage

# ADP3607

## Regulated Adjustable Output Voltage

For the adjustable version of the ADP3607, the regulated output voltage is programmed by a resistor that is inserted between the  $V_{SENSE}$  and  $V_{OUT}$  pins, as illustrated in Figure 19. The inherent limit of the output voltage of a single doubling charge pump stage is two times the input voltage. The scaling factor of 2.00 is reduced somewhat due to losses that increase with output current. To increase the scaling factor to attain a more positive output voltage, an external pump stage can be added with just passive components as shown in Figure 20. That single stage increases the scaling factor to a limit of 3, although the diode drops will limit the ability to noticeably attain that exact 3.00 scaling factor. Even further increases can be achieved with more external pump stages. High accuracy on the adjustable output is achieved through the use of precision trimmed internal resistors, which eliminates the need to trim the external resistor or add a second resistor to form a divider. The adjustable output voltage is set using the following formula:

$$V_{OUT} = \frac{R}{9.5} + 1$$

where  $V_{OUT}$  is in volts and  $R$  is in  $k\Omega$ s.

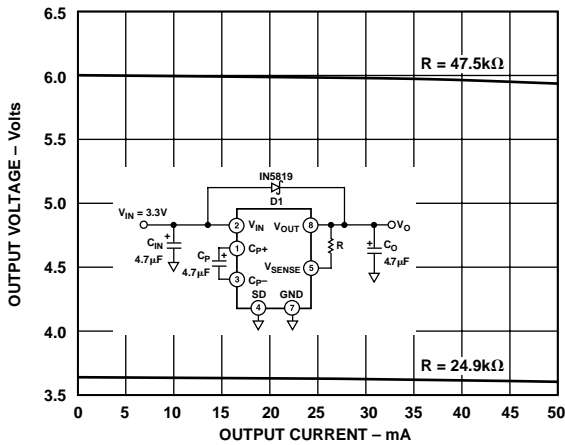


Figure 19. Regulated Adjustable Output Voltage

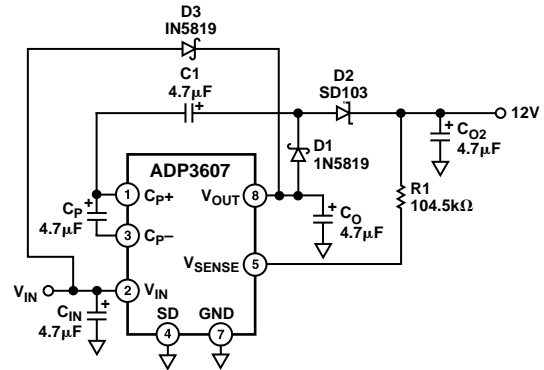


Figure 20. Regulated 12 V from a 5 V Input

## Regulated Dual Supply System

The circuit in Figure 21 provides regulated positive and negative voltages for systems that require dual supplies from a single battery or power supply.

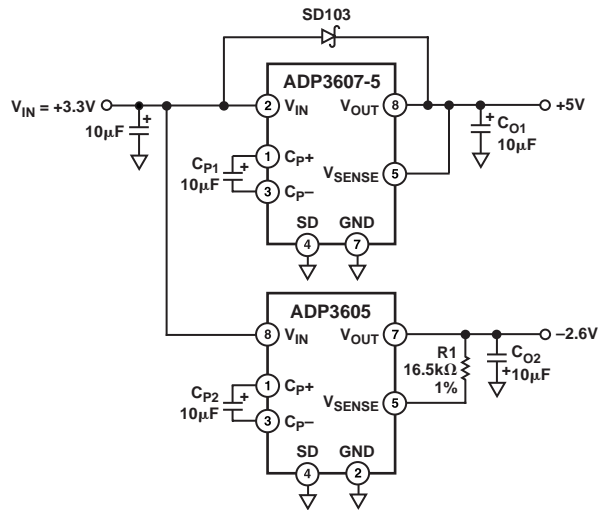
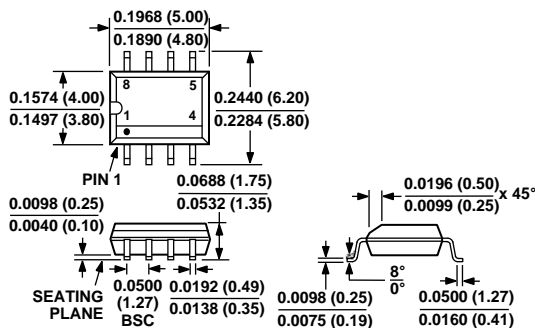


Figure 21. Regulated Dual Supply System

## OUTLINE DIMENSIONS

Dimensions shown in inches and (mm).

### 8-Lead SOIC (SO-8)



### 8-Lead TSSOP (RU-8)

