

16-BIT, 2-MSPS, LVDS SERIAL INTERFACE, SAR ANALOG-TO-DIGITAL CONVERTER

FEATURES

- 2-MHz Sample Rate
- 16-Bit Resolution
- SNR 92 dB at 10 kHz I/P
- THD -107 dB at 10 kHz I/P
- ± 1 LSB Typ, ± 2 LSB INL Max
- $+0.7/-0.5$ LSB Typ, $+1.5/-1$ LSB DNL Max
- Unipolar Differential Input Range: -4 V to 4 V
- Internal Reference
- Internal Reference Buffer
- 200-Mbps LVDS Serial Interface
- Optional 200-MHz Internal Interface Clock
- 16-/8-Bit Data Frame
- Zero Latency at Full Speed
- Power Dissipation: 290 mW at 2 MSPS
- Nap Mode (125 mW Power Dissipation)
- Power Down (5 μ W)
- 48-Pin QFN Package

APPLICATIONS

- Medical Instrumentation
- High-Speed Data Acquisition Systems
- High-Speed Close-Loop Systems
- Communication

DESCRIPTION

The ADS8413 is a 16-bit, 2-MSPS, analog-to-digital (A/D) converter with 4-V internal reference. The device includes a capacitor based SAR A/D converter with inherent sample and hold.

The ADS8413 also includes a 200-Mbps, LVDS, serial interface. This interface is designed to support daisy chaining or cascading of multiple devices. A selectable 16-/8-bit data frame mode enables the use of a single shift register chip (SN65LVDS152) for converting the data to parallel format.

The ADS8413 unipolar differential input range supports a differential input swing of $-V_{ref}$ to $+V_{ref}$ with a common-mode voltage of $+V_{ref}/2$.

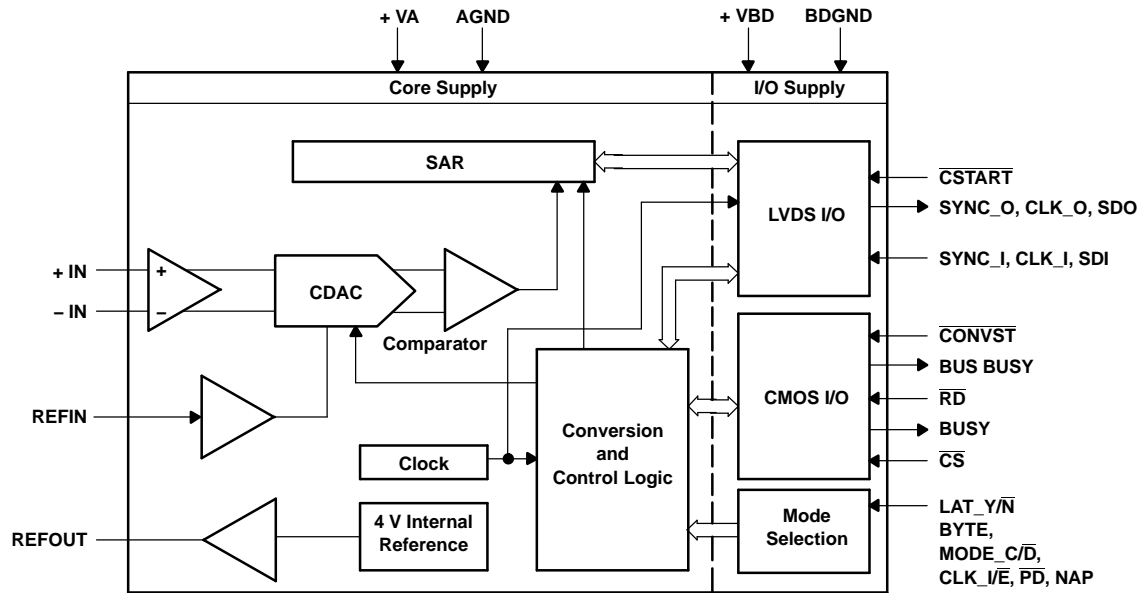
The nap feature provides substantial power saving when used at lower conversion rates.

The ADS8413 is available in a 48-pin QFN package.

High-Speed SAR Converter Family

| Type/Speed | 500 kHz | ~ 600 kHz | 750 kHz | 1 MHz | 1.25 MHz | 2 MHz | 3 MHz | 4 MHz |
|-----------------------------------|---------|-------------|---------|-------|-------------|------------------|---------|---------|
| 18-Bit Pseudo-Diff | ADS8383 | ADS8381 | | | | | | |
| | | ADS8380 (S) | | | | | | |
| 18-Bit Pseudo-Bipolar, Fully Diff | | ADS8382 (S) | | | | | | |
| 16-Bit Pseudo-Diff | | ADS8370 (S) | ADS8371 | | ADS8401/05 | ADS8411 | | |
| | | | | | | ADS8410 (S-LVDS) | | |
| 16-Bit Pseudo-Bipolar, Fully Diff | | ADS8372 (S) | | | ADS8402/06 | ADS8412 | | |
| | | | | | | ADS8413 (S-LVDS) | | |
| 14-Bit Pseudo-Diff | | | | | ADS7890 (S) | | ADS7891 | |
| 12-Bit Pseudo-Diff | | | | | | | | ADS7881 |

Please be aware that an important notice concerning availability, standard warranty, and use in critical applications of Texas Instruments semiconductor products and disclaimers thereto appears at the end of this data sheet.



ORDERING INFORMATION⁽¹⁾

| MODEL | MAXIMUM INTEGRAL LINEARITY (LSB) | MAXIMUM DIFFERENTIAL LINEARITY (LSB) | NO MISSING CODES AT RESOLUTION (BIT) | PACKAGE TYPE | PACKAGE DESIGNATOR | TEMPERATURE RANGE | ORDERING INFORMATION | TRANSPORT MEDIA QUANTITY |
|-----------|----------------------------------|--------------------------------------|--------------------------------------|--------------|--------------------|-------------------|----------------------|--------------------------|
| ADS8413IB | ±2 | 1.5/-1 | 16 | 48 pin QFN | RGZ | -40°C to 85°C | ADS8413IBRGZT | 250 |
| | | | | | | | ADS8413IBRGZR | 2000 |
| ADS8413I | ±4 | 3/-1 | 16 | 48 pin QFN | RGZ | -40°C to 85°C | ADS8413IRGZT | 250 |
| | | | | | | | ADS8413IRGZR | 2000 |

(1) For the most current package and ordering information, see the Package Option Addendum at the end of this document, or see the TI website at www.ti.com.

ABSOLUTE MAXIMUM RATINGS

over operating free-air temperature range (unless otherwise noted)⁽¹⁾

| | | UNIT |
|---|-----------------------------------|--|
| +IN to AGND | | -0.3 V to +VA + 0.3 V |
| -IN to AGND | | -0.3 V to +VA + 0.3 V |
| +VA to AGND | | -0.3 to 7 V |
| +VBD to BDGND | | -0.3 to 7 V |
| Digital input voltage to GND | | -0.3 V to (+VBD + 0.3 V) |
| Digital output to GND | | -0.3 V to (+VBD + 0.3 V) |
| Operating temperature range | | -40°C to 85°C |
| Storage temperature range | | -65°C to 150°C |
| Junction temperature (T _J max) | | 150°C |
| QFN package | Power dissipation | (T _J Max - T _A) / θ _{JA} |
| | θ _{JA} Thermal impedance | 86°C/W |
| Lead temperature, soldering | Vapor phase (60 sec) | 215°C |
| | Infrared (15 sec) | 220°C |

(1) Stresses beyond those listed under *absolute maximum ratings* may cause permanent damage to the device. These are stress ratings only, and functional operation of the device at these or any other conditions beyond those indicated under *recommended operating conditions* is not implied. Exposure to absolute-maximum-rated conditions for extended periods may affect device reliability.

SPECIFICATIONS
 $T_A = -40^\circ\text{C}$ to 85°C , $+V_A = 5\text{ V}$, $+V_{BD} = 5\text{ V}$ or 3.3 V , $V_{ref} = 4.096\text{ V}$, $f_{sample} = 2\text{ MHz}$ (unless otherwise noted)

| PARAMETER | | TEST CONDITIONS | MIN | TYP | MAX | UNIT |
|---|--|---|-------------------|-------------|-------------------|--------------------|
| ANALOG INPUT | | | | | | |
| Full-scale input voltage span ⁽¹⁾ | | +IN – (–IN) | $-V_{ref}$ | | V_{ref} | V |
| Absolute input voltage range | | +IN | -0.2 | | $V_{ref} + 0.2$ | V |
| | | –IN | -0.2 | | $V_{ref} + 0.2$ | |
| Input common-mode voltage range | | | $V_{ref}/2 - 0.2$ | $V_{ref}/2$ | $V_{ref}/2 + 0.2$ | V |
| C_i | Input capacitance | | | 25 | | pF |
| Input leakage current | | | | 500 | | pA |
| SYSTEM PERFORMANCE | | | | | | |
| Resolution | | | | 16 | | Bits |
| No missing codes | | ADS8413IB | | 16 | | Bits |
| | | ADS8413I | | 16 | | |
| INL | Integral linearity ⁽²⁾ | ADS8413IB | -2 | ± 1 | 2 | LSB ⁽³⁾ |
| | | ADS8413I | -4.0 | ± 2 | 4.0 | |
| DNL | Differential linearity | ADS8413IB | -1 | $0.7/-0.5$ | 1.5 | LSB ⁽³⁾ |
| | | ADS8413I | -1.0 | $1.5/-0.8$ | 3 | |
| E_O | Offset error | ADS8413IB | -1 | ± 0.2 | 1 | mV |
| | | ADS8413I | -3.0 | ± 1 | 3.0 | |
| E_G | Gain error ⁽⁴⁾ | ADS8413IB | -0.1 | ± 0.03 | 0.1 | % of FS |
| | | ADS8413I | -0.15 | ± 0.1 | 0.15 | |
| CMMR | Common-mode rejection ratio | With common mode input signal = 200 mV _{pp} at 1 MHz | | 60 | | dB |
| PSRR | Power supply rejection ratio | At FFF0 _H output code | | 80 | | dB |
| SAMPLING DYNAMICS | | | | | | |
| Conversion time | | +VBD = 5 V | | 360 | 391 | ns |
| | | +VBD = 3 V | | | 391 | |
| Acquisition time | | +VBD = 5 V | | 100 | | ns |
| | | +VBD = 3 V | | 100 | | |
| Maximum throughput rate with or without latency | | | | | 2.0 | MHz |
| Aperture delay | | | | 20 | | ns |
| Aperture jitter | | | | 10 | | psec |
| Step response | | | | 50 | | ns |
| Overvoltage recovery | | | | 50 | | ns |
| DYNAMIC CHARACTERISTICS | | | | | | |
| THD | Total harmonic distortion ⁽⁵⁾ | V_{IN} 0.5 dB below FS at 10 kHz | | -107 | | dB |
| | | V_{IN} 0.5 dB below FS at 100 kHz | | -95 | | |
| | | V_{IN} 0.5 dB below FS at 0.5 MHz | | -90 | | |
| SNR | Signal-to-noise ratio | V_{IN} 0.5 dB below FS at 10 kHz | | 92 | | dB |
| | | V_{IN} 0.5 dB below FS at 100 kHz | | 90 | | |
| | | V_{IN} 0.5 dB below FS at 0.5 MHz | | 89 | | |
| SINAD | Signal-to-noise and distortion | V_{IN} 0.5 dB below FS at 10 kHz | | 92 | | dB |
| | | V_{IN} 0.5 dB below FS at 100 kHz | | 86 | | |
| | | V_{IN} 0.5 dB below FS at 0.5 MHz | | 84 | | |
| SFDR | Spurious free dynamic range | V_{IN} 0.5 dB below FS at 10 kHz | | -113 | | dB |
| | | V_{IN} 0.5 dB below FS at 100 kHz | | -98 | | |
| | | V_{IN} 0.5 dB below FS at 0.5 MHz | | -93 | | |
| –3 dB Small signal bandwidth | | | | 37.5 | | MHz |

- (1) Ideal input span; does not include gain or offset error.
- (2) This is endpoint INL, not best fit.
- (3) Least significant bit
- (4) Measured relative to actual measured reference.
- (5) Calculated on the first nine harmonics of the input frequency.

SPECIFICATIONS (continued)

T_A = –40°C to 85°C, +VA = 5 V, +VBD = 5 V or 3.3 V, V_{ref} = 4.096 V, f_{sample} = 2 MHz (unless otherwise noted)

| PARAMETER | | TEST CONDITIONS | MIN | TYP | MAX | UNIT |
|---|---|---|------------|-------|-----------|---------|
| EXTERNAL REFERENCE INPUT | | | | | | |
| Input voltage range, V _{REF} | | | 3.9 | 4.096 | 4.2 | V |
| Resistance ⁽⁶⁾ | | To internal reference voltage | | 500 | | kΩ |
| INTERNAL REFERENCE OUTPUT | | | | | | |
| Start-up time | | From 95% (+VA), with 1-μF storage capacitor on REFOUT to AGND | | | 25 | ms |
| Reference voltage range, V _{ref} | | At room temperature | 4.080 | 4.096 | 4.112 | V |
| Source current | | Static load | | | 10 | μA |
| Line regulation | | +VA = 4.75 V to 5.25 V | | 0.6 | | mV |
| Drift | | IOUT = 0 V | | 36 | | PPM/°C |
| POWER SUPPLY REQUIREMENTS | | | | | | |
| Power supply voltage | +VBD | | 2.7 | 3.3 | 5.25 | V |
| | +VA | | 4.75 | 5 | 5.25 | |
| Supply current, 2-MHz sample rate | +VA | | | 58 | 64 | mA |
| Power dissipation, 2-MHz sample rate | | +VA = 5 V | | 290 | 320 | mW |
| NAP MODE | | | | | | |
| Supply current | +VA | | | 25 | | mA |
| POWER DOWN | | | | | | |
| Supply current | +VA | | | 1 | 2.5 | μA |
| Powerdown time | | | | 10 | | μs |
| Powerup time | | With 1-μF storage capacitor on REFOUT to AGND | | 25 | | ms |
| Invalid conversions after power up or reset | | | | 3 | | Numbers |
| TEMPERATURE RANGE | | | | | | |
| Operating free air | | | –40 | | 85 | °C |
| LOGIC FAMILY CMOS | | | | | | |
| V _{IH} | High-level input voltage | I _{IH} = 5 μA | +VBD –1 | | +VBD +0.3 | V |
| V _{IL} | Low-level input voltage | I _{IL} = 5 μA | –0.3 | | 0.8 | V |
| V _{OH} | High-level output voltage | I _{OH} = 2 TTL loads | +VBD – 0.6 | | +VBD | V |
| V _{OL} | Low-level output voltage | I _{OL} = 2 TTL loads | 0 | | 0.4 | V |
| LOGIC FAMILY LVDS⁽⁷⁾ | | | | | | |
| DRIVER | | | | | | |
| V _{OD(SS)} | Steady-state differential output voltage magnitude | R _L = 100 Ω, See Figure 52 , Figure 53 | 247 | 340 | 454 | mV |
| Δ V _{OD(SS)} | Change in steady-state differential output voltage magnitude between logic states | | –50 | | 50 | |
| V _{OC(SS)} | Steady-state common-mode output voltage | See Figure 54 | 1.125 | 1.2 | 1.375 | V |
| Δ V _{OC(SS)} | Change in steady-state common-mode output voltage between logic states | | –50 | | 50 | mV |
| V _{OC(pp)} | Peak to peak change in common-mode output voltage | | | 50 | 150 | |
| I _{OS} | Short circuit output current | V _{OY} or V _{OZ} = 0 V | | 3 | 10 | mA |
| | | V _{OD} = 0 V | | 3 | 10 | |
| I _{OZ} | High impedance output current | V _O = 0 V or +VBD | –5 | | 5 | μA |

(6) Can vary ±20%

(7) All min max values ensured by design.

SPECIFICATIONS (continued)
 $T_A = -40^{\circ}\text{C}$ to 85°C , $+VA = 5\text{ V}$, $+VBD = 5\text{ V}$ or 3.3 V , $V_{\text{ref}} = 4.096\text{ V}$, $f_{\text{sample}} = 2\text{ MHz}$ (unless otherwise noted)

| PARAMETER | | TEST CONDITIONS | MIN | TYP | MAX | UNIT |
|-------------------|---|-----------------|-----|-----|-----|------|
| RECEIVER | | | | | | |
| $V_{\text{ITH+}}$ | Positive going differential voltage threshold | | | | 50 | mV |
| $V_{\text{ITH-}}$ | Negative going differential voltage threshold | | -50 | | | |
| V_{IC} | Common mode input voltage | | 0.2 | 1.2 | 2.2 | V |
| C_1 | Input capacitance | | | 5 | | pF |

TIMING REQUIREMENTS
 $T_A = -40^{\circ}\text{C}$ to 85°C , $+VA = 5\text{ V}$, $+VBD = 5\text{ V}$ or 3.3 V (unless otherwise noted)

| PARAMETER | | MIN | TYP | MAX | UNIT | REF |
|--|---|--------------|--------------------------------|--------------------------------|------|-----------------------------|
| SAMPLING AND CONVERSION RELATED | | | | | | |
| t_{acq} | Acquisition time | 100 | | | ns | Figure 1, Figure 2 |
| t_{cnv} | Conversion time | | | 391 | ns | Figure 1, Figure 2 |
| t_{w1} | Pulse duration, $\overline{\text{CONVST}}$ high | 100 | | | ns | Figure 1 |
| t_{w2} | Pulse duration, $\overline{\text{CONVST}}$ low | 40 | | | ns | Figure 1, Figure 2 |
| t_{d1} | Delay time, $\overline{\text{CONVST}}$ rising edge to sample start | | | 5 | ns | Figure 1 |
| t_{d2} | Delay time, $\overline{\text{CONVST}}$ falling edge to conversion start | | | 5 | ns | Figure 1, Figure 2 |
| t_{d3} | Delay time, $\overline{\text{CONVST}}$ falling edge to busy high | +VBD = 3.3 V | | 14 | ns | Figure 1, Figure 2 |
| | | +VBD = 5 V | | 13 | | |
| t_{d4} | Delay time, conversion end to busy low | +VBD = 3.3 V | | 8 | ns | Figure 1, Figure 2 |
| | | +VBD = 5 V | | 7 | | |
| t_{w3} | Pulse duration, $\overline{\text{CSTART}}$ high | 100 | | | ns | Figure 1, Table 2 |
| t_{w4} | Pulse duration, $\overline{\text{CSTART}}$ low | 45 | | | ns | Figure 1, Figure 2, Table 2 |
| t_{d5} | Delay time, $\overline{\text{CSTART}}$ rising edge to sample start | | | 7.5 | ns | Figure 1, Table 2 |
| t_{d6} | Delay time, $\overline{\text{CSTART}}$ falling edge to conversion start | | | 7.5 | ns | Figure 1, Figure 2, Table 2 |
| t_{d7} | Delay time, $\overline{\text{CSTART}}$ falling edge to busy high | +VBD = 3.3 V | | 16.5 | ns | Figure 1, Figure 2, Table 2 |
| | | +VBD = 5 V | | 15.5 | | |
| I/O RELATED | | | | | | |
| t_{d8} | Delay time, $\overline{\text{RD}}$ falling edge while $\overline{\text{CS}}$ low to BUS_BUSY high | | | 16 | ns | Figure 5 |
| t_{d9} | Delay time, $\overline{\text{RD}}$ falling edge while $\overline{\text{CS}}$ low to SYNC_O and SDO out of 3-state condition (for device with LAT_Y/ $\overline{\text{N}}$ pulled low) | +VBD = 3.3 V | | 29 | ns | Figure 5 |
| | | +VBD = 5 V | | 28 | | |
| t_{d10} | Delay time, pre_conversion end (point A) to SYNC_O and SDO out of 3-state condition | | | 22 | ns | Figure 6 |
| t_{d11} | Delay time, pre_conversion end (point A) to BUS_BUSY high | VBD = 3.3 V | | 8 | ns | Figure 6 |
| | | +VBD = 5 V | | 7 | | |
| t_{d12} | Delay time, conversion phase end to SYNC_O high | 6 | | $9 + t_{\text{CLK}}$ | ns | Figure 6 |
| t_{d13} | Delay time, $\overline{\text{RD}}$ falling edge while $\overline{\text{CS}}$ low to SYNC_O high | +VBD = 3.3 V | $5.5 + 4 \cdot t_{\text{CLK}}$ | $8.5 + 5 \cdot t_{\text{CLK}}$ | ns | Figure 5 |
| | | +VBD = 5 V | $5 + 4 \cdot t_{\text{CLK}}$ | $8 + 5 \cdot t_{\text{CLK}}$ | | |
| t_{w5} | Pulse duration, $\overline{\text{RD}}$ low for device in no latency mode | 5 | | | ns | Figure 11 |
| t_{d14} | Delay time, CLK_O rising edge to data valid | +VBD = 3.3 V | | 1.4 | ns | Figure 5, Figure 6 |
| | | +VBD = 5 V | | 1.3 | | |
| t_{d15} | Delay time, BUS_BUSY low to SYNC_O high in daisy chain mode indicating receiving device to output the data | +VBD = 3.3 V | $4 \cdot t_{\text{CLK}} - 6.5$ | $4 \cdot t_{\text{CLK}} - 3$ | ns | Figure 7, Figure 12 |
| | | +VBD = 5 V | $4 \cdot t_{\text{CLK}} - 6$ | $4 \cdot t_{\text{CLK}} - 2.5$ | | |

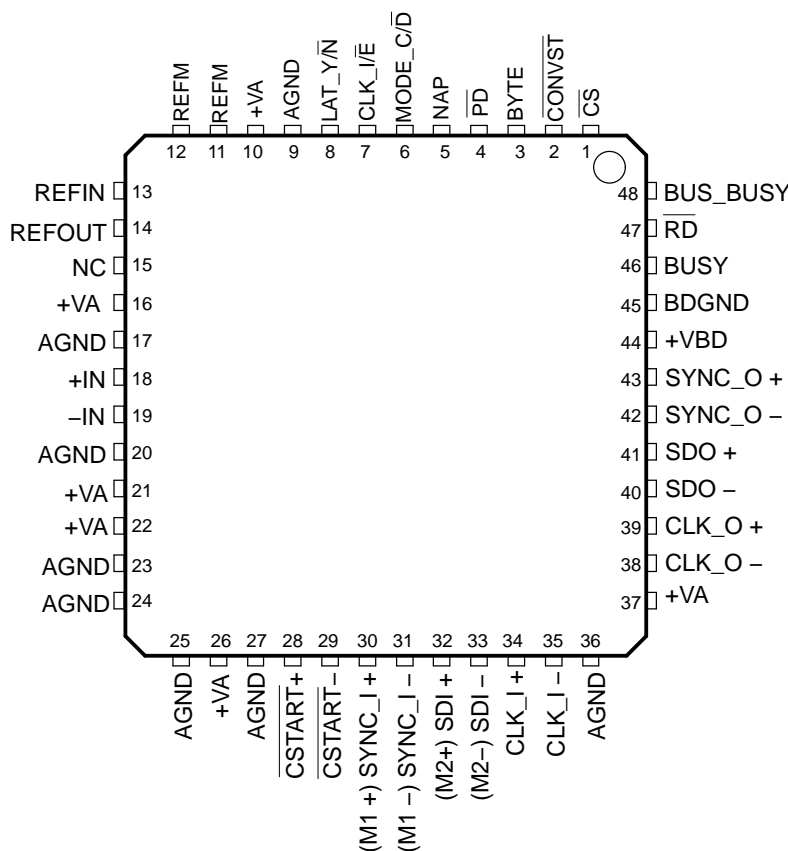
TIMING REQUIREMENTS (continued)

T_A = -40°C to 85°C, +VA = 5 V, +VBD = 5 V or 3.3 V (unless otherwise noted)

| PARAMETER | | MIN | TYP | MAX | UNIT | REF |
|------------------|---|--------------|---------------------------|------|------|---|
| t _{d16} | Delay time, CLK_O to SDO and SYNC_O 3-state | | | 4 | ns | Figure 7, Figure 8, Figure 12, Figure 15 |
| t _{pd1} | Propagation delay time, SYNC_I to SYNC_O in daisy chain mode | | 11 + 0.5*t _{CLK} | | ns | Figure 12 |
| t _{d17} | Delay time, SYNC_O and SDO 3-state to BUS_BUSY low in cascade mode. | 0 | | 2 | ns | Figure 8 |
| t _{d18} | Delay time, \overline{RD} rising edge to BUS_BUSY high for device with LAT_Y/ \overline{N} = 1 | +VBD = 3.3 V | | 8 | ns | Figure 11, Figure 14 |
| | | +VBD = 5 V | | 7 | | |
| t _{d19} | Delay time, point A indicating clear for bus 3-state release to BUSY falling edge | +VBD = 3.3 V | | 40.5 | ns | Figure 6 |
| | | +VBD = 5 V | | 40 | | |
| t _r | Rise time, differential LVDS output signal | | | 950 | ps | Figure 53 |
| t _f | Fall time, differential LVDS output signal | | | 950 | ps | Figure 53 |
| | CLK frequency (serial data rate) | 190 | | 210 | MHz | |
| t _{d20} | Delay time, from \overline{PD} falling edge to SDO 3-state | | | 10 | ns | Figure 22, Figure 23 |
| t _{d21} | Delay time, from \overline{PD} falling edge to device powerdown | | | 10 | μs | Figure 22, Figure 23 |
| t _{d22} | Delay time, from \overline{PD} rising edge to device powerup | | | 25 | ms | Figure 22, Figure 23 |
| t _{s1} | Settling time, internal reference after first three conversions | | | 4 | ms | Figure 22 |
| t _{d23} | Delay time, \overline{CONVST} falling edge to start of restricted zone for start of data read cycle | | | 335 | ns | Figure 9 |
| t _{d24} | Delay time, \overline{CONVST} falling edge to end of restricted zone for start of data read cycle | | | 406 | ns | Figure 9 |

DEVICE INFORMATION

RGZ PACKAGE (TOPVIEW)



NC – No internal connection

TERMINAL FUNCTIONS

| TERMINAL | | I/O | DESCRIPTION |
|------------------------------------|--|-----|---|
| NO. | NAME | | |
| ANALOG PINS | | | |
| 11, 12 | REFM | I | Reference ground. Connect to analog ground plane. |
| 13 | REFIN | I | Reference (positive) input. Decouple with REFM pin using 0.1- μ F bypass capacitor and 1- μ F storage capacitor. |
| 14 | REFOUT | O | Internal reference output. Short to REFIN pin when internal reference is used. Do not connect to REFIN pin when external reference is used. Always decouple with AGND using 0.1- μ F bypass capacitor. |
| 18 | +IN | I | Noninverting analog input channel |
| 19 | -IN | I | Inverting analog input channel |
| LVDS I/O PINS⁽¹⁾ | | | |
| 28, 29 | $\overline{\text{CSTART+}}$ $\overline{\text{CSTART-}}$ | I | Device sample and convert control input. Device enters sample phase with rising edge of $\overline{\text{CSTART+}}$ and conversion phase starts with falling edge of $\overline{\text{CSTART-}}$ (provided other conditions are satisfied). Set $\overline{\text{CSTART}} = 0$ when $\overline{\text{CONVST}}$ input is used. |

(1) All LVDS inputs and outputs are differential with signal+ and signal- lines. Whenever only the 'signal' is mentioned it refers to the signal+ line and signal- line is the compliment. For example CLK_O refers to CLK_O+.

DEVICE INFORMATION (continued)

TERMINAL FUNCTIONS (continued)

| TERMINAL | | I/O | DESCRIPTION |
|-------------------------------|----------------------|------------------|---|
| NO. | NAME | | |
| 30, 31 | SYNC_I + SYNC_I- | I Daisy Chain | Connect to previous device SYNC_O with same polarity, while device is selected to operate in daisy chain mode. |
| | M1+ M1- | I Cascade | Mode 1 (valid in cascade mode only). CLK_O available while M1=1 (LVDS) or M1+ is pulled up to +VBD and M1- is grounded (AGND). CLK_O o/p goes to 3-state when M1 = 0 (LVDS) or M1+ is grounded (AGND) and M1- is pulled up to +VBD. Do not allow these pins to float. |
| 32, 33 | SDI+ SDI- | I Daisy Chain | Serial data input. Connect to previous device SDO with same polarity, while device is selected to operate in daisy chain mode. |
| | M2+ M2- | I Cascade | Mode 2 (valid in cascade mode only). Doubles LVDS o/p current while M2 = 1 (LVDS) or M2+ is pulled up to +VBD and M2- is grounded (AGND). LVDS o/p current is normal (3.4 mA typ) when M2 = 0 (LVDS) or M2+ is grounded (AGND) and M2 - is pulled up to +VBD. Do not allow these pins to float. |
| 34, 35 | CLK_I+ CLK_I- | I | Serial external clock input. Set CLK_I/E (pin 7) = 0 to select external clock source. |
| 38, 39 | CLK_O- CLK_O+ | O | Serial clock out. Data is latched out on the rising edge of CLK_O and can be captured on the next falling edge. |
| 40, 41 | SDO- SDO+ | O | Serial data out. Data is latched out on the rising edge of CLK_O with MSB first format. |
| 42, 43 | SYNC_O - SYNC_O + | O | Synchronizes the data frame. ⁽²⁾ |
| CMOS I/O PINS | | | |
| 1 | CS | I | Chip select, active low signal. All of the LVDS o/p except CLK_O are 3-state if this pin is high. |
| 2 | CONVST | I | CMOS equivalent of CSTART input. So functionality is the same as the CSTART input. Set CONVST = 0 when the CSTART input is used. |
| 3 | BYTE | I | Controls the data frame ⁽²⁾ duration. The frame duration is 16 CLKs if BYTE = 0 or 8 CLKs if BYTE = 1. |
| 4 | PD | I | Active low input, acts as device power down. |
| 5 | NAP | I | Selects nap mode while high. Device enters nap state at conversion end and remains so until next acquisition phase begins. |
| 6 | MODE_C/D | I | Selects cascade (MODE_C/D = 1) or daisy chain mode (MODE_C/D = 0). |
| 7 | CLK_I/E | I | Selects the source of the I/O clock. CLK_I/E = 1 selects internally generated clock with 200-MHz typ frequency. CLK_I/E = 0 selects CLK_I as the I/O clock. |
| 8 | LAT_Y/N | I | Controls the data read with latency (LAT_Y/N = 1) or without latency ((LAT_Y/N = 0). It is essential to set LAT_Y/N = 0 for the first device in daisy chain or cascade. |
| 46 | BUSY | O | Active high signal, indicates a conversion is in progress. |
| 47 | RD | I | Data read request to the device, also acts as a hand shake signal for daisy chain and cascade operation. |
| 48 | BUS_BUSY | O | Status output. Indicates that the bus is being used by the device. Connect to RD of the next device for daisy chain or cascade operation. |
| POWER SUPPLY PINS | | | |
| 10, 16, 21, 22, 26, 37 | +VA | - | Analog power supply and LVDS input buffer power supply. |
| 9, 17, 20, 23, 24, 25, 27, 36 | AGND | - | Analog ground pins. Short to the analog ground plane below the device. |
| 44 | +VBD | - | Digital power supply for all CMOS digital inputs and CMOS, LVDS outputs. |
| 45 | BDGND | - | Digital ground for all digital inputs and outputs. Short to the analog ground plane below the device. |

(2) The duration from the first rising edge of SYNC_O to the second rising edge of SYNC_O is one data frame. The data frame duration is 16 CLKs if BYTE = 0 or 8 CLKs if BYTE = 1.

DEVICE INFORMATION (continued)

TERMINAL FUNCTIONS (continued)

| TERMINAL | | I/O | DESCRIPTION |
|--------------------|------|-----|--------------------|
| NO. | NAME | | |
| NOT CONNECTED PINS | | | |
| 15 | NC | – | No connection pins |

Table 1. Device Configuration for Various Modes of Operation

| OPERATION MODE | | DEVICE PINS AND RECOMMENDED LOGIC LEVELS | | | | | | COMMENTS | REFERENCE FIGURES | |
|---------------------------------|--------------------|--|---------|------------------------|------------------------|------|---------------------------------------|--|-------------------|--|
| | | MODE_C/D | CLK_I/E | LAT_Y/N | M1+ | M1– | M2+ | | M2– | FOR SAMPLING AND CONVERSION |
| Single device | 1 | 1 or 0 | 0 | +VBD or M1 = 1 LVDS | AGND | AGND | +VBD or M2 = 0 LVDS | Recommended configuration | 1 or 2 | See Figures 3,4 and 5,6,8 for more details |
| | 0 | 1 or 0 | 0 | See comments | | | See comments | | | |
| Multiple devices in daisy chain | 1st Device | 0 | 1 or 0 | 0 | See comments | | See comments | Set SYNC_I and SDI to logic 0 or + terminal to AGND and –ve terminal to +VBD | 1 or 2 | See Figures 3,4,11 and 6,12 for more details |
| | 2nd To last device | 0 | 0 | 1 | See comments | | See comments | | | |
| Multiple devices in cascade | 1st Device | 1 | 0 | 0 | +VBD or M1 = 1 LVDS | AGND | AGND or M2 = 0 LVDS ⁽¹⁾ | Maximum 3 devices supported at 2 MSPS | 1 or 2 | See Figures 3,4,14 and 6,15 for more details |
| | 2nd To last device | 1 | 0 | 1 | +VBD or M1 = 0 LVDS | AGND | AGND or M2 = 0 LVDS ⁽¹⁾ | | | |

(1) Specified polarity is suitable for a 100-Ω differential load across the LVDS outputs. However, polarity can be reversed to double the output current in order to support two 100-Ω loads on both ends of the transmission lines, resulting in 50-Ω net load.

DETAILED DESCRIPTION

SAMPLE AND CONVERT

The sampling and conversion process is controlled by the $\overline{\text{CSTART}}$ (LVDS) or $\overline{\text{CONVST}}$ (CMOS) signal. Both signals are functionally identical. The following diagrams show control with $\overline{\text{CONVST}}$. The rising edge of $\overline{\text{CONVST}}$ (or $\overline{\text{CSTART}}$) starts the sample phase, if the conversion has completed and the device is in the wait state. Figure 2 shows the case when the device is in the conversion phase at the rising edge of $\overline{\text{CONVST}}$. In this case, the sample phase starts immediately at the end of the conversion phase and there is no wait state.

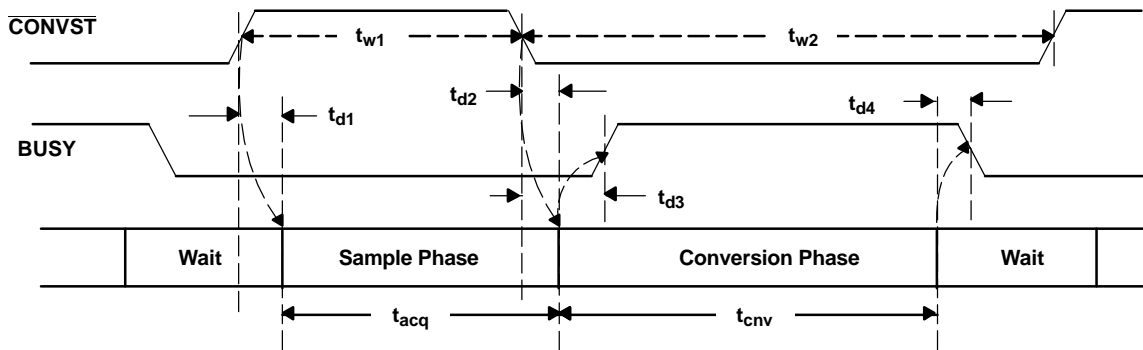


Figure 1. Sample and Convert With Wait (Less Than 2 MSPS Throughput)

DETAILED DESCRIPTION (continued)

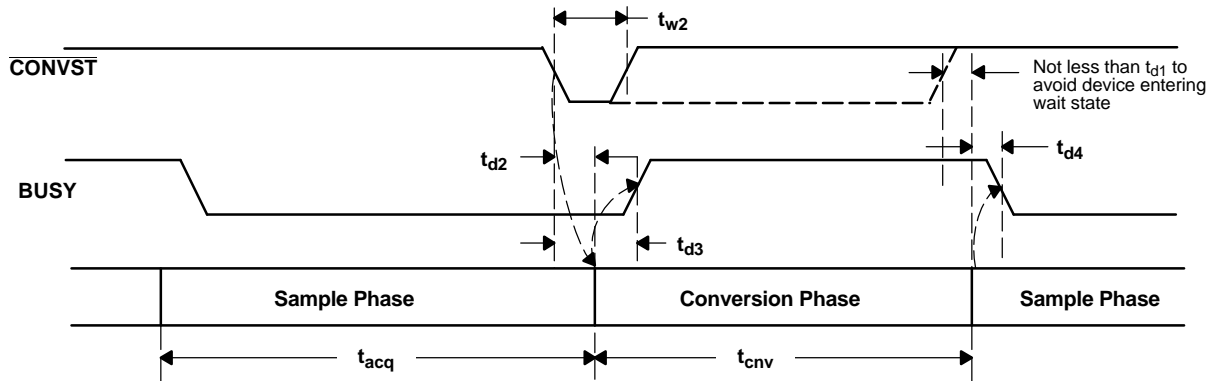


Figure 2. Sample and Convert With No Wait or *Back to Back* (2 MSPS Throughput)

The device ends the sample phase and enters the conversion phase on the falling edge of $\overline{\text{CONVST}}$ ($\overline{\text{CSTART}}$). A high level on the BUSY output indicates an ongoing conversion. The device conversion time is fixed. The falling edge of $\overline{\text{CONVST}}$ ($\overline{\text{CSTART}}$) during the conversion phase aborts the ongoing conversion. A data read after a conversion abort fetches invalid data. Valid data is only available after a sample phase and a conversion phase has completed. The timing diagram for control with $\overline{\text{CSTART}}$ is similar to Figure 1 and Figure 2. Table 2 shows the equivalent timing for control with $\overline{\text{CONVST}}$ and $\overline{\text{CSTART}}$.

Table 2. $\overline{\text{CONVST}}$ and $\overline{\text{CSTART}}$ Timing Control

| TIMING CONTROL WITH $\overline{\text{CONVST}}$ | TIMING CONTROL WITH $\overline{\text{CSTART}}$ |
|--|--|
| t_{w1} | t_{w3} |
| t_{w2} | t_{w4} |
| t_{d1} | t_{d5} |
| t_{d2} | t_{d6} |
| t_{d3} | t_{d7} |

DATA READ OPERATION

The ADS8413 supports a 200-MHz serial LVDS interface for data read operation. The three signal LVDS interface (SDO, CLK_O, and SYNC_O) is well suited for high-speed data transfers. An application with a single device or multiple devices can be implemented with a daisy chain or cascade configuration. The following sections discuss data read timing when a single device is used.

DATA READ FOR A SINGLE DEVICE (See Table 1 for Device Configuration)

For a single device, there are two possible read cycle starts: a data read cycle start during a wait or sample phase or a data read cycle start at the end of a conversion phase. Read cycle end conditions can change depending on MODE C/D selection. Figure 3 explains the data read cycle. The details of a read frame start with the two previous listed conditions and a read cycle end with MODE C/D selection are explained in Figure 5 and Figure 6 and Figure 7 and Figure 8, respectively.

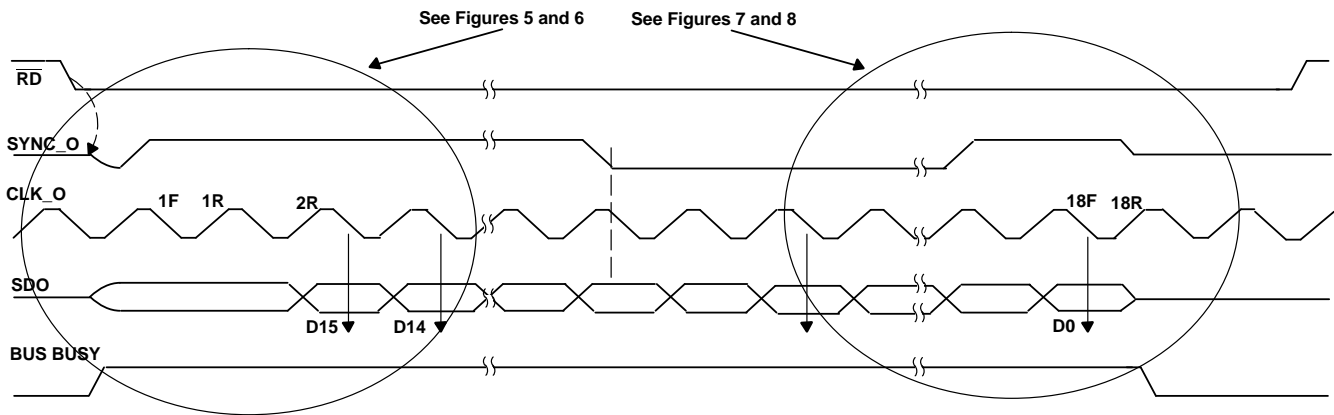


Figure 3. Data Read With \overline{CS} Low and BYTE = 0

As shown in [Figure 3](#), a new data read cycle is initiated with the falling edge of \overline{RD} , if \overline{CS} is low and the device is in a wait or sample phase. The device releases the LVDS o/p (SYNC_O, SDO) from 3-state and sets BUS_BUSY high at the start of the read cycle. The SYNC_O cycle is 16 clocks wide (rising edge to rising edge) if BYTE i/p is held low and can be used to synchronize a data frame. The clock count begins with the first CLK_O falling edge after a SYNC_O rising edge. The MSB is latched out on the second rising edge (2R) and each subsequent data bit is latched out on the rising edge of the clock. The receiver can shift data bits on the falling edges of the clock. The next rising edge of SYNC_O coincides with the 16th rising edge of the clock. D0 is latched out on the 17th rising edge of the clock. The receiver can latch the de-serialized 16-bit word on the 18th rising edge (18R, or the second rising edge after a SYNC_O rising edge).

\overline{CS} high during a data read 3-states SYNC_O and SDO. These signals remain in 3-state until the start of the next data read cycle.

DATA READ IN BYTE MODE

Byte mode is selected by setting BYTE = 1, this mode is allowed for any condition listed in [Table 1](#). [Figure 4](#) shows a data read operation in byte mode.

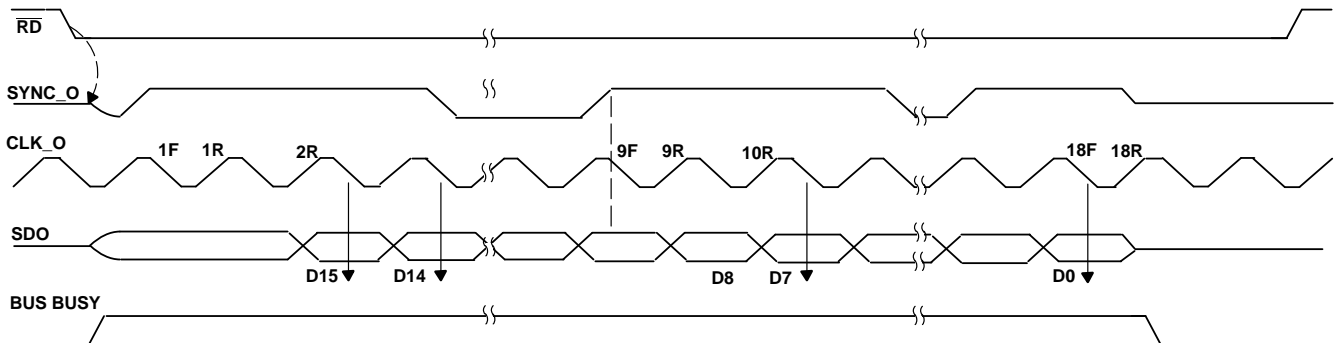


Figure 4. Data Read Timing Diagram with \overline{CS} Low and BYTE = 1

Similar to [Figure 3](#), a new data read cycle is initiated with the falling edge of \overline{RD} , if \overline{CS} is low and device is in a wait or sample phase. The device releases the LVDS o/p (SYNC_O, SDO) from 3-state and sets BUS_BUSY high at the start of the read cycle. The SYNC_O cycle is 8 clocks wide (rising edge to rising edge) if BYTE i/p is held high and can be used to synchronize a data frame. The clock count begins with the first CLK_O falling edge after a SYNC_O rising edge. The MSB is latched out on the second rising edge (2R) and each subsequent data bit is latched out on the rising edge of the clock. The receiver can shift data bits on the falling edges of the clock. The next rising edge of SYNC_O coincides with the 8th rising edge of the clock. D8 is latched out on the 9th rising edge of the clock. The receiver can latch the de-serialized higher byte on the 10th rising edge (10R, or second rising edge after a SYNC_O rising edge). The de-serialized lower byte can be latched on the 18th rising edge (18R).

\overline{CS} high during a data read 3-states SYNC_O and SDO. These signals remain in 3-state until the start of the next data read cycle.

DATA READ CYCLE START DURING WAIT OR SAMPLE PHASE

As shown in Figure 5, the falling edge of \overline{RD} , with \overline{CS} low and the device is in a wait or sample phase, triggers the start of a read cycle. The cycle starts when BUS_BUSY goes high and SYNC_O, SDO are released from 3-state. SYNC_O is low at the start and rises to a high level t_{d13} ns after the falling edge of \overline{RD} . As shown in Figure 5, the MSB is shifted on the 2nd rising edge of the clock (2R). Other details about the data read cycle are discussed in the previous section (see Figure 3).

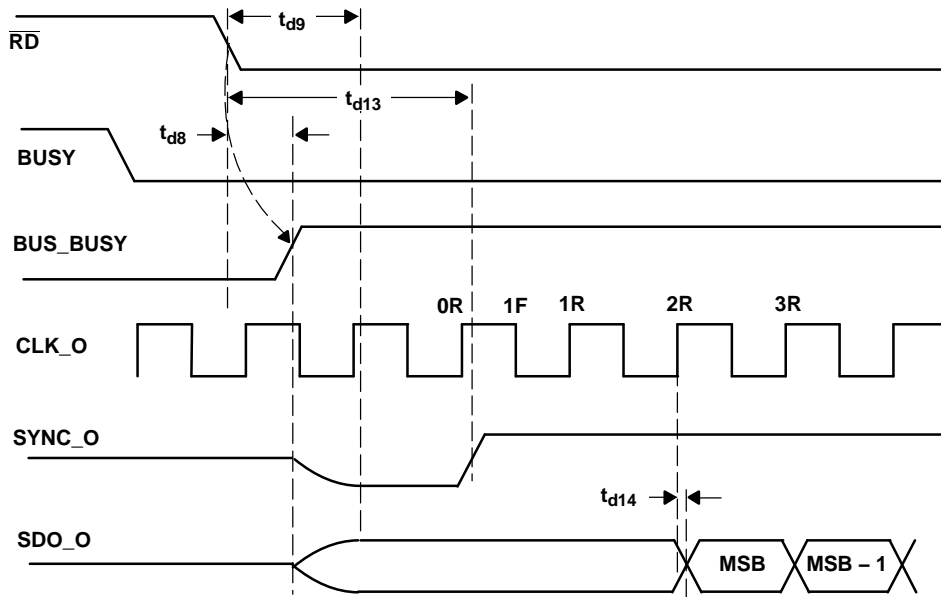


Figure 5. Start of Data Read Cycle with \overline{RD} with \overline{CS} Low and Device in Wait or Sample Phase

DATA READ CYCLE START AT END OF CONVERSION PHASE (Read Without Latency, Back-to-Back)

This mode is optimized for a data read immediately after the end of a conversion phase and ensures the data read is complete before the sample end while running at 2 MSPS. Point A in Figure 6 indicates 'pre_conversion_end'; it occurs t_{d19} ns before the falling edge of BUSY or $[(t_{d2} + t_{cnv} + t_{d4}) - t_{d19}]$ ns after the falling edge of \overline{CONVST} . A read cycle is initiated at point A if \overline{RD} is issued before point A while \overline{CS} is low. Alternately, \overline{RD} and \overline{CS} can be held low. At the start of the read cycle, BUS_BUSY rises to a high level and the LVDS outputs are released from 3-state. The rising edge of SYNC_O occurs t_{d12} ns after the conversion end. As shown in Figure 6, the MSB is shifted on the 2nd rising edge of the clock (2R). Other details about the data read cycle are discussed in the previous section (see Figure 3).

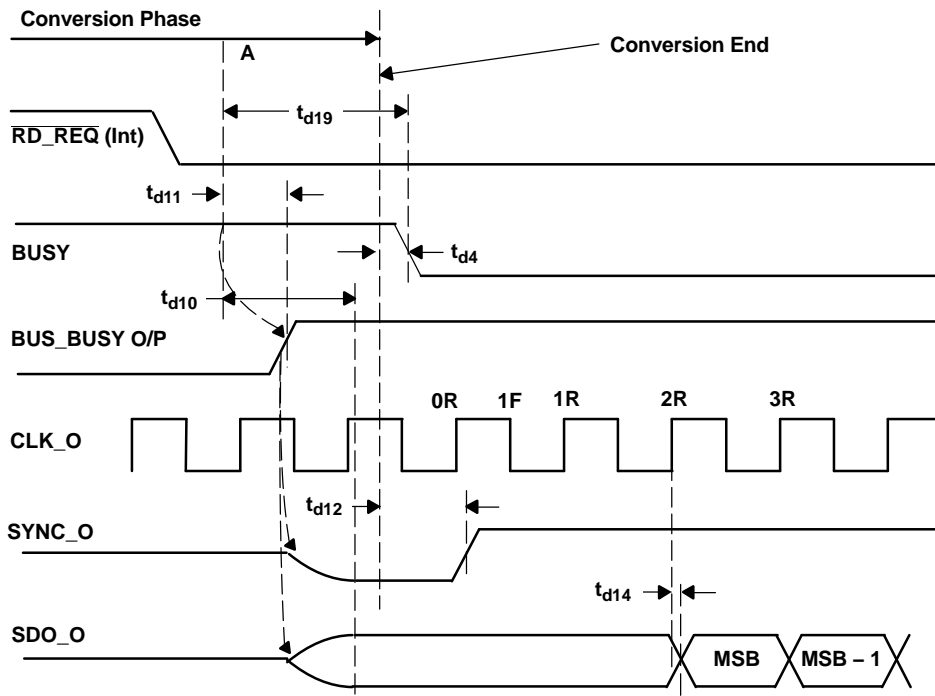


Figure 6. Start of Data Read Cycle with End of Conversion

DATA READ CYCLE END (With $\text{MODE } \overline{\text{C/D}} = 0$)

A data read cycle ends after all 16 bits have been serially latched out. Figure 7 shows the timing of the falling edge of BUS_BUSY and the rising edge of SYNC_O with respect to SDO. SYNC_O rises on the 16th rising edge of CLK_O. As shown in Figure 5 and Figure 6, the MSB is shifted out on the 2nd rising edge of CLK_O. Therefore, the LSB-1 is shifted out on the 16th rising edge of CLK_O.

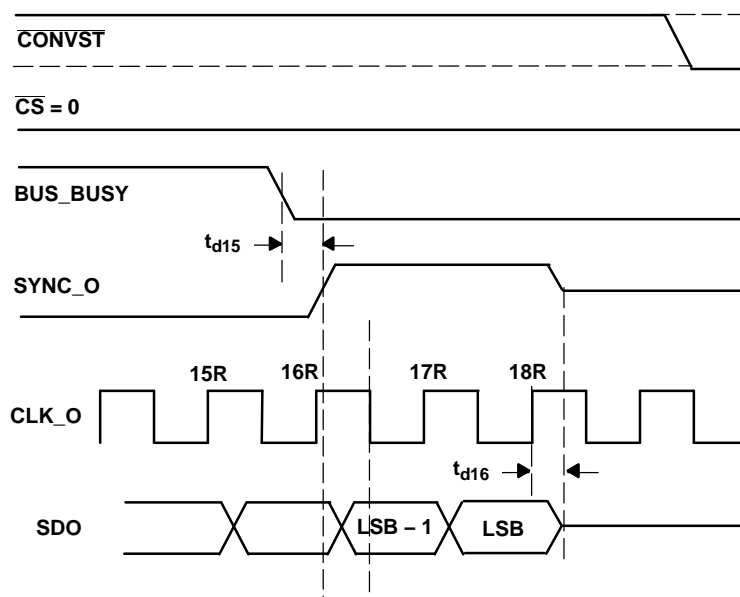


Figure 7. Data Read Cycle End with $\text{MODE } \overline{\text{C/D}} = 0$

The next two rising edges of CLK_O are shown as 17R and 18R in Figure 7. On 17R the LSB is latched out, and on 18R SDO and SYNC-O go to 3-state. Note that BUS_BUSY falls t_{d15} ns before the rising edge of SYNC_O when MODE C/D = 0. Care must be taken not to allow LVDS bus usage by any other device until the end of the read cycle or $(t_{d15} + 2/f_{clk} + t_{d16})$ ns after the falling edge of BUS_BUSY.

DATA READ CYCLE END (With MODE C/D = 1)

A data read cycle ends after all 16 bits have been serially latched out. Figure 8 shows the timing of the falling edge of BUS_BUSY and the rising edge of SYNC_O with respect to SDO. SYNC_O rises on the 16th rising edge of CLK_O. As shown in Figure 5 and Figure 6, the MSB is shifted out on the 2nd rising edge of CLK_O. Therefore, the LSB-1 is shifted out on the 16th rising edge of CLK_O.

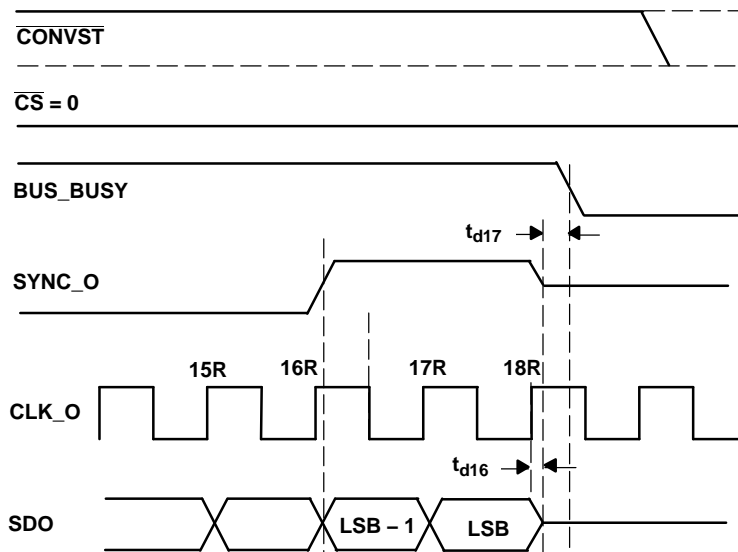


Figure 8. Data Read Cycle End with MODE C/D = 1

The next two rising edges of CLK_O are shown as 17R and 18R in Figure 8. On 17R the LSB is latched out and on 18R the SDO and SYNC_O go in 3-state. In cascade mode (with MODE C/D = 1) unlike daisy chain mode BUS_BUSY falling edge occurs after LVDS outputs are 3-state. One can use BUS_BUSY falling edge to allow the LVDS bus usage by any other device.

RESTRICTIONS ON READ CYCLE START

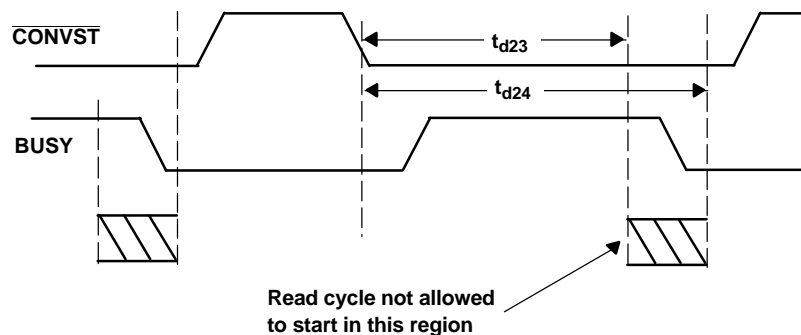


Figure 9. Read Cycle Restriction Region

The start of a data read cycle is not allowed in the region bound by t_{d23} and t_{d24} . Previous conversion results are available for a data read cycle start before this region, and current conversion results are available for a read cycle start after this region.

MULTIPLE DEVICES IN DAISY CHAIN OR CASCADE

Multiple devices can be connected in either a daisy chain or cascade configuration. The following sections describes detailed timing diagrams and electrical connections. The ADS8413 provides all of the hand-shake signals required for both of these modes. CONVST or CSTART is the only external signal needed for operation.

DAISY CHAIN

Figure 10 shows the first two devices in daisy chain. The signals shown by double lines are LVDS and the others are CMOS. Daisy chain mode is selected by setting $MODE_C/\bar{D} = 0$. The first device in the chain is identified by selecting $LAT_Y/\bar{N} = 0$.

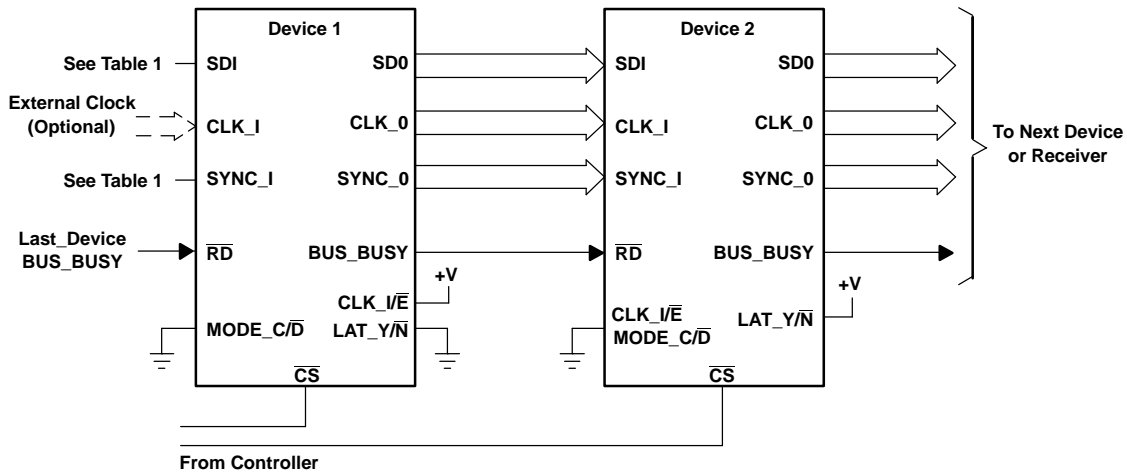


Figure 10. Connecting Multiple Devices in Daisy Chain

For all of the other devices in the chain $LAT_Y/\bar{N} = 1$. See Table 1 for more details on device configurations. SDO, CLK_O, and SYNC_O of device n are to be connected to SDI, CLK_I, and SYNC_I of the $n+1$ device. SDO, CLK_O, and SYNC_O of the last device in the chain go to the receiver. BUS_BUSY of device n is connected to \bar{RD} of device $n+1$ and so on. Finally, BUS_BUSY of the last device in the chain is connected to \bar{RD} of device 1. This ensures the necessary handshake to seamlessly propagate the data of all devices through the chain (it is also allowed to tie $\bar{RD} = 0$ for device 1).

TIMING DIAGRAMS FOR DAISY CHAIN OPERATION

The conversion speed for n devices in the chain must be selected such that:

$$1/\text{conversion speed} > \text{read startup delay} + n \cdot (\text{data frame duration}) + t_{d16}$$

$$\text{Read startup delay} = 10 \text{ ns} + (t_{d19} - t_{d4}) + t_{d12} + 2/f_{\text{CLK}}$$

$$\text{Data frame duration} = 16/f_{\text{CLK}}$$

Note that it is not necessary for all devices in the chain to sample the data simultaneously. But all of the devices must operate with the same exact conversion speed.

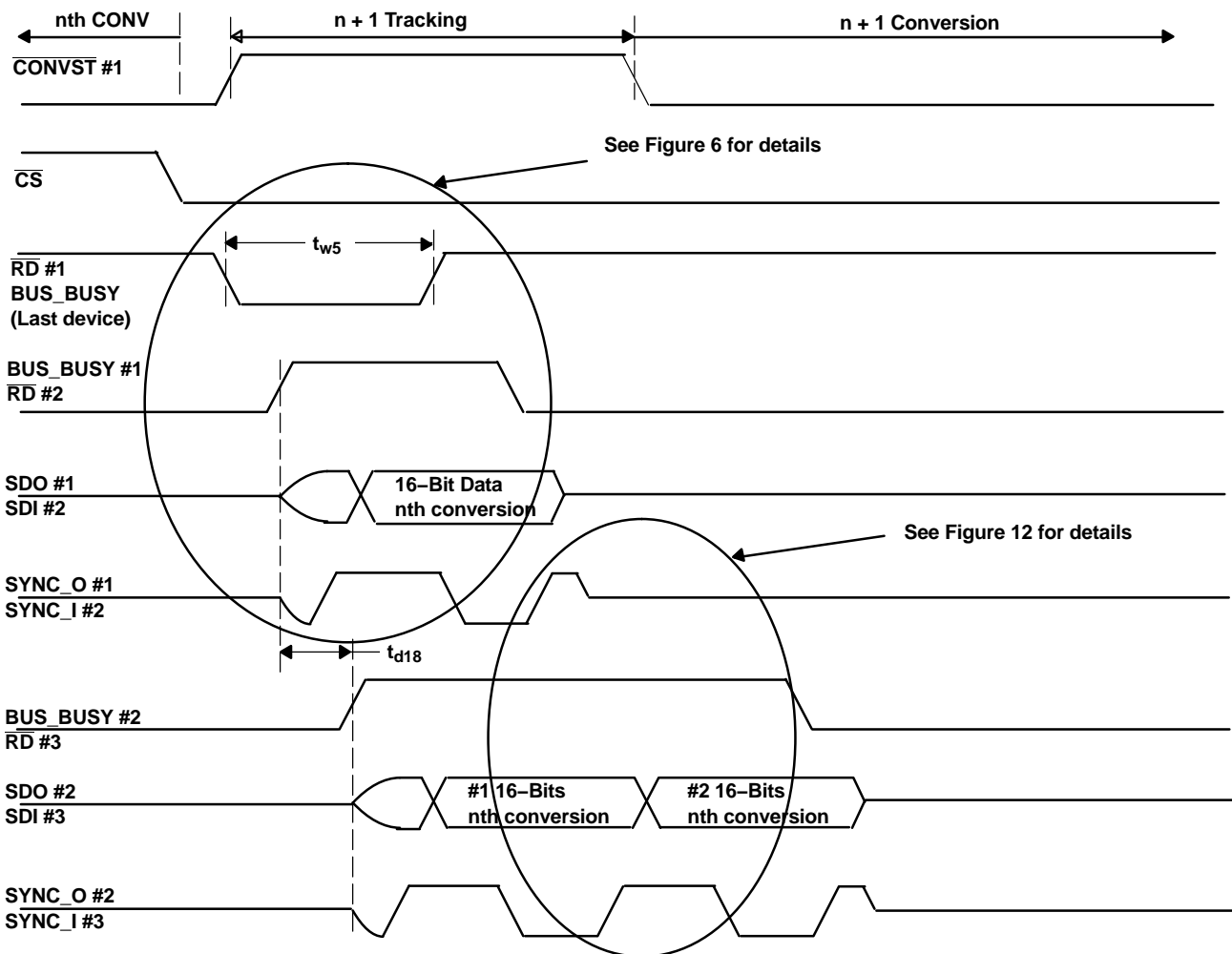


Figure 11. Data Read Operation for Devices in Daisy Chain

DATA READ OPERATION

On power up, BUS_BUSY of all of the devices is low. The devices receive $\overline{\text{CONVST}}$ or $\overline{\text{CSTART}}$ to sample and start the conversion. The first device in the chain starts the data read cycle at the end of its conversion. BUS_BUSY of device 1 (connected to $\overline{\text{RD}}$ of device 2) goes high on the read cycle start. Device 2 BUS_BUSY goes high on the rising edge of $\overline{\text{RD}}$. This propagates until the last device in the chain. Device 2 receives CLK_I, SDI, and SYNC_I from device 1 and it passes all of these signals to the next device. Device 2 (and every subsequent device in the chain) passes the received signals to its output until it sees the falling edge of $\overline{\text{RD}}$ (same as BUS_BUSY of the previous device). In daisy chain mode, BUS_BUSY for any device falls when it has passed all of the previous device data followed by its own data. The falling edge of BUS_BUSY occurs before the rising edge of SYNC_O. This indicates to the receiving device that the previous data chain is over and it is its own turn to output the data. The device outputs the data from the last completed conversion. BUS_BUSY of the last device in the chain is fed back to $\overline{\text{RD}}$ of the first device as shown in Figure 10 (or device 1 $\overline{\text{RD}}$ tied to 0). This makes sure that $\overline{\text{RD}}$ of device 1 is low before its conversion is over. The chain continues with only one external signal ($\overline{\text{CONVST}}$ or $\overline{\text{CSTART}}$) when $\overline{\text{CS}}$ is held low. Every device LVDS output goes to 3-state once all data transfer through the device has been completed.

$\overline{\text{CS}}$ going high during the data read cycle of any device 3-states its SYNC_O and SDO. This halts the propagation of data through the chain. To reset this condition it is necessary to assert $\overline{\text{CS}}$ high for all devices. The new read sequence starts only after $\overline{\text{CS}}$ for all devices is low before point A as shown in Figure 6. The high pulse on $\overline{\text{CS}}$ must be at least 20 ns wide. It is better to connect $\overline{\text{CS}}$ of all of the devices together to avoid undesired halting of the daisy chain.

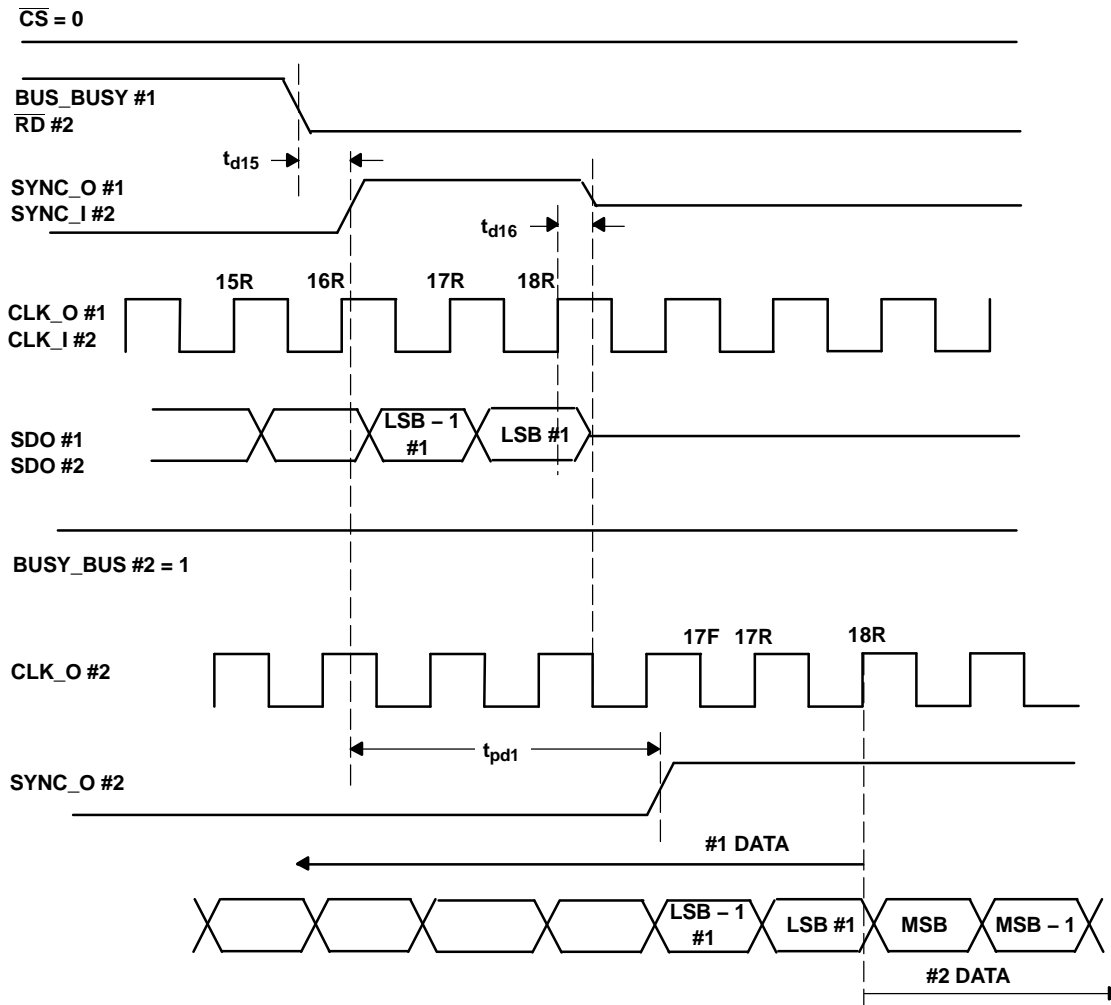


Figure 12. Data Propagation from Device *n* to Device *n+1* in Daisy Chain Mode

As shown in Figure 12 there is a propagation delay of t_{pd1} from $SYNC_I$ to $SYNC_O$ or SDI to SDO . Note that the data frames of all devices in the chain appear seamless at the last device output. The rising edge of $SYNC_O$ occurs at an interval of 16 clocks (or 8 clocks in BYTE mode); this can be used as a data frame sync. The deserializer at the output of the last device can shift the data on every falling edge of the clock and it can latch the parallel 16-bit word on the second rising edge of CLK_O (shown as 18R) after every rising edge of $SYNC_O$.

CASCADE

Figure 13 shows the cascade connection. The signals shown with double lines are LVDS and the others are CMOS. Cascade mode is selected by setting $MODE_C/D = 1$. Similar to daisy chain, the first device in the chain is identified by selecting $LAT_Y/\overline{N} = 0$. For all other devices in the chain $LAT_Y/\overline{N} = 1$. See Table 1 for more details on device configuration. SDO , CLK_O , and $SYNC_O$ are connected to the common bus. This means only one device occupies the bus at a time, while LVDS drivers for all other devices 3-state. Unlike SDO and $SYNC_O$, the clock cannot be switched out from device to device as the receiver requires a continuous clock. So only device 1 outputs the clock and CLK_O of all other devices is 3-stated by appropriately setting $M1+$ and $M1-$ as listed in Table 1.

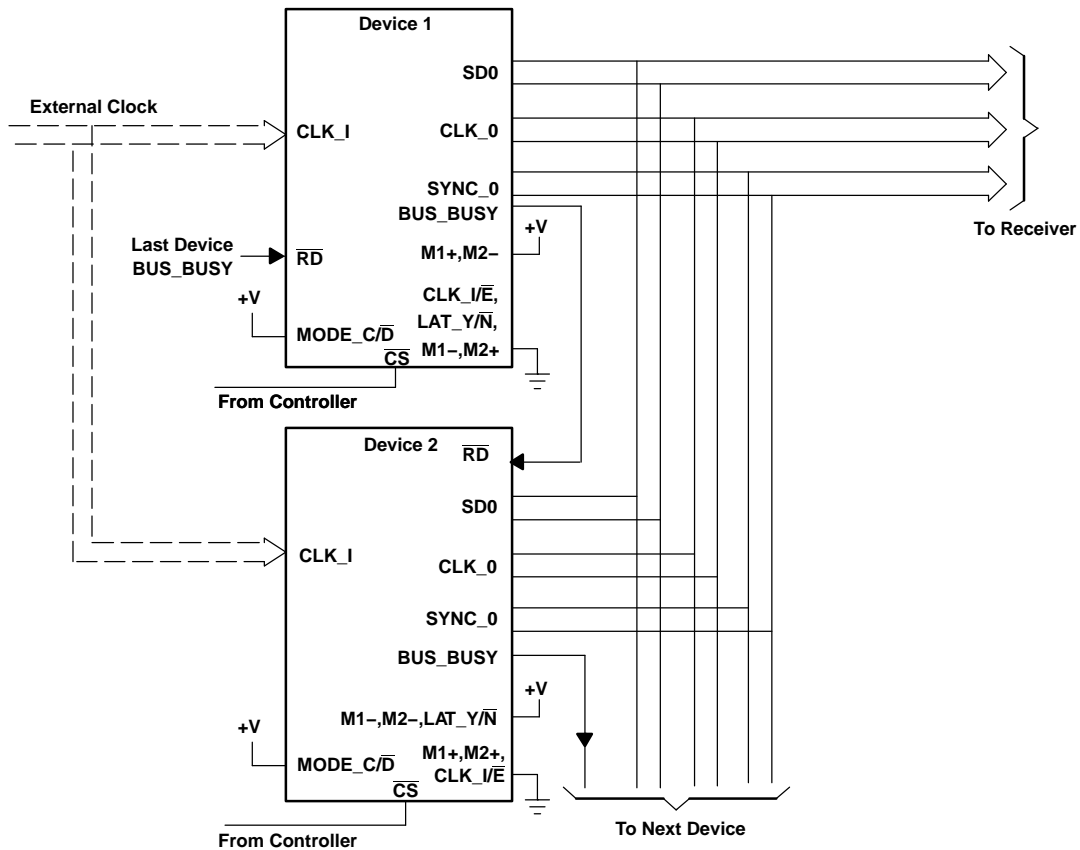


Figure 13. Cascade Connection

CLOCK SOURCE

In this mode it is very critical to control the skew between the three LVDS o/p signals. It is recommended to use external clock mode only for all of the devices in cascade. BUS_BUSY of device n is connected to \overline{RD} of device n + 1 and so on. Finally BUS_BUSY of the last device in the chain is to be connected to \overline{RD} of device 1. This ensures the necessary handshake to control the sequence of data reads for all of the devices in cascade. (It is also allowed to tie \overline{RD} to 0 for device 1.)

TIMING DIAGRAMS FOR CASCADE OPERATION

The conversion rate for n devices in cascade must be selected such that:

$1/\text{conversion speed} > \text{first device read cycle duration} + (n - 1) \text{ next device read cycle duration}$

First device read cycle duration = read startup delay₁ + data frame duration + ($t_{d16} + t_{d17}$)

Next device read cycle duration = read startup delay_n + data frame duration + ($t_{d16} + t_{d17}$)

Read startup delay₁ = 10 ns + ($t_{d19} - t_{d4} + t_{d12}$) + $2/f_{clk}$

Read startup delay_n = ($t_{d13} + 2/f_{clk}$)

Data frame duration = $16/f_{clk}$

Note that it is not necessary that all devices in the chain to sample the data simultaneously. But all of the devices must operate with the same exact conversion speed.

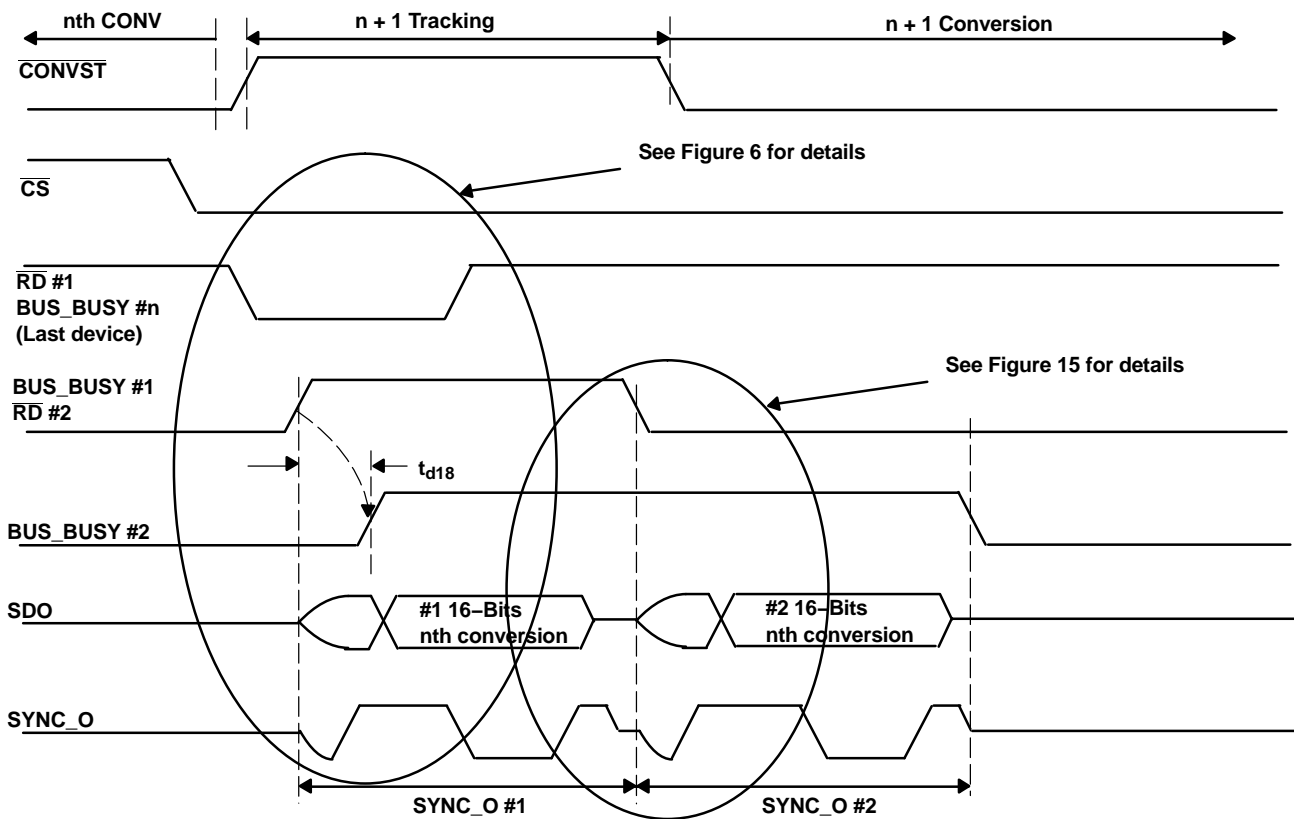


Figure 14. Data Read Operation for Devices in Cascade Mode

DATA READ OPERATION

On power up, BUS_BUSY for all of the devices is low. The devices receive $\overline{\text{CONVST}}$ or $\overline{\text{CSTART}}$ to sample and start the conversion. The first device starts the data read cycle at the end of its conversion. BUS_BUSY of device 1 (connected to $\overline{\text{RD}}$ of device 2) goes high on the read cycle start, indicating that it wants to occupy the bus. Device 2 BUS_BUSY goes high on the rising edge of $\overline{\text{RD}}$. This propagates until the last device.

Device 1 BUS_BUSY goes low after it outputs its data, at this time SDO and SYNC_O for device 1 go to 3-state. The falling edge of BUS_BUSY ($\overline{\text{RD}}$ of the next device) indicates to the next device that it is its turn to output the data. The next device outputs the data from the last completed conversion. BUS_BUSY of the last device goes low and its SYNC_O and SDO go to 3-state after it outputs its data. BUS_BUSY of the last device is fed back to $\overline{\text{RD}}$ of the first device as shown in Figure 13 ($\overline{\text{RD}}$ can also be tied to 0 for device 1). This ensures that $\overline{\text{RD}}$ of device 1 is low before its conversion is over. The data read sequence continues with only one external signal, $\overline{\text{CONVST}}$ or $\overline{\text{CSTART}}$, when $\overline{\text{CS}} = 0$. For any device, $\overline{\text{CS}}$ high during the data read cycle 3-states SYNC_O and SDO of the device and halts the data read sequence. To reset this condition it is necessary to assert $\overline{\text{CS}}$ high for all of the devices. The new read sequence starts only after $\overline{\text{CS}}$ for all of the devices is low before point A as shown in Figure 6. The high pulse on $\overline{\text{CS}}$ must be at least 20 ns wide. It is better to connect $\overline{\text{CS}}$ for all of the devices together to avoid undesired halting of the data read sequence.

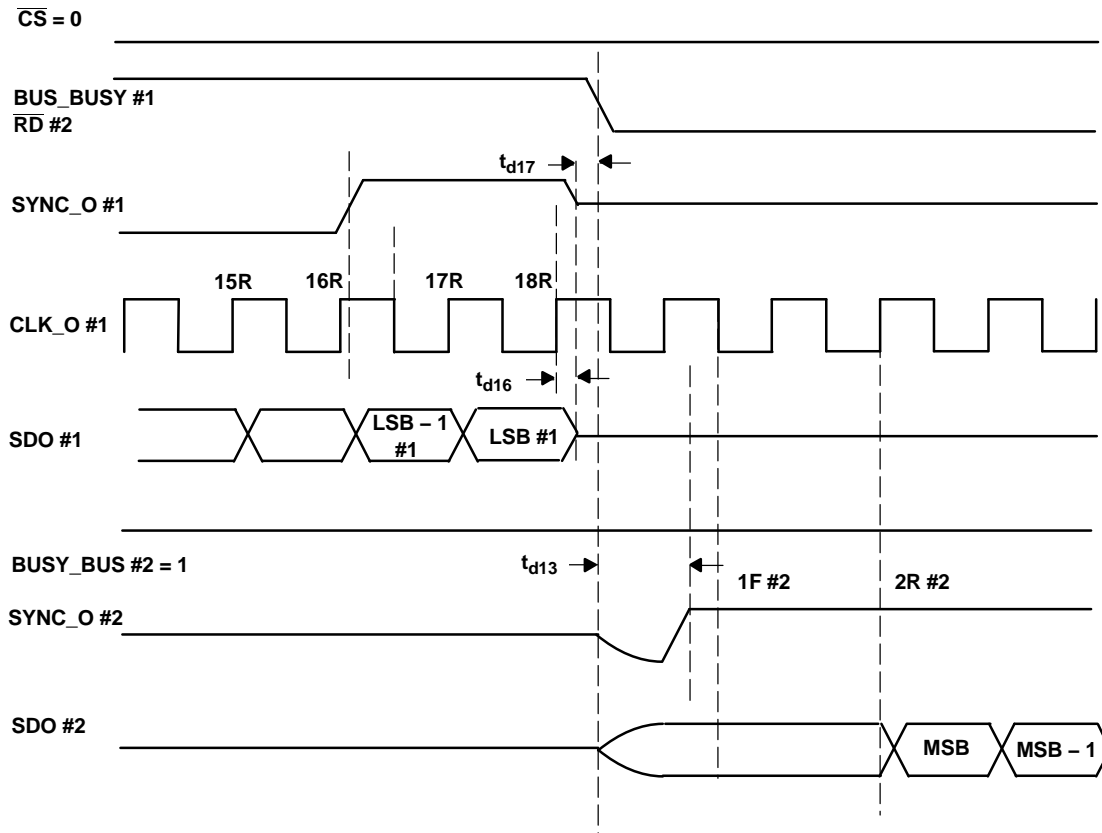


Figure 15. Device n Read Cycle End and Device n+1 Read Cycle Start

Unlike daisy chain, the data frames of all the devices in cascade are not seamless and there is a loss of time between one device 3-state to other device data valid due to wakeup time from 3-state and a two clock phase shift between SYNC and data (see Figure 15 for details). As a result, the number of data frames per second in this mode is less than in daisy chain mode. Also, a maximum of 4 devices can be cascaded on the same bus. But, I/O power per device is considerably lower in cascade as compared to daisy chain as each device LVDS o/p goes to 3-state after its data transfer. The deserializer at the output of the last device can shift the data on every clock falling edge, and it can latch the parallel 16-bit word on the second CLK_O rising edge (shown as 18R) after every SYNC_O rising edge.

THEORY OF OPERATION

The ADS8413 is a member of the high-speed successive approximation register (SAR) analog-to-digital converters family. The architecture is based on charge redistribution, which inherently includes a sample/hold function. The device includes a built-in conversion clock, internal reference, and 200-MHz LVDS serial interface. The device can be operated at maximum throughput of 2 MSPS.

ANALOG INPUT

An analog input is provided to two input pins: +IN and -IN. When a conversion is initiated, the voltage difference between these pins is sampled on the internal capacitor array. While a conversion is in progress, both inputs are disconnected from any internal function.

THEORY OF OPERATION (continued)

Care must be taken regarding the absolute analog input voltage. To maintain the linearity of the converter, both -IN and +IN inputs should be within the limits specified. Outside of these ranges, the converter linearity may not meet specifications. Care should be taken to ensure that +IN and -IN see the same impedance to the respective sources. If this is not observed, the two inputs could have different setting times. This may result in offset error, gain error, and linearity error which changes with temperature and input voltage.

REFERENCE

The ADS8413 has a built-in 4.096-V (nominal value) reference. The ADS8413 can also operate with an external reference. When the internal reference is used, pin 14 (REFOUT) should be connected to pin 13 (REFIN), and a 0.1- μ F decoupling capacitor and 1- μ F storage capacitor must be connected between pin 14 (REFOUT) and pins 11 and 12 (REFM) (see Figure 18). The internal reference of the converter is buffered.

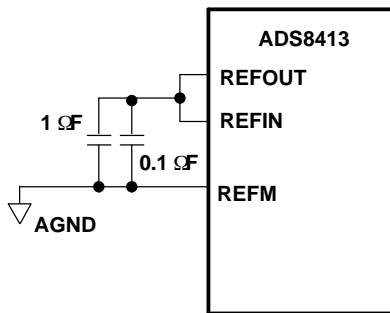


Figure 18. Using Internal Reference

The REFIN pin is also internally buffered. This eliminates the need to put a high bandwidth buffer onboard to drive the ADC reference and saves system area and power. When an external reference is used, the reference must be low noise, which can be achieved by the additional bypass capacitor from the REFIN pin to the REFM pin (see Figure 19). REFM must be connected to the analog ground plane.

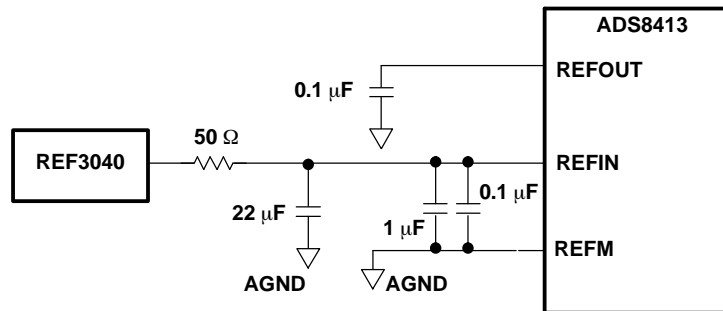


Figure 19. Using External Reference

DIGITAL INTERFACE

TIMING AND CONTROL

Refer to the timing diagrams and TIMING REQUIREMENTS table for detailed information.

SAMPLING AND CONVERSION

Sampling and conversion is controlled by the $\overline{\text{CONVST}}$ pin. For higher noise performance it is essential to have low jitter on the falling edge of $\overline{\text{CONVST}}$. The device uses the internally generated clock for conversion, hence it has a fixed conversion time.

THEORY OF OPERATION (continued)

READING DATA

The ADS8413 includes a high-speed LVDS serial interface. As discussed prior, an external clock (CLK_I, less than 200 MHz) or an internal 200-MHz clock can be used for a data read. The device outputs data in two's complement format. [Table 3](#) lists the ideal output codes.

Table 3. Ideal Input Voltages and Output Codes

| DESCRIPTION | ANALOG VALUE (+IN – (–IN)) | HEX CODE |
|-----------------------------|-------------------------------|----------|
| Full-scale range | $2(+V_{ref})$ | – |
| Least significant bit (LSB) | $2(+V_{ref})/2^{16}$ | – |
| Full scale | $V_{ref} - 1 \text{ LSB}$ | 7FFF |
| Midscale | 0 V | 0000 |
| Midscale – 1LSB | $0 \text{ V} - 1 \text{ LSB}$ | FFFF |
| –Full scale | $-V_{ref}$ | 8000 |

The restrictions on read cycle start are described in the section RESTRICTIONS ON READ CYCLE START (see Figure 9).

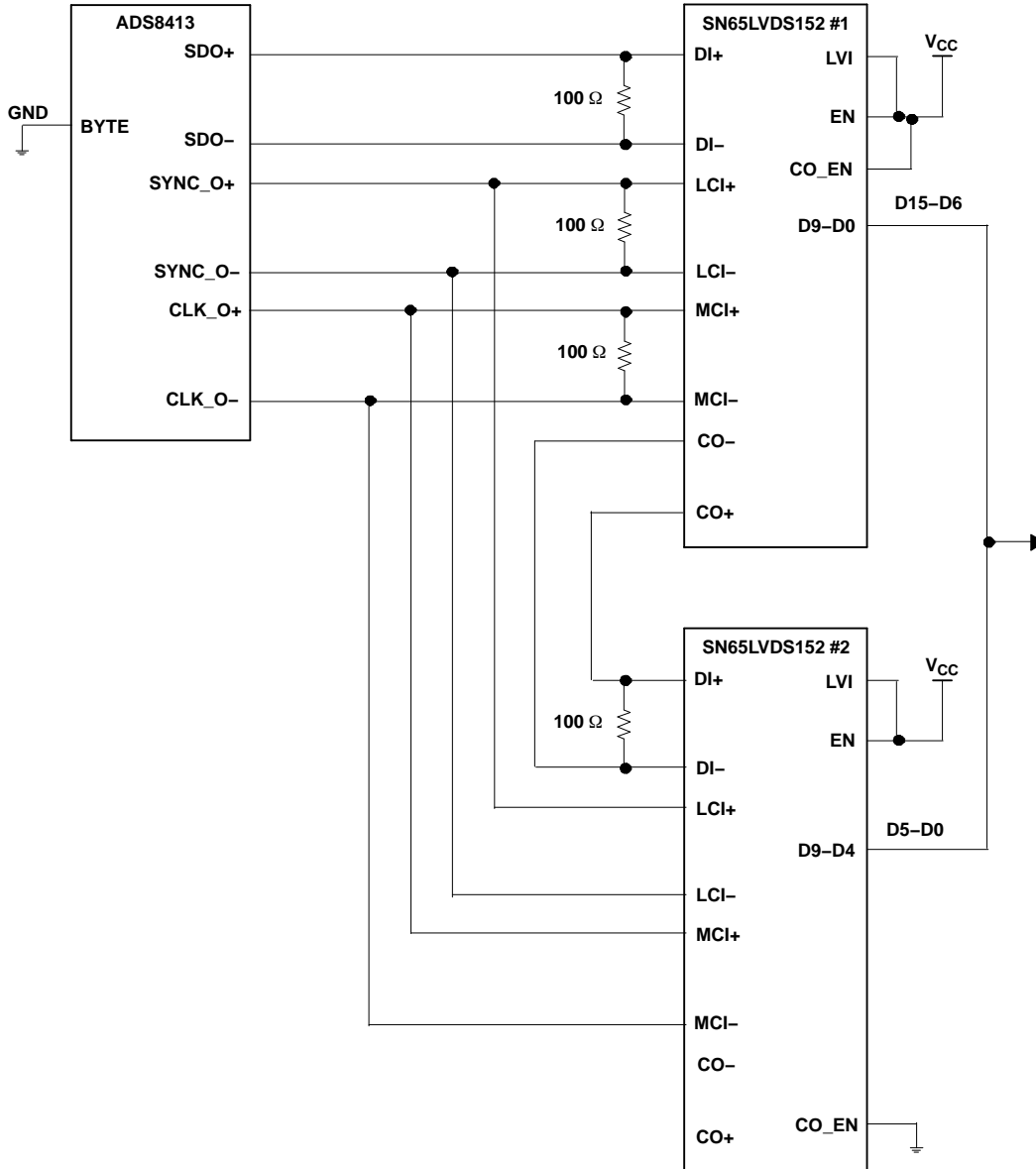


Figure 20. 16-Bit Data De-Serialization While BYTE = 0

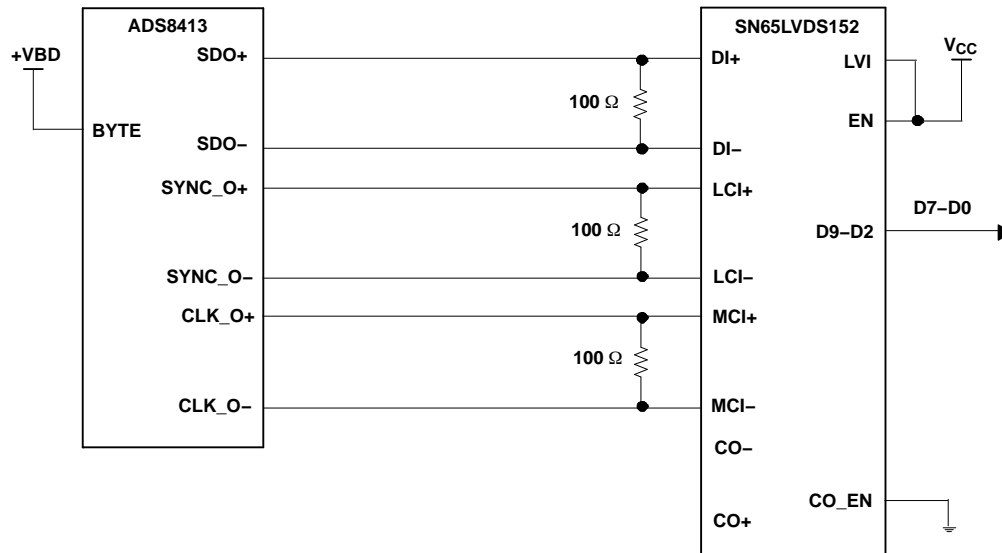


Figure 21. 8-Bit Data De-Serialization While BYTE = 1, Data

POWER SAVING

The converter provides two power saving modes, full powerdown and nap. Table 4 lists information on the activation/deactivation and resumption times for both modes.

Table 4. Powerdown Modes

| POWERDOWN MODE | SDO | POWER CONSUMPTION | ACTIVATED BY | ACTIVATION TIME | RESUME POWER BY |
|-------------------------------------|--------------------------------------|-------------------|----------------------------|-----------------|----------------------------|
| Normal operation | Refer to DATA READ OPERATION section | 58 mA | NA | NA | NA |
| Full powerdown (internal reference) | 3 Stated | 1 μ A | $\overline{\text{PD}} = 0$ | t_{d21} | $\overline{\text{PD}} = 1$ |
| Full powerdown (external reference) | 3 Stated | 1 μ A | $\overline{\text{PD}} = 0$ | t_{d21} | $\overline{\text{PD}} = 1$ |
| Nap powerdown | Not 3 stated | 25 mA | Nap = 1 | 150 ns | Sample start |

FULL POWERDOWN MODE

Full powerdown mode is activated by deasserting $\overline{\text{PD}} = 0$; the device takes t_{d21} ns to reach the full powerdown state. The device can return to normal mode from full powerdown by asserting $\overline{\text{PD}} = 1$. The powerup sequence is different for device operation with an internal reference or external reference as shown in Figure 22 and Figure 23.

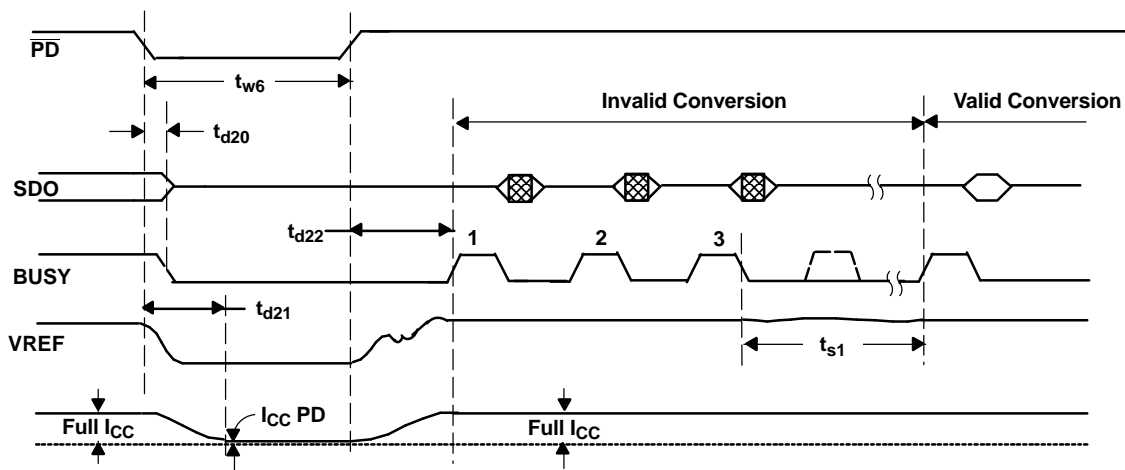


Figure 22. Device Full Powerdown and Powerup Sequence with Device Operation in Internal Reference Mode

When an internal reference is used, a conversion can be started t_{d22} ns after asserting $\overline{PD} = 1$. After the first three conversions, t_{s1} ns are required for reference voltage settling to the trimmed value. Any conversions after this provide data at the specified accuracy.

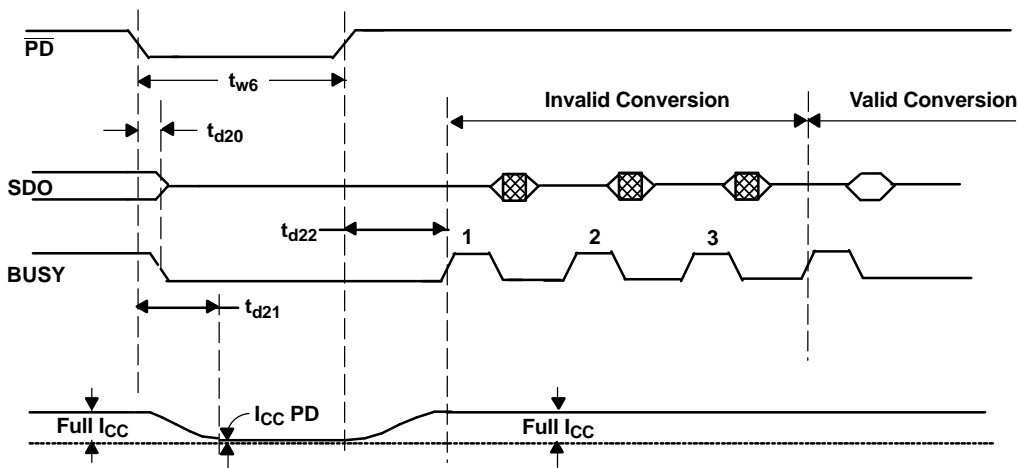


Figure 23. Device Full Powerdown and Powerup Sequence with Device Operation in External Reference Mode

When an external reference is used, a conversion can be started t_{d22} ns after asserting $\overline{PD} = 1$. The first three conversions are required for internal circuit stabilization. Any conversions after this provide data at the specified accuracy.

NAP MODE

The device automatically enters the nap state if $nap = 1$ at end of a conversion, and it remains in the nap state until the start of the sampling phase. A minimum of 150 ns is required after a sample start for the device to come out of the nap state and to perform normal sampling. So the minimum sampling time needed for nap mode is $t_{acc(min)} + 150$ ns, or the maximum conversion speed in nap mode is 1.5 MHz.

LAYOUT

For optimum performance, care should be taken with the physical layout of the ADS8413 circuitry. The device offers single-supply operation, and it is often used in close proximity with digital logic, FPGA, microcontrollers, microprocessors, and digital signal processors. The more digital logic present in the design and the higher the switching speed, the more difficult it is to achieve good performance from the converter.

The basic SAR architecture is sensitive to glitches or sudden changes on the power supply, reference, ground connections, and digital inputs that occur just prior to the end of sampling and just prior to latching the output of the analog comparator during the conversion phase. Such glitches might originate from switching power supplies, nearby digital logic, or high power devices. Noise during the end of sampling and the later half of a conversion must be kept to a minimum (the former half of a conversion is not very sensitive since the device uses a proprietary error correction algorithm to correct for transient errors during this period).

The degree of error in the digital output depends on the reference voltage, layout, and the exact timing of the external event. On average, the device draws very little current from an external reference as the reference voltage is internally buffered. If the reference voltage is external and originates from an op amp, make sure that it can drive the bypass capacitor or capacitors without oscillation. A 0.1- μ F bypass capacitor and 1- μ F storage capacitor are recommended from REFIN directly to REFV.

The AGND and BDGND pins should be connected to a clean ground point. In all cases, this should be the analog ground. Avoid connections that are too close to the grounding point of a microcontroller or digital signal processor. If required, run a ground trace directly from the converter to the power supply entry point. The ideal layout consists of an analog ground plane dedicated to the converter and associated analog circuitry.

As with the AGND connections, +VA should be connected to a +5-V power supply plane that is separate from the connection for +VBD and digital logic until they are connected at the power entry point onto the PCB. Power to the ADC should be clean and well bypassed. A 0.1- μ F ceramic bypass capacitor should be placed as close to the device as possible. See Table 5 for the placement of the capacitor. In addition to the 0.1- μ F capacitor, a 1- μ F capacitor is recommended. In some situations, additional bypassing may be required, such as a 100- μ F electrolytic capacitor or even a Pi filter made up of inductors and capacitors; all designed to essentially low-pass filter the +5-V supply, thus removing the high frequency noise.

Table 5. Power Supply Decoupling Capacitor Placement

| POWER SUPPLY PLANE | CONVERTER ANALOG SIDE | CONVERTER DIGITAL SIDE |
|---|---|------------------------|
| SUPPLY PINS | | |
| Pair of pins require a shortest path to decoupling capacitors | (9,10) (16,17) (20,21) (22,23) (26,27 or 25,26) (36,37) | (44,45) |

TYPICAL CHARACTERISTICS

HISTOGRAM (DC CODE SPREAD AT THE CENTER OF CODE)

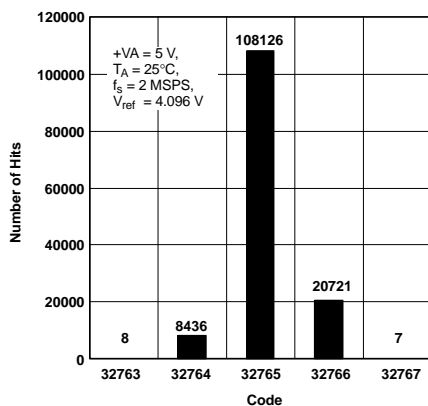


Figure 24.

HISTOGRAM (DC CODE SPREAD WITH I/P CLOSE TO FS)

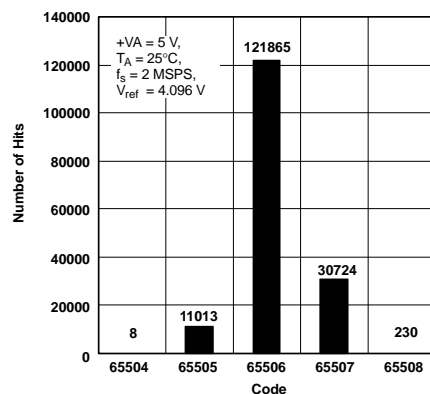


Figure 25.

EFFECTIVE NUMBER OF BITS VS FREE-AIR TEMPERATURE

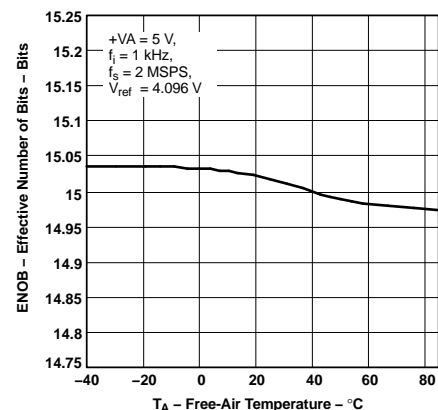


Figure 26.

TYPICAL CHARACTERISTICS (continued)

**SIGNAL TO NOISE AND DISTORTION
vs
FREE-AIR TEMPERATURE**

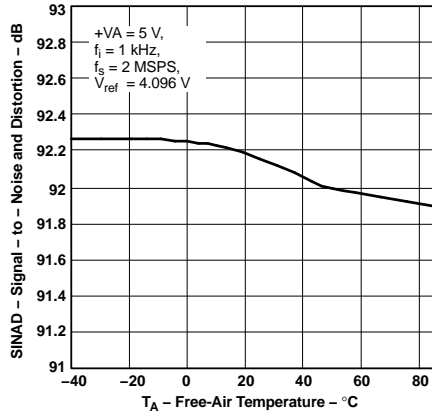


Figure 27.

**SIGNAL TO NOISE RATIO
vs
FREE-AIR TEMPERATURE**

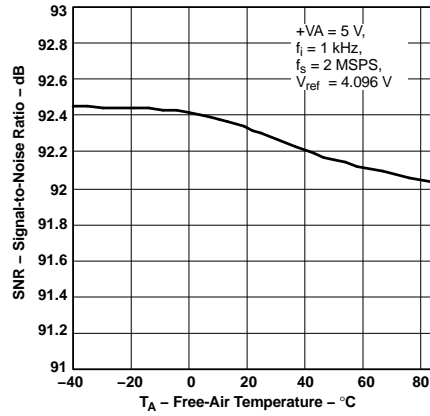


Figure 28.

**SPURIOUS FREE DYNAMIC RANGE
vs
FREE-AIR TEMPERATURE**

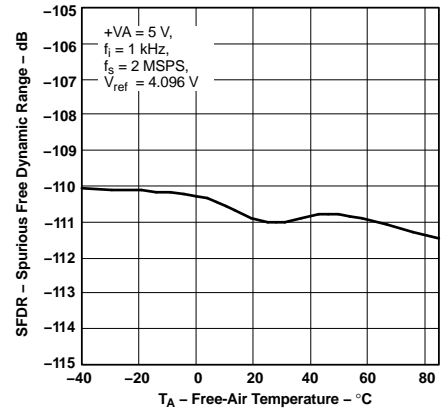


Figure 29.

**TOTAL HARMONIC DISTORTION
vs
FREE-AIR TEMPERATURE**

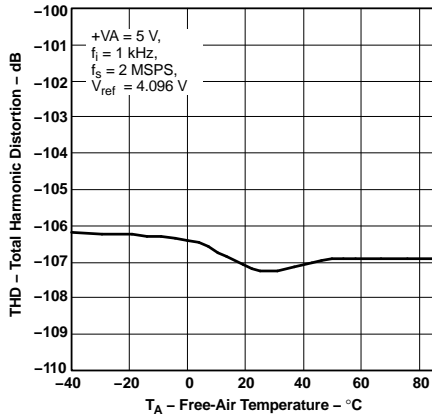


Figure 30.

**EFFECTIVE NUMBER OF BITS
vs
INPUT FREQUENCY**

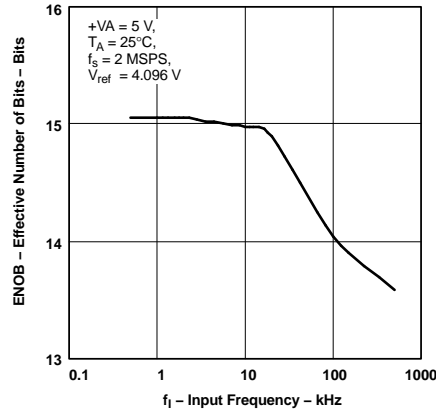


Figure 31.

**SIGNAL TO NOISE AND DISTORTION
vs
INPUT FREQUENCY**

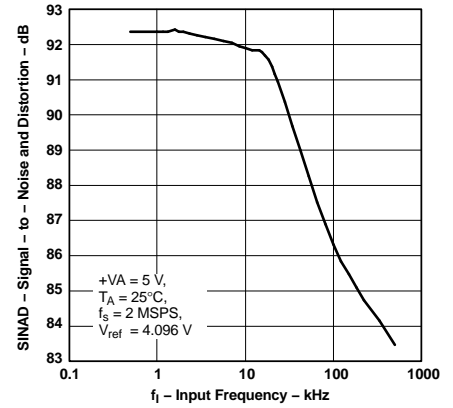


Figure 32.

TYPICAL CHARACTERISTICS (continued)

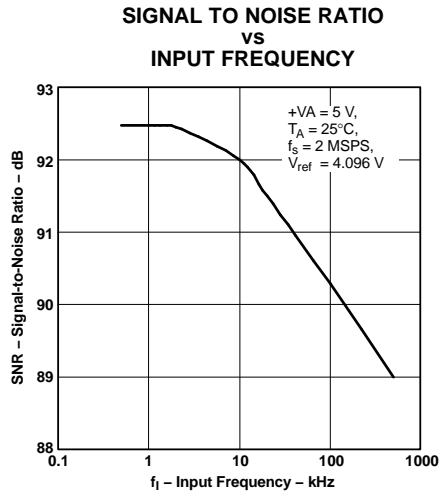


Figure 33.

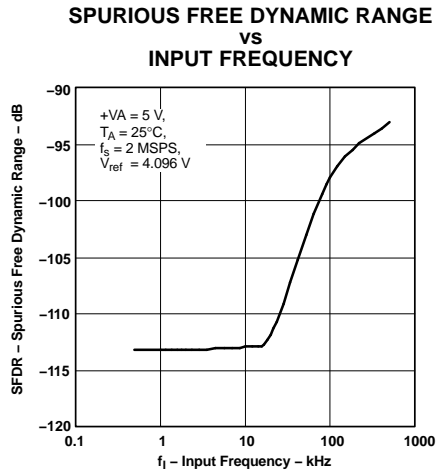


Figure 34.

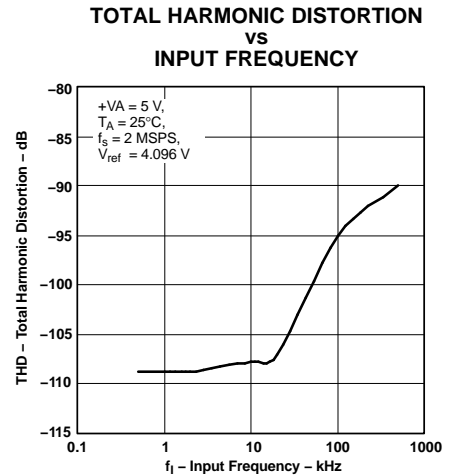


Figure 35.

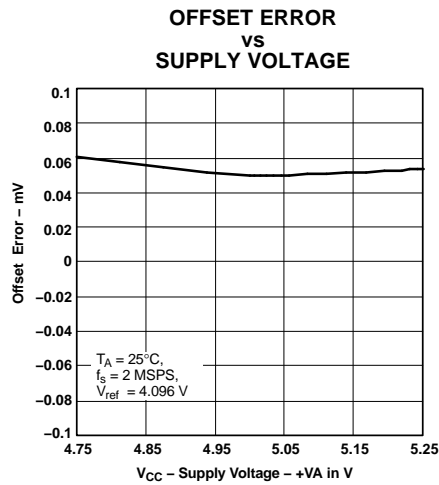


Figure 36.

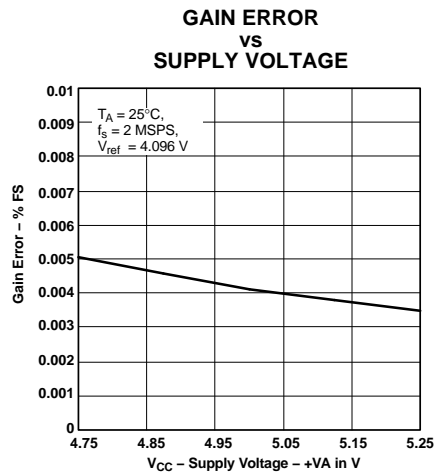


Figure 37.

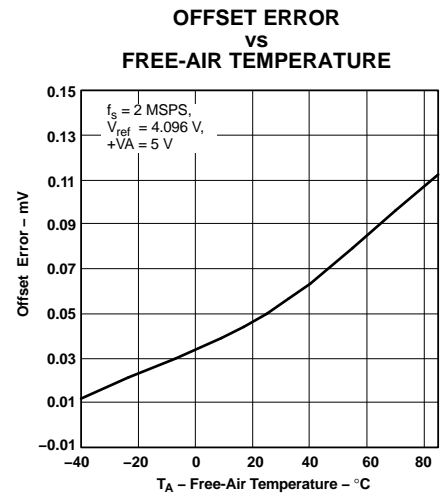


Figure 38.

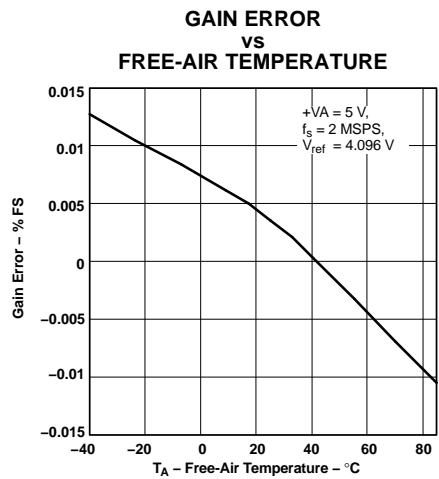


Figure 39.

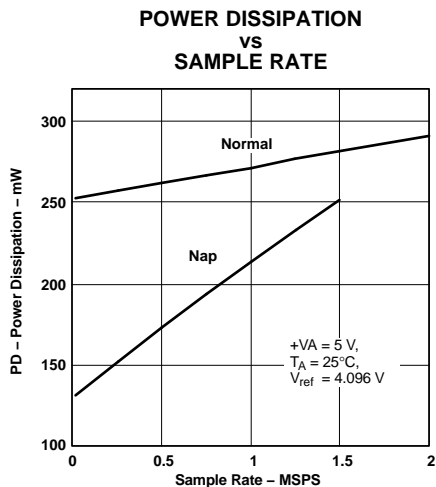


Figure 40.

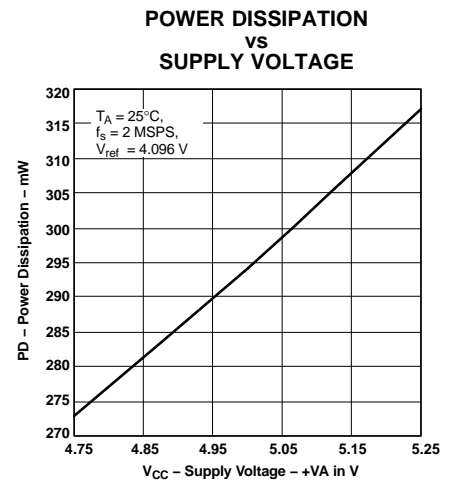


Figure 41.

TYPICAL CHARACTERISTICS (continued)

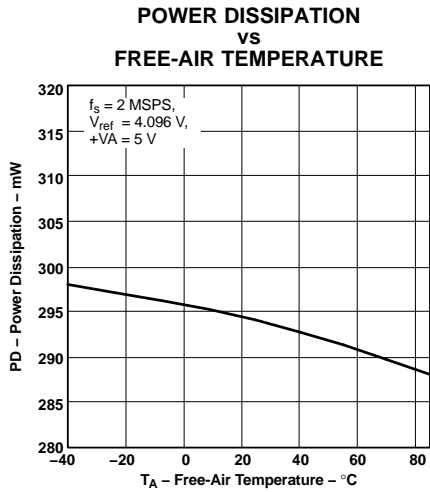


Figure 42.

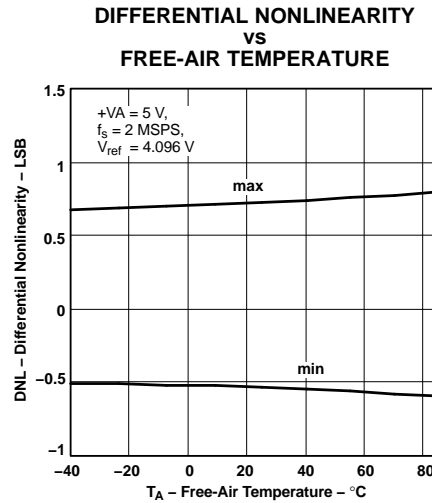


Figure 43.

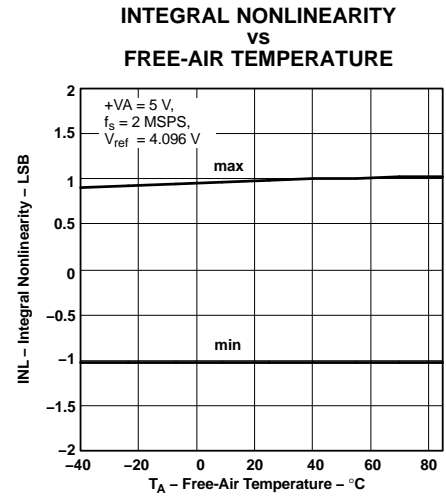


Figure 44.

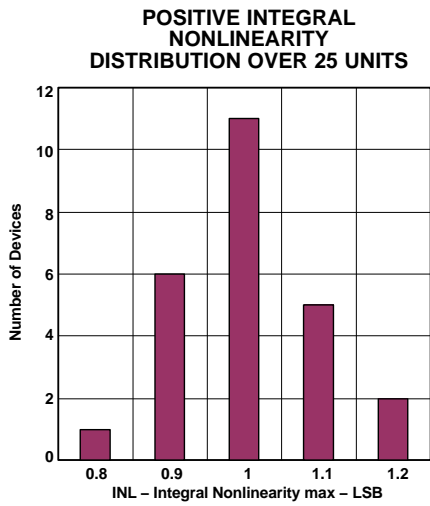


Figure 45.

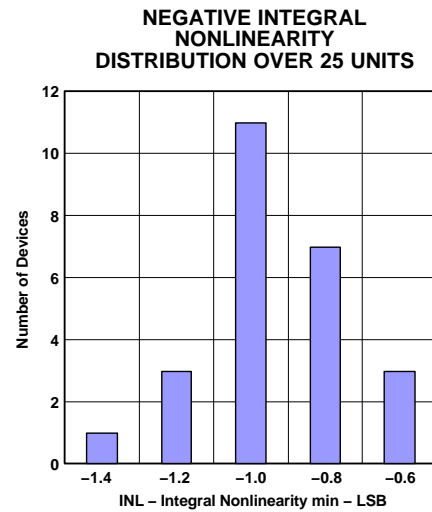


Figure 46.

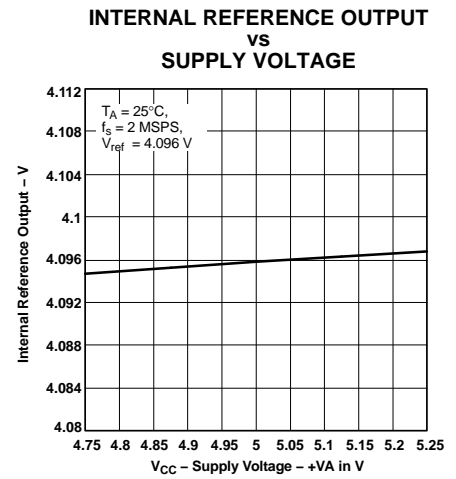


Figure 47.

TYPICAL CHARACTERISTICS (continued)

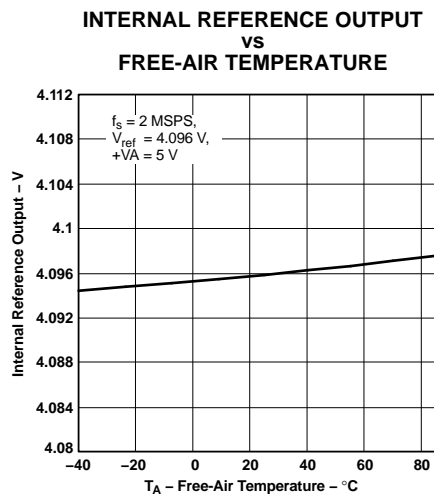


Figure 48.

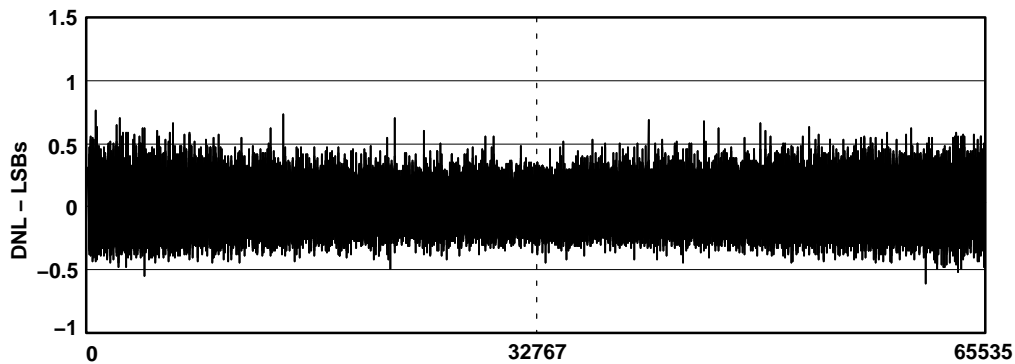


Figure 49. Typical DNL

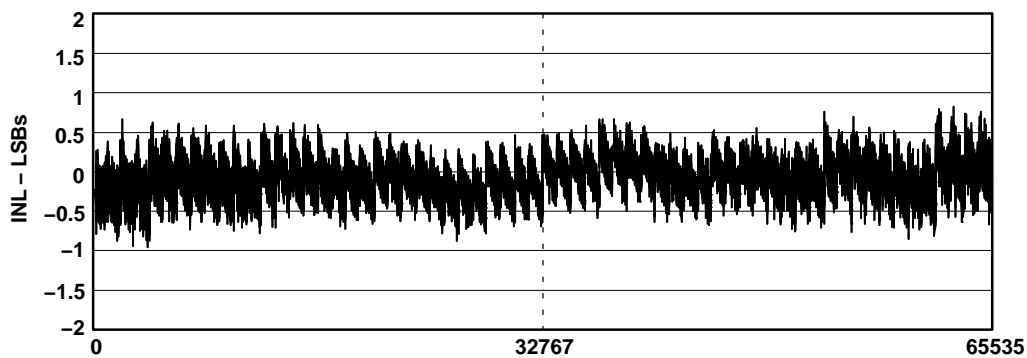


Figure 50. Typical INL

TYPICAL CHARACTERISTICS (continued)

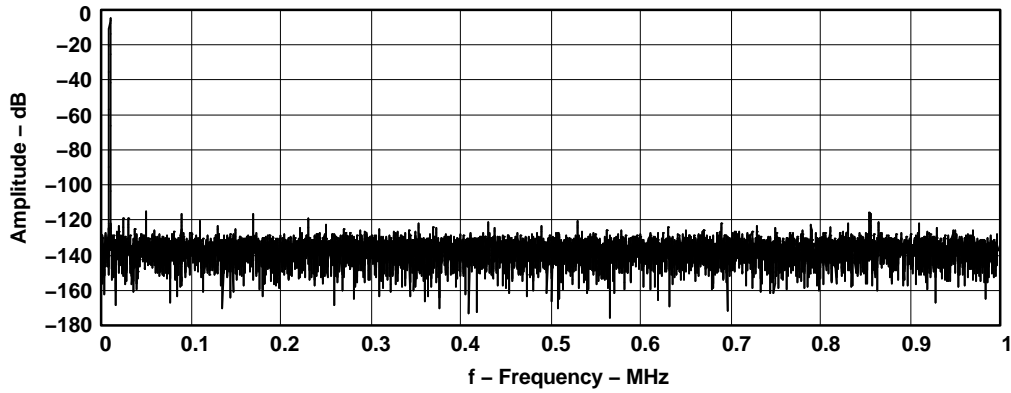


Figure 51. Typical FFT

PARAMETER MEASUREMENT INFORMATION

DRIVER

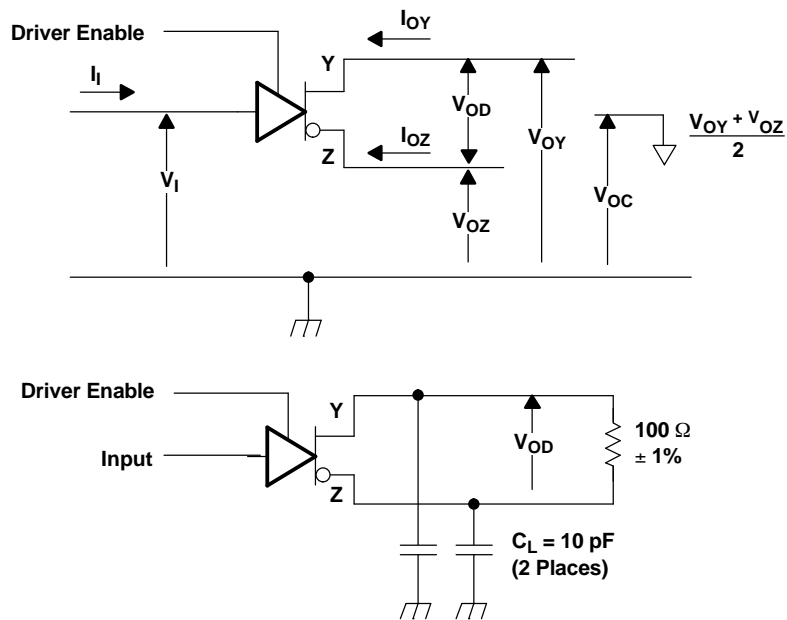


Figure 52. Driver Voltage and Current Definitions

PARAMETER MEASUREMENT INFORMATION (continued)

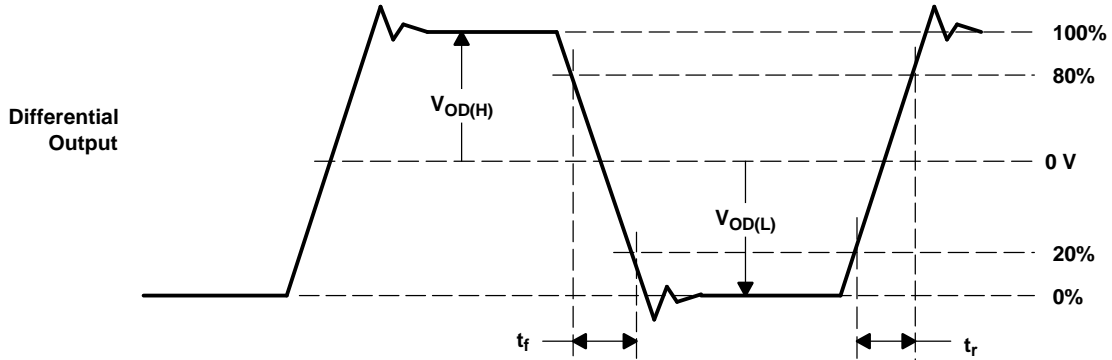


Figure 53. Timing and Voltage Definitions of the Differential Output Signal

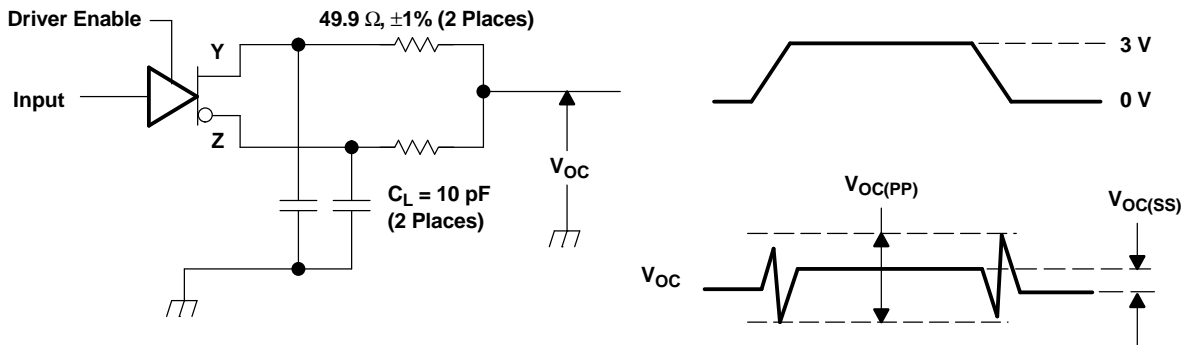


Figure 54. Test Circuit and Definitions for the Driver Common-Mode Output Voltage

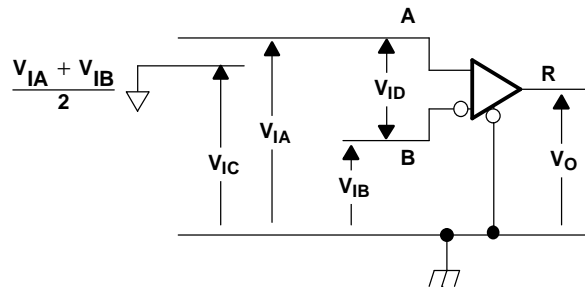


Figure 55. Receiver Voltage Definitions

PACKAGING INFORMATION

| Orderable Device | Status ⁽¹⁾ | Package Type | Package Drawing | Pins | Package Qty | Eco Plan ⁽²⁾ | Lead/Ball Finish | MSL Peak Temp ⁽³⁾ |
|------------------|-----------------------|--------------|-----------------|------|-------------|-------------------------|------------------|------------------------------|
| ADS8413IBRGZR | ACTIVE | QFN | RGZ | 48 | 2500 | Green (RoHS & no Sb/Br) | CU NIPDAU | Level-2-260C-1 YEAR |
| ADS8413IBRGZRG4 | ACTIVE | QFN | RGZ | 48 | 2500 | Green (RoHS & no Sb/Br) | CU NIPDAU | Level-2-260C-1 YEAR |
| ADS8413IBRGZT | ACTIVE | QFN | RGZ | 48 | 250 | Green (RoHS & no Sb/Br) | CU NIPDAU | Level-2-260C-1 YEAR |
| ADS8413IBRGZTG4 | ACTIVE | QFN | RGZ | 48 | 250 | Green (RoHS & no Sb/Br) | CU NIPDAU | Level-2-260C-1 YEAR |
| ADS8413IRGZR | ACTIVE | QFN | RGZ | 48 | 2500 | Green (RoHS & no Sb/Br) | CU NIPDAU | Level-2-260C-1 YEAR |
| ADS8413IRGZRG4 | ACTIVE | QFN | RGZ | 48 | 2500 | Green (RoHS & no Sb/Br) | CU NIPDAU | Level-2-260C-1 YEAR |
| ADS8413IRGZT | ACTIVE | QFN | RGZ | 48 | 250 | Green (RoHS & no Sb/Br) | CU NIPDAU | Level-2-260C-1 YEAR |
| ADS8413IRGZTG4 | ACTIVE | QFN | RGZ | 48 | 250 | Green (RoHS & no Sb/Br) | CU NIPDAU | Level-2-260C-1 YEAR |

⁽¹⁾ The marketing status values are defined as follows:

ACTIVE: Product device recommended for new designs.

LIFEBUY: TI has announced that the device will be discontinued, and a lifetime-buy period is in effect.

NRND: Not recommended for new designs. Device is in production to support existing customers, but TI does not recommend using this part in a new design.

PREVIEW: Device has been announced but is not in production. Samples may or may not be available.

OBSOLETE: TI has discontinued the production of the device.

⁽²⁾ Eco Plan - The planned eco-friendly classification: Pb-Free (RoHS), Pb-Free (RoHS Exempt), or Green (RoHS & no Sb/Br) - please check <http://www.ti.com/productcontent> for the latest availability information and additional product content details.

TBD: The Pb-Free/Green conversion plan has not been defined.

Pb-Free (RoHS): TI's terms "Lead-Free" or "Pb-Free" mean semiconductor products that are compatible with the current RoHS requirements for all 6 substances, including the requirement that lead not exceed 0.1% by weight in homogeneous materials. Where designed to be soldered at high temperatures, TI Pb-Free products are suitable for use in specified lead-free processes.

Pb-Free (RoHS Exempt): This component has a RoHS exemption for either 1) lead-based flip-chip solder bumps used between the die and package, or 2) lead-based die adhesive used between the die and leadframe. The component is otherwise considered Pb-Free (RoHS compatible) as defined above.

Green (RoHS & no Sb/Br): TI defines "Green" to mean Pb-Free (RoHS compatible), and free of Bromine (Br) and Antimony (Sb) based flame retardants (Br or Sb do not exceed 0.1% by weight in homogeneous material)

⁽³⁾ MSL, Peak Temp. -- The Moisture Sensitivity Level rating according to the JEDEC industry standard classifications, and peak solder temperature.

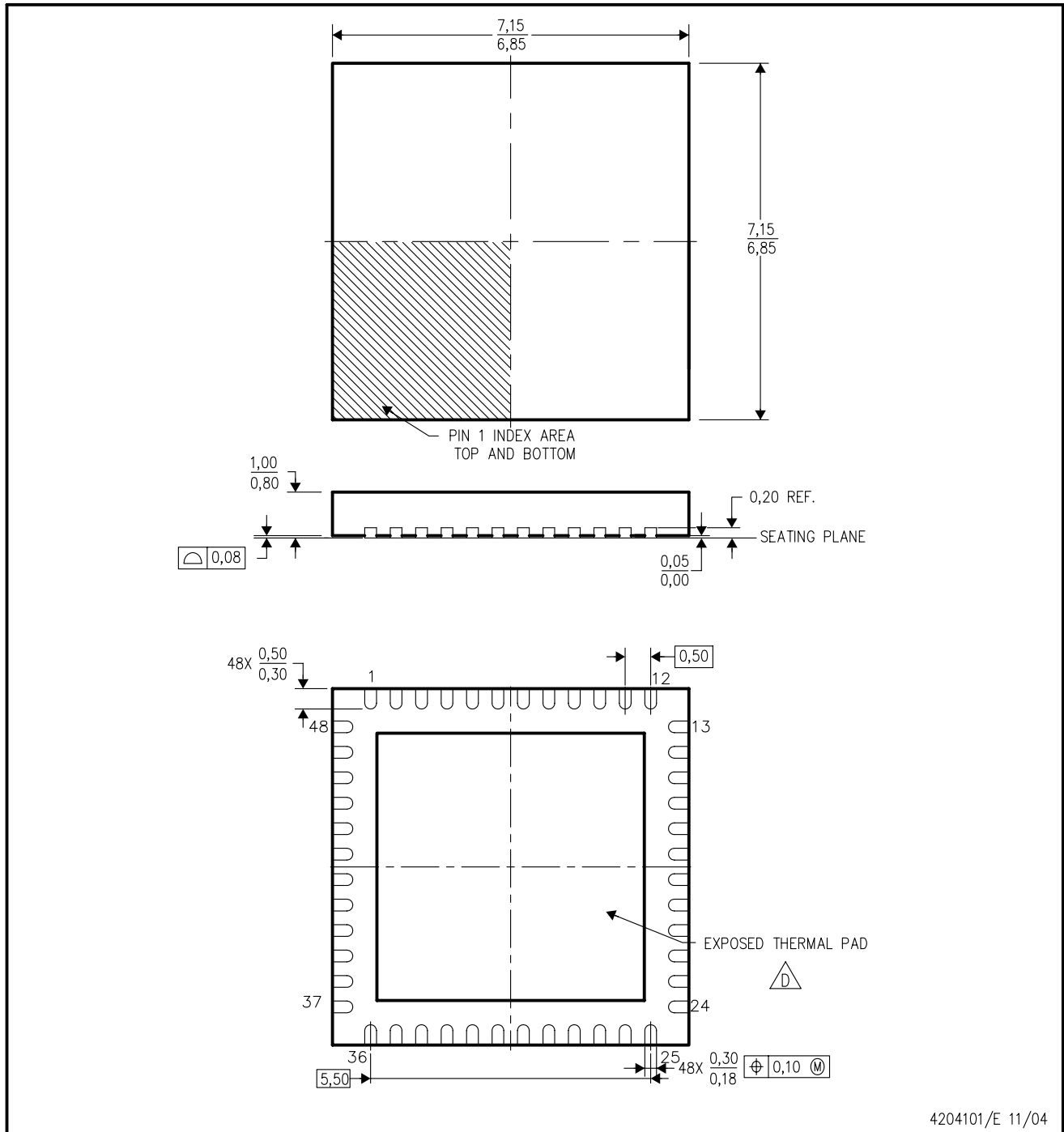
Important Information and Disclaimer:The information provided on this page represents TI's knowledge and belief as of the date that it is provided. TI bases its knowledge and belief on information provided by third parties, and makes no representation or warranty as to the accuracy of such information. Efforts are underway to better integrate information from third parties. TI has taken and continues to take reasonable steps to provide representative and accurate information but may not have conducted destructive testing or chemical analysis on incoming materials and chemicals. TI and TI suppliers consider certain information to be proprietary, and thus CAS numbers and other limited information may not be available for release.

In no event shall TI's liability arising out of such information exceed the total purchase price of the TI part(s) at issue in this document sold by TI to Customer on an annual basis.

MECHANICAL DATA

RGZ (S-PQFP-N48)

PLASTIC QUAD FLATPACK



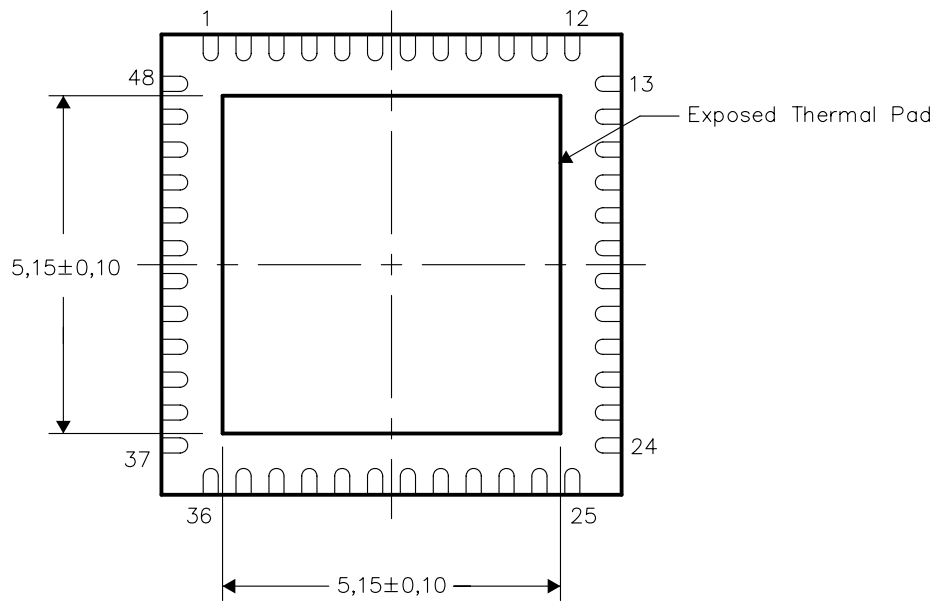
- NOTES:
- A. All linear dimensions are in millimeters. Dimensioning and tolerancing per ASME Y14.5M-1994.
 - B. This drawing is subject to change without notice.
 - C. Quad Flatpack, No-leads (QFN) package configuration.
 - D. The package thermal pad must be soldered to the board for thermal and mechanical performance. See the Product Data Sheet for details regarding the exposed thermal pad dimensions.
 - E. Falls within JEDEC MO-220.

THERMAL INFORMATION

This package incorporates an exposed thermal pad that is designed to be attached directly to an external heatsink. The thermal pad must be soldered directly to the printed circuit board (PCB). After soldering, the PCB can be used as a heatsink. In addition, through the use of thermal vias, the thermal pad can be attached directly to a ground or power plane (whichever is applicable), or alternatively, a special heatsink structure designed into the PCB. This design optimizes the heat transfer from the integrated circuit (IC).

For information on the Quad Flatpack No-Lead (QFN) package and its advantages, refer to Application Report, Quad Flatpack No-Lead Logic Packages, Texas Instruments Literature No. SCBA017. This document is available at www.ti.com.

The exposed thermal pad dimensions for this package are shown in the following illustration.

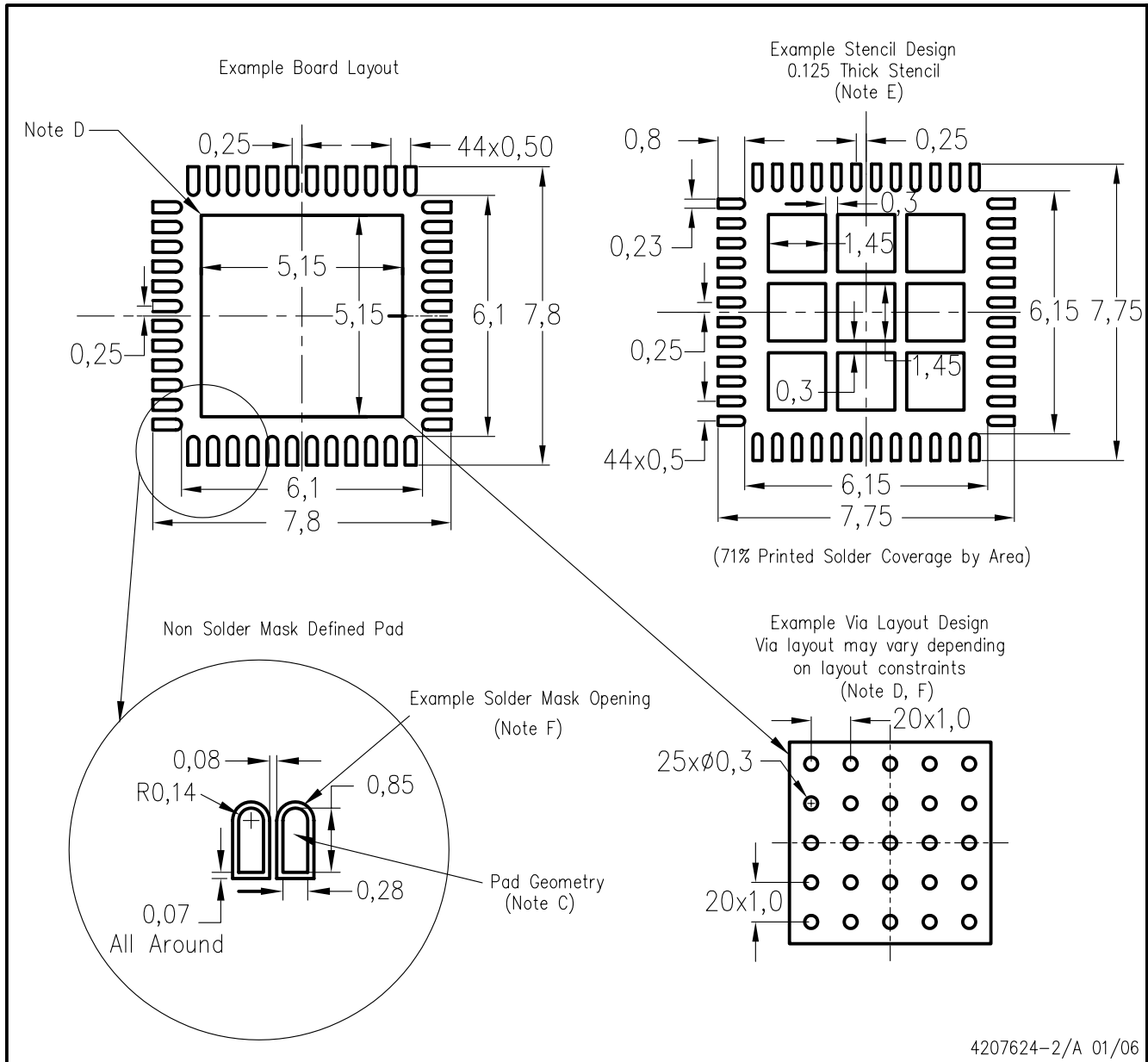


Bottom View

NOTE: All linear dimensions are in millimeters

Exposed Thermal Pad Dimensions

RGZ (S-PQFP-N48)



- NOTES:
- A. All linear dimensions are in millimeters.
 - B. This drawing is subject to change without notice.
 - C. Publication IPC-7351 is recommended for alternate designs.
 - D. This package is designed to be soldered to a thermal pad on the board. Refer to Application Note, Quad Flat-Pack Packages, Texas Instruments Literature No. SCBA017, SLUA271, and also the Product Data Sheets for specific thermal information, via requirements, and recommended board layout. These documents are available at www.ti.com <<http://www.ti.com>>.
 - E. Laser cutting apertures with trapezoidal walls and also rounding corners will offer better paste release. Customers should contact their board assembly site for stencil design recommendations. Refer to IPC 7525 for stencil design considerations.
 - F. Customers should contact their board fabrication site for recommended solder mask tolerances and via tenting recommendations for vias placed in the thermal pad.

IMPORTANT NOTICE

Texas Instruments Incorporated and its subsidiaries (TI) reserve the right to make corrections, modifications, enhancements, improvements, and other changes to its products and services at any time and to discontinue any product or service without notice. Customers should obtain the latest relevant information before placing orders and should verify that such information is current and complete. All products are sold subject to TI's terms and conditions of sale supplied at the time of order acknowledgment.

TI warrants performance of its hardware products to the specifications applicable at the time of sale in accordance with TI's standard warranty. Testing and other quality control techniques are used to the extent TI deems necessary to support this warranty. Except where mandated by government requirements, testing of all parameters of each product is not necessarily performed.

TI assumes no liability for applications assistance or customer product design. Customers are responsible for their products and applications using TI components. To minimize the risks associated with customer products and applications, customers should provide adequate design and operating safeguards.

TI does not warrant or represent that any license, either express or implied, is granted under any TI patent right, copyright, mask work right, or other TI intellectual property right relating to any combination, machine, or process in which TI products or services are used. Information published by TI regarding third-party products or services does not constitute a license from TI to use such products or services or a warranty or endorsement thereof. Use of such information may require a license from a third party under the patents or other intellectual property of the third party, or a license from TI under the patents or other intellectual property of TI.

Reproduction of information in TI data books or data sheets is permissible only if reproduction is without alteration and is accompanied by all associated warranties, conditions, limitations, and notices. Reproduction of this information with alteration is an unfair and deceptive business practice. TI is not responsible or liable for such altered documentation.

Resale of TI products or services with statements different from or beyond the parameters stated by TI for that product or service voids all express and any implied warranties for the associated TI product or service and is an unfair and deceptive business practice. TI is not responsible or liable for any such statements.

Following are URLs where you can obtain information on other Texas Instruments products and application solutions:

| Products | | Applications | |
|--------------------|--|---------------------|--|
| Amplifiers | amplifier.ti.com | Audio | www.ti.com/audio |
| Data Converters | dataconverter.ti.com | Automotive | www.ti.com/automotive |
| DSP | dsp.ti.com | Broadband | www.ti.com/broadband |
| Interface | interface.ti.com | Digital Control | www.ti.com/digitalcontrol |
| Logic | logic.ti.com | Military | www.ti.com/military |
| Power Mgmt | power.ti.com | Optical Networking | www.ti.com/opticalnetwork |
| Microcontrollers | microcontroller.ti.com | Security | www.ti.com/security |
| Low Power Wireless | www.ti.com/lpw | Telephony | www.ti.com/telephony |
| | | Video & Imaging | www.ti.com/video |
| | | Wireless | www.ti.com/wireless |

Mailing Address: Texas Instruments
Post Office Box 655303 Dallas, Texas 75265