



AIC1680

Ultra Low Power Voltage Detector

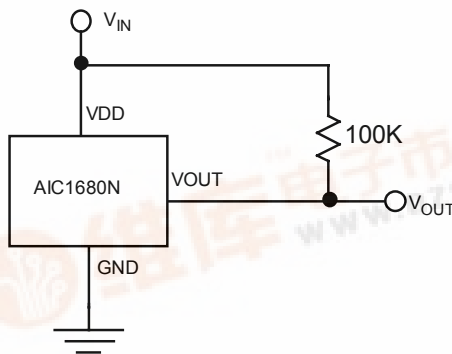
FEATURES

- Ultra-Low Quiescent Current.
- 1.5V to 10.0V Input Voltage Operation.
- Flexible Detection Voltage Setting
0.1V Step in the Range of 1.6V to 6.0V
- High Detection Voltage Accuracy at $\pm 2.5\%$.
- Built-In Detection Voltage Hysteresis.
- Three Output Types: N-ch, P-ch and CMOS.
- Space Saving Packages: TO-92, SOT-89, SOT-23 and SOT23-5.

APPLICATIONS

- Battery Checker for Battery-Operated Systems.
- CPU & Logic Circuit Reset.
- Memory Back-up Circuit.
- Level Discriminator.
- Power Failure Detector.

TYPICAL APPLICATION CIRCUIT



Voltage Level Indicator (N-ch Open-Drain Output)

DESCRIPTION

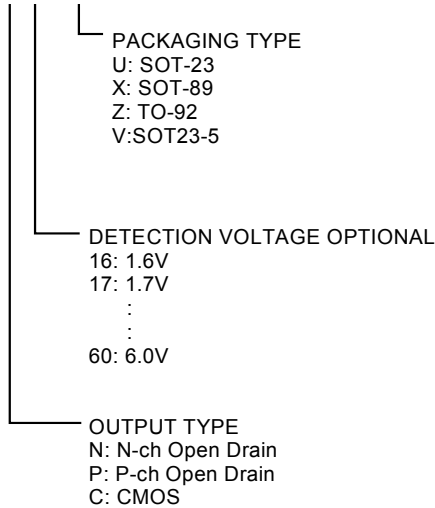
The AIC1680 is an accurate, ultra-low power consumption voltage detector IC, fabricated with advanced CMOS process. The AIC1680 consists of a comparator, a voltage reference unit, a resistor divider, two output drivers, and a hysteresis circuit.

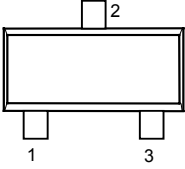
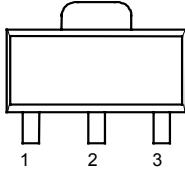
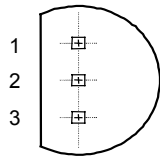
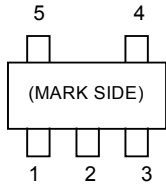
The consumption current is so low that it can often be ignored when compared to the battery self-discharge current. The values of detection and hysteresis voltage are set internally and are accurately controlled by trimming techniques. There are three types of output: N-ch open-drain, P-ch open-drain, and CMOS. Four types of package, TO-92, SOT-89, SOT-23 and SOT-23-5, are available to save board space.



ORDERING INFORMATION

AIC1680XXXCX



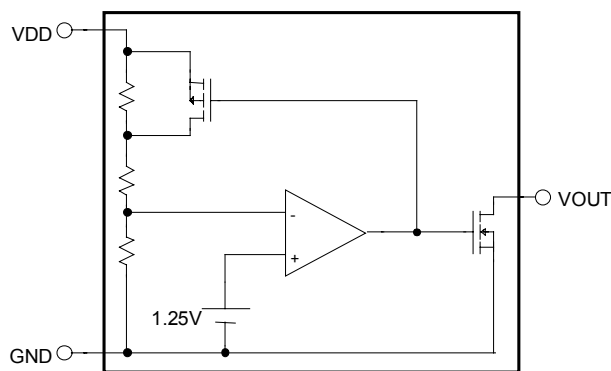
ORDER NUMBER	PIN CONFIGURATION
AIC1680CU (SOT-23)	FRONT VIEW 1: VOUT 2: VDD 3: GND 
AIC1680CX (SOT-89)	FRONT VIEW 1: VOUT 2: VDD 3: GND 
AIC1680CZ (TO-92)	FRONT VIEW 1: VOUT 2: VDD 3: GND 
AIC1680CV (SOT-23-5)	FRONT VIEW 1: VOUT 2: VDD 3: GND 4: NC 5: NC 

ABSOLUTE MAXIMUM RATINGS

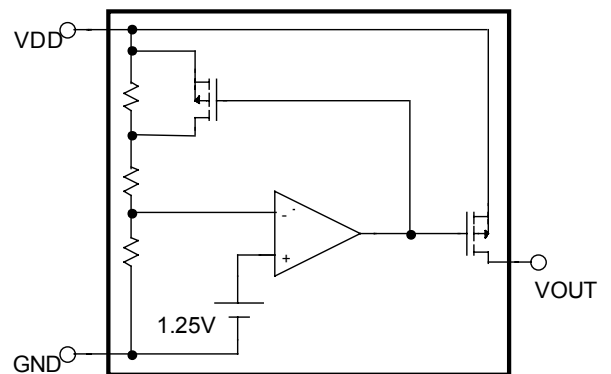
Supply Voltage	10V
Output Voltage	V _{ss} -0.3 to 10V
Operating Temperature Range	-30°C ~ 80°C
Storage Temperature Range	- 65°C ~ 150°C
Lead Temperature (Soldering) 10 sec.	260°C
Output Current	20mA

ELECTRICAL CHARACTERISTICS (Test Conditions : Ta=25°C)

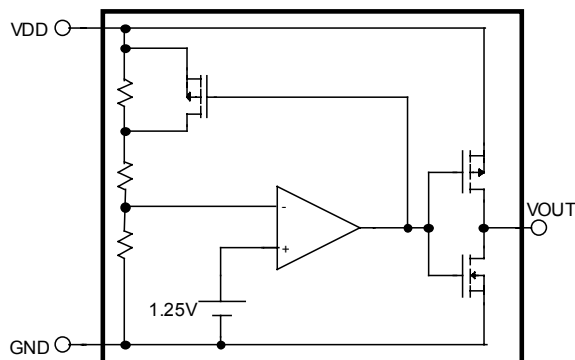
SYMBOL	PARAMETER	TEST CONDITIONS	MIN	TYP	MAX	UNIT
V _{DET}	Detector Voltage		0.975	1.0	1.025	V _{DET}
V _{HYS}	Detector Threshold Hysteresis		0.03	0.05	0.07	V _{DET}
I _{DD}	Supply Current	V _{DD} =2.0V V _{DD} =3.0V V _{DD} =4.5V V _{DD} =6.0V V _{DD} =10.0V		0.7 0.9 1.3 1.8 3.2	1.1 1.5 2.0 2.7 4.8	μA
V _{DD}	Operation Voltage		1.5		10	V
I _{OUT} (Nch)	Output Current	V _{DS} =0.5V V _{DD} =2.4V V _{DS} =0.5V V _{DD} =3.6V V _{DS} =0.5V V _{DD} =4.6V V _{DS} =0.5V V _{DD} =6.0V		3.24 5.85 7.74 10.44		mA
I _{OUT} (Pch)	Output Current	V _{DS} =-2.1V V _{DD} =4.5V		3.5		mA
	Temperature Coefiencie			±150		ppm/°C
T _{DELAY}	Output Delay Time				200	μS

BLOCK DIAGRAM


N-ch open drain output



P-ch open drain output



CMOS output

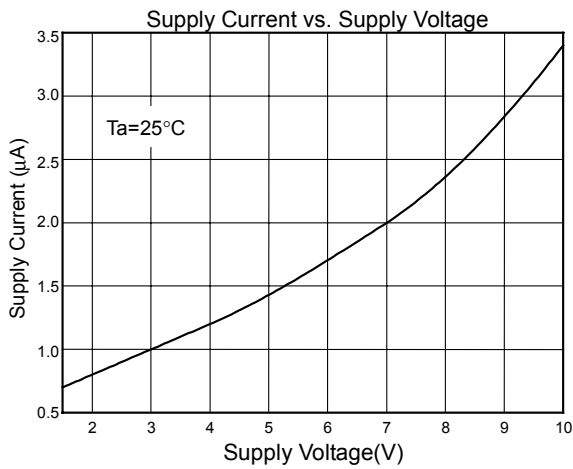
PIN DESCRIPTIONS

V_{DD}: Power Supply and Detected Voltage Input.

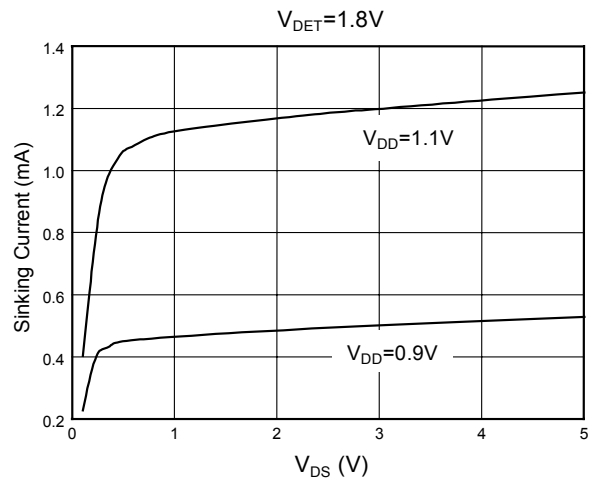
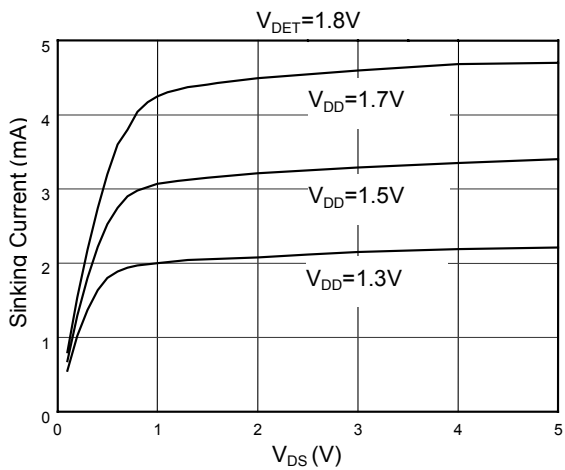
GND: Ground.

V_{out}: Detector Output

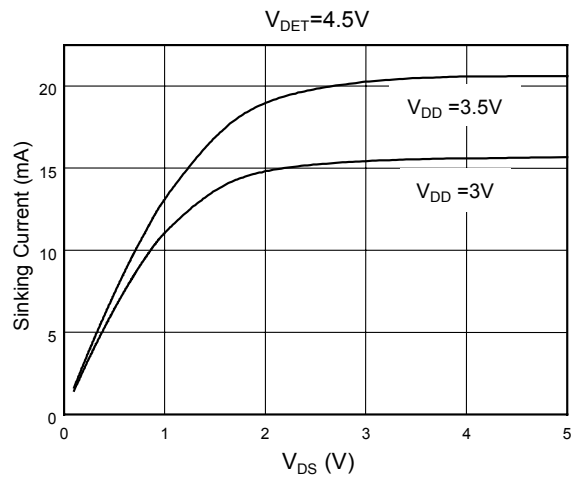
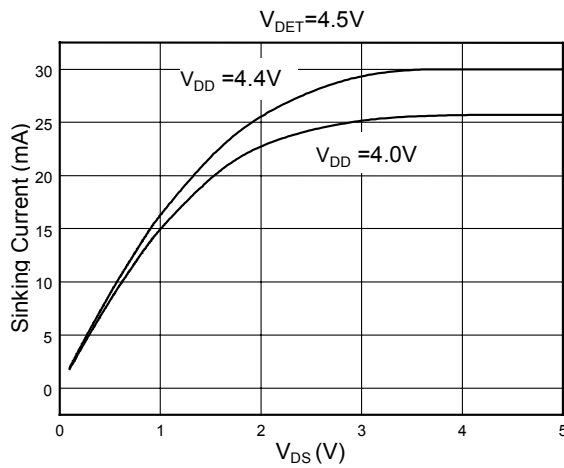
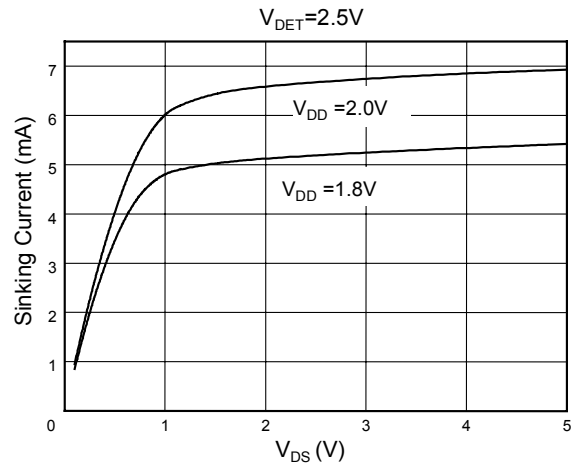
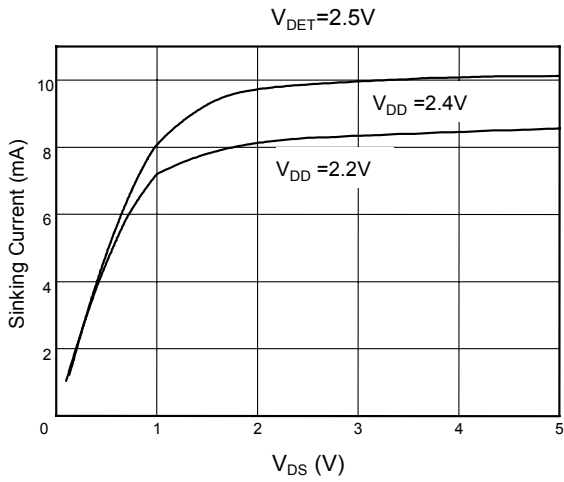
TYPICAL PERFORMANCE CHARACTERISTICS



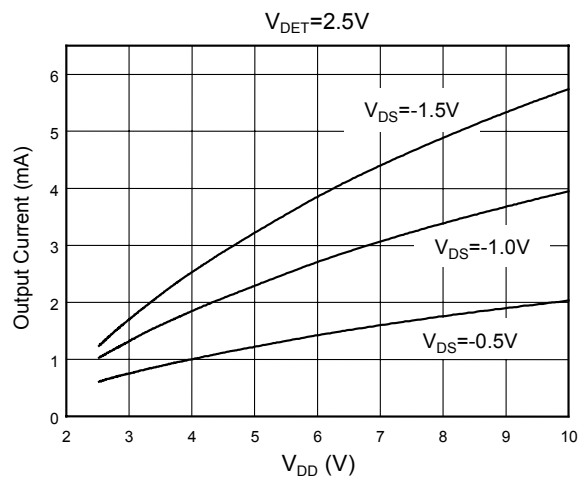
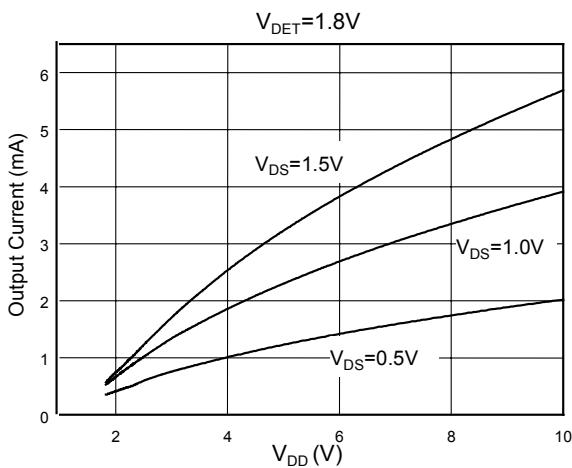
N-ch Driver Sinking Current vs. V_{DS}



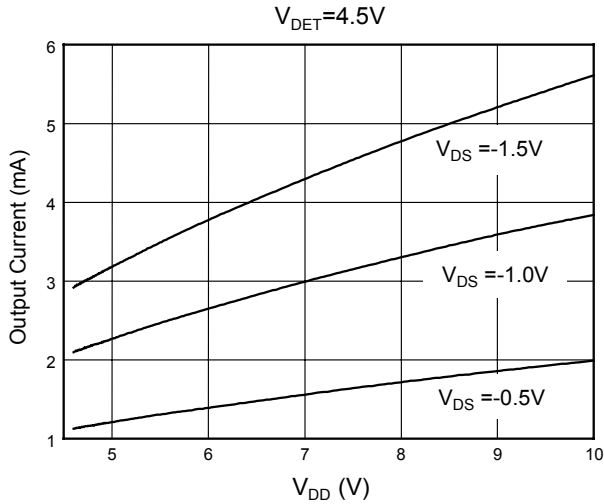
TYPICAL PERFORMANCE CHARACTERISTICS (Continued)



P-ch Driver Output Current vs. V_{DS}



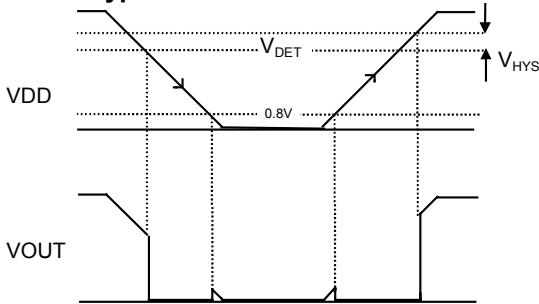
TYPICAL PERFORMANCE CHARACTERISTICS (Continued)



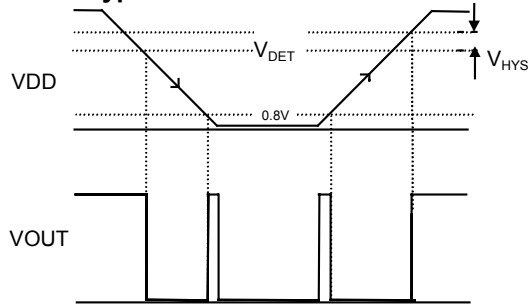
APPLICATION INFORMATIONS

The timing diagram of VDD and V_{OUT} is shown in below:

CMOS Type



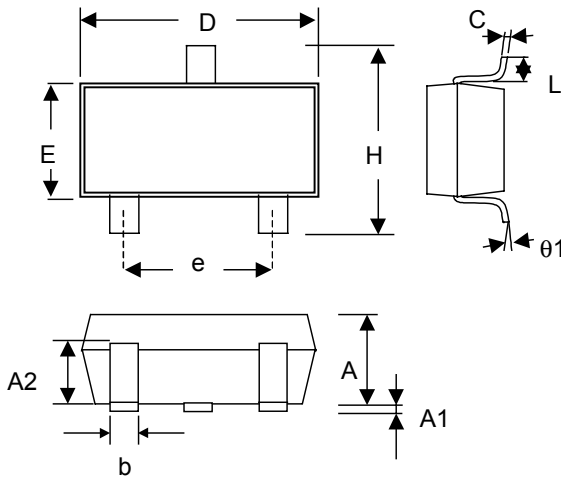
NMOS Type



The guaranteed minimum operation voltage is 1.5V. As the supply voltage(VDD) is reduced below 1.5V, the performance degrades, N-ch or P-ch driving capacity degrades, and the supply current decreases. AIC1680 isn't functioning when VDD down to 0.8V.

■ PHYSICAL DIMENSIONS

- SOT-23 (unit: mm)



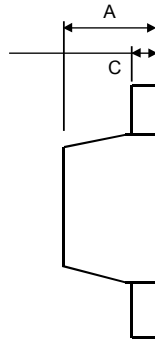
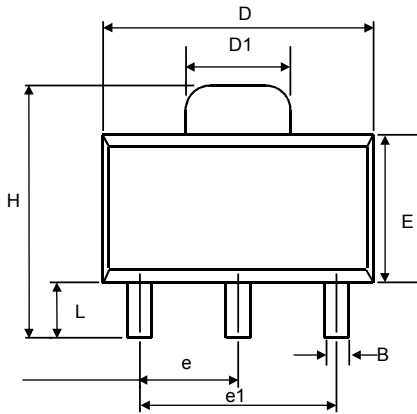
SYMBOL	MIN	MAX
A	1.00	1.30
A1	—	0.10
A2	0.70	0.90
b	0.35	0.50
C	0.10	0.25
D	2.70	3.10
E	1.40	1.80
e	1.90 (TYP)	
H	2.60	3.00
L	0.37	—
$\theta 1$	1°	9°

- SOT-23 Marking

Part No.	Marking
AIC1680-N16CU	U16N
AIC1680-P16CU	U16P
AIC1680-C16CU	U16C
AIC1680-N17CU	U17N
AIC1680-P17CU	U17P
AIC1680-C17CU	U17C
..... (0.1V INCREMENT)	

Part No.	Marking
AIC1680-N59CU	U59N
AIC1680-P59CU	U59P
AIC1680-C59CU	U59C
AIC1680-N60CU	U60N
AIC1680-P60CU	U60P
AIC1680-C60CU	U60C

● **SOT-89 (unit: mm)**



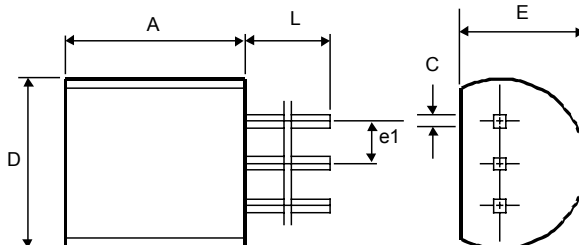
SYMBOL	MIN	MAX
A	1.40	1.60
B	0.36	0.48
C	0.35	0.44
D	4.40	4.60
D1	1.62	1.83
E	2.29	2.60
e	1.50 (TYP.)	
e1	3.00 (TYP.)	
H	3.94	4.25
L	0.89	1.20

● **SOT-89 Marking**

Part No.	Marking
AIC1680-N16CX	X16N
AIC1680-P16CX	X16P
AIC1680-C16CX	X16C
AIC1680-N17CX	X17N
AIC1680-P17CX	X17P
AIC1680-C17CX	X17C
..... (0.1V INCREMENT)	

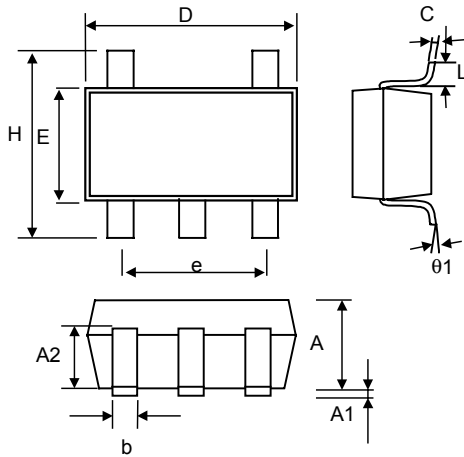
Part No.	Marking
AIC1680-N59CX	X59N
AIC1680-P59CX	X59P
AIC1680-C59CX	X59C
AIC1680-N60CX	X60N
AIC1680-P60CX	X60P
AIC1680-C60CX	X60C

● **TO-92 (unit: mm)**



SYMBOL	MIN	MAX
A	4.32	5.33
C	0.38 (TYP.)	
D	4.40	5.20
E	3.17	4.20
e1	1.27 (TYP.)	
L	12.7	-

● **SOT-23-5 (unit: mm)**



SYMBOL	MIN	MAX
A	1.00	1.30
A1	—	0.10
A2	0.70	0.90
b	0.35	0.50
C	0.10	0.25
D	2.70	3.10
E	1.40	1.80
e	1.90 (TYP)	
H	2.60	3.00
L	0.37	—
$\theta 1$	1°	9°

● **SOT-23-5 Marking**

Part No.	Marking
AIC1680-N16CV	V16N
AIC1680-P16CV	V16P
AIC1680-C16CV	V16C
AIC1680-N17CV	V17N
AIC1680-P17CV	V17P
AIC1680-C17CV	V17C
..... (0.1V INCREMENT)	

Part No.	Marking
AIC1680-N59CV	V59N
AIC1680-P59CV	V59P
AIC1680-C59CV	V59C
AIC1680-N60CV	V60N
AIC1680-P60CV	V60P
AIC1680-C60CV	V60C