

查询MTJ-64GX1供应商

捷多邦, 专业PCB打样工厂, 24小时加急出货

ADAM TECH

MODULAR TELEPHONE JACKS

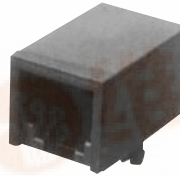
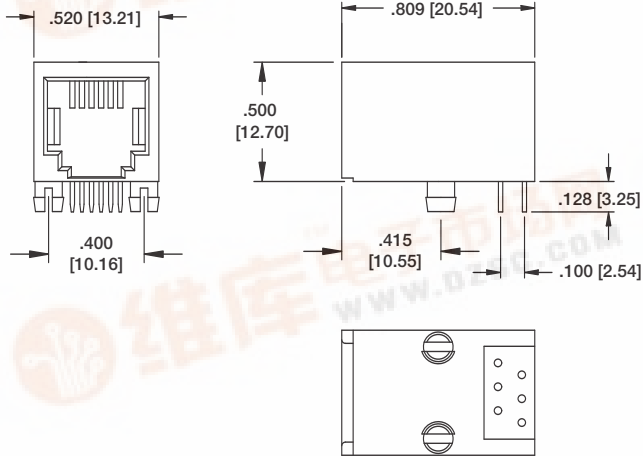
Adam Technologies, Inc.

.500" HEIGHT, SIDE ENTRY - TYPE G

MTJ SERIES

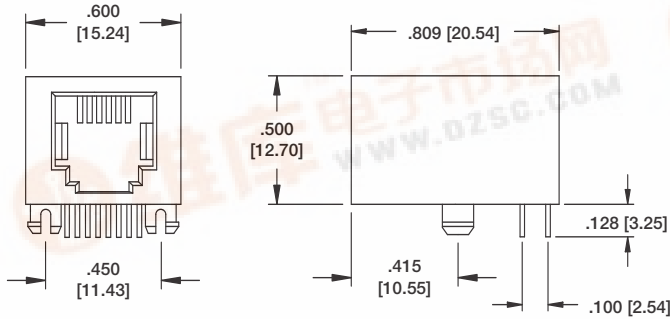
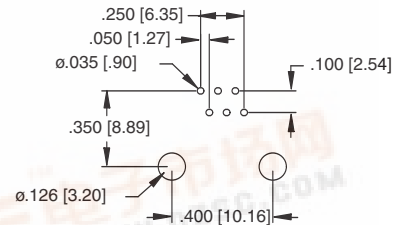
Ordering Information pg. 9

**TYPE G
6P6C**



MTJ-64GX1

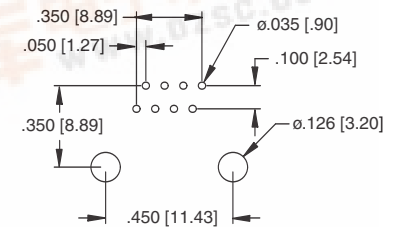
Recommended PCB Layout



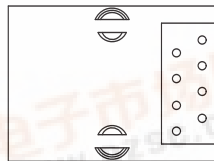
MTJ-88GX1

**TYPE G
8P8C**

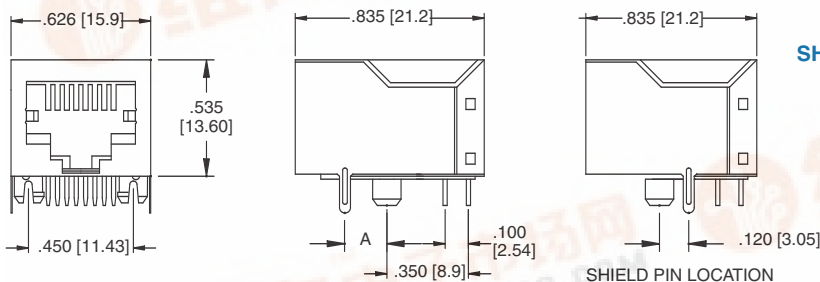
Recommended PCB Layout



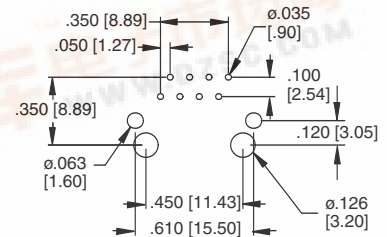
Panel Stops
 Available with optional panel stops
 Add -PS to end of part No.



**TYPE G
SHIELDED
8P8C**

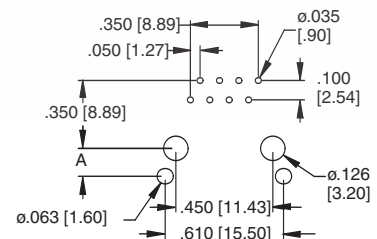


Recommended PCB Layout (FSD)



SHIELD PIN LOCATION OPTIONS
 FSA OPTION: A = .170 [4.32]
 FSB OPTION: A = .144 [3.66]
 FSE OPTION: A = .120 [3.05]

PCB Layout (FSA, FSB, & FSE)



MTJ-88GX1-FSB-PG
Shown with Full Metal Shield & Panel Ground Tab options



MTJ-88GX1-FSD
Shown with Full Metal Shield option

