



**MEAN WELL**  
**SWITCHING POWER SUPPLY**  
 ISO-9001 CERTIFIED MANUFACTURER

**MWP-602(A)**  
**(53020)**  
**MWP-606(A)**

- .LOW COST, HIGH RELIABILITY
- .105°C OUTPUT CAPACITOR
- .INTERNATIONAL AC INPUT RANGE
- .BUILT IN EMI FILTER, LOW RIPPLE NOISE
- .HIGH EFFICIENCY, LOW WORKING TEMPERATURE
- .SOFT-START CIRCUIT, LIMITING AC SURGE CURRENT
- .SHORT CIRCUIT, OVERLOAD PROTECTED
- .COMPACT SIZE, LIGHT WEIGHT
- .100% FULL LOAD BURN-IN TEST
- .OUTPUT VOLTAGE CORRECTION LED



SPECIFICATION	MWP-602/MWP-602A(53020)			MWP-606/MWP-606A		
	CH1	CH2	CH3	CH1	CH2	CH3
DC OUTPUT VOLTAGE	5V	12V	-5V	5V	12V	-5V
OUTPUT V. TOLERANCE	±2%	±8%	±10%	±2%	±8%	±10%
OUTPUT RATED CURRENT	15A	2A	1A	15A	2A	1A
OUTPUT CURRENT RANGE	3-15A	0.2-3A	0.1-1A	3-15A	0.2-4A	0.1-1A
RIPPLE & NOISE	50mVp-p	120mVp-p	60mVp-p	50mVp-p	120mVp-p	60mVp-p
LINE REGULATION	±0.5%	±1%	±1%	±0.5%	±1%	±1%
LOAD REGULATION	±1%	±6%	±8%	±1%	±6%	±8%
DC OUTPUT POWER	104W			104W		
EFFICIENCY	75%			75%		
DC VOLTAGE ADJ.	CH1:4.7-5.8Vref.			CH1:4.75-5.5Vref.		
INPUT VOLTAGE RANGE	88~132VAC / 176~264VAC SELECTED BY SWITCH 47~63Hz; 240~370VDC					
AC CURRENT	2.6A/115V 1.3A/230V					
INRUSH CURRENT	COLD START 20A/115V 40A/230V					
LEAKAGE CURRENT	<0.5mA/240VAC					
OVERLOAD PROTECTION	105%~150% TYPE:FOLDBACK CURRENT SHUTDOWN RESET:RE-POWER ON					
OVER VOLTAGE PROTECTION	-----					
OPERATING DISPLAY	602A, 606A DOUBLE COLOR LED CORRECT RANGE:GREEN(5-5.4Vref.) WRONG RANGE:RED					
TEMP. COEFFICIENT	±0.05% / °C (0~50°C) ON +5V OUTPUT					
SETUP, RISE, HOLD UP TIME	200ms, 50ms, 16ms					
VIBRATION	10~500Hz, 2G 10min./1cycle, PERIOD FOR 60min. EACH AXES					
WITHSTAND VOLTAGE	I/P-O/P:1.5KVAC I/P-FG:1.5KVAC O/P-FG:0.5KVAC					
ISOLATION RESISTANCE	I/P-O/P, I/P-FG, O/P-FG:500VDC / 100M Ohms					
WORKING TEMP., HUMIDITY	-10°C~+60°C(REFER TO OUTPUT DERATING CURVE), 20%~90% RH					
STORAGE TEMP., HUMIDITY	-20°C~+85°C, 10%~95% RH					
DIMENSION	180*110*50mm CASE:602 203*115*50mm WITH TERMINAL & FIXED IRON					
WEIGHT	0.9Kgs					
SAFETY STANDARDS	MEET UL1012 REQUIREMENT (NOT APPLY FOR THE MARK)			UL1950, TUV EN60950 APPROVED		
EMC STANDARDS	-----			CISPR22 (EN55022) CLASS B, IEC801-2,3,4, IEC555-2 VERIFICATION		

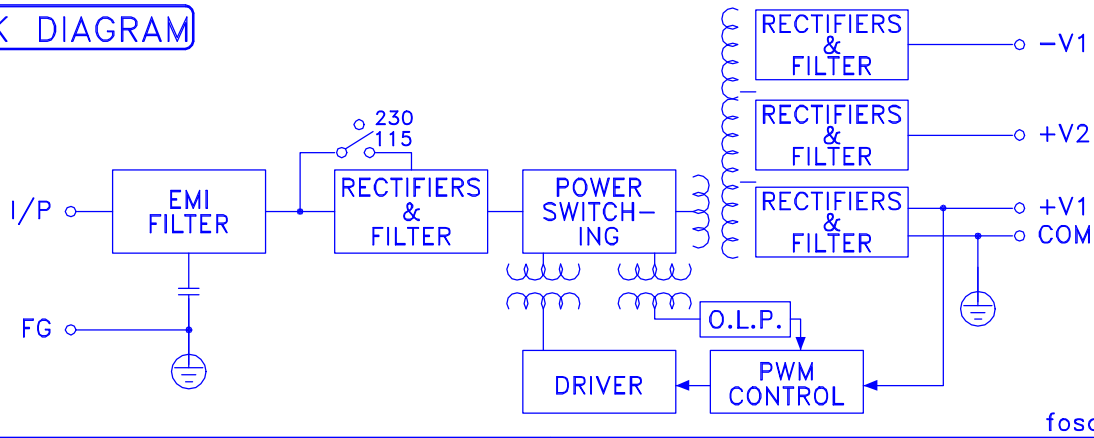
NOTE : 1. ALL PARAMETERS ARE SPECIFIED AT 230VAC INPUT, RATED LOAD, 25°C 70% RH. AMBIENT.  
 2. TOLERANCE INCLUDE SET UP TOLERANCE, LINE REGULATION, LOAD REGULATION.  
 3. RIPPLE & NOISE ARE MEASURED AT 20MHZ BY USING A 12" TWISTED PAIR TERMINATED WITH A 0.1uF & 47uF CAPACITOR.  
 4. LINE REGULATION IS MEASURED FROM LOW LINE TO HIGH LINE AT RATED LOAD.  
 5. LOAD REGULATION IS MEASURED FROM 20% TO 100% RATED LOAD, AND OTHER OUTPUT AT 60% RATED LOAD.  
 6. EACH OUTPUT PROVIDE UP TO MAXIMUM CURRENT, BUT TOTAL LOAD CAN NOT EXCEED MAX. OUTPUT POWER.

JUN.09.98



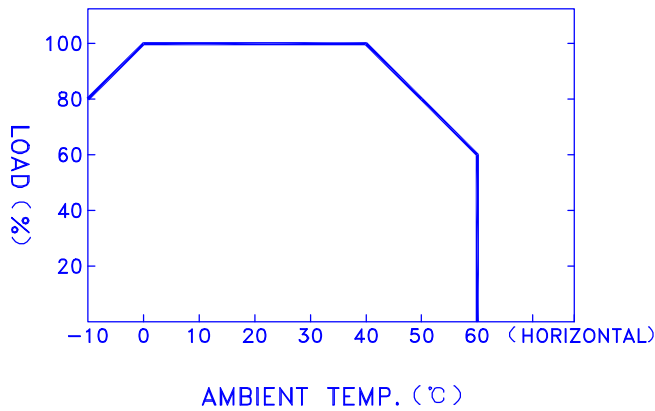
# MWP-602 (A) / 53020 / MWP-606 (A)

## BLOCK DIAGRAM

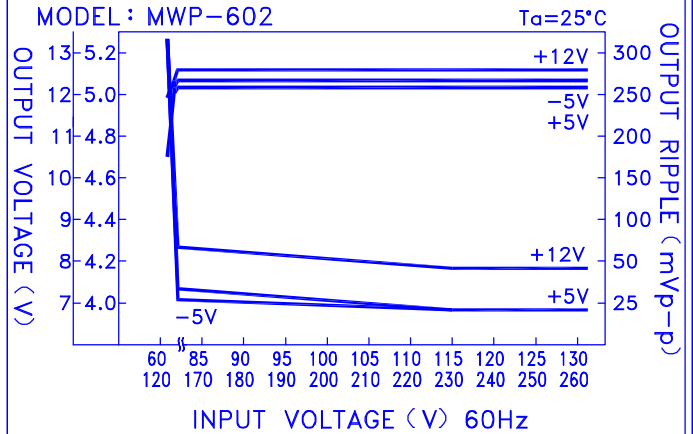


fosc : 25KHz

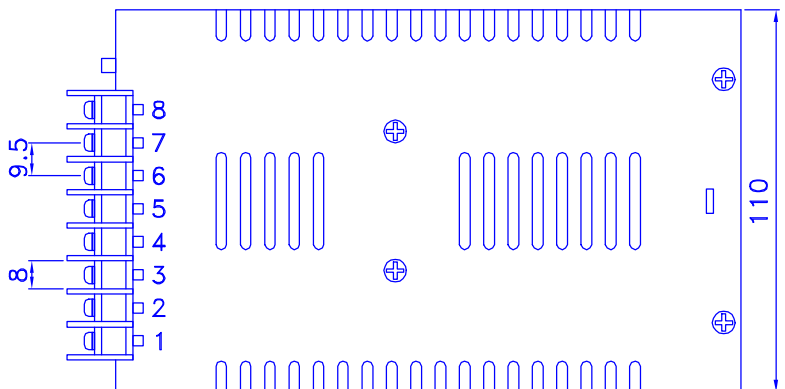
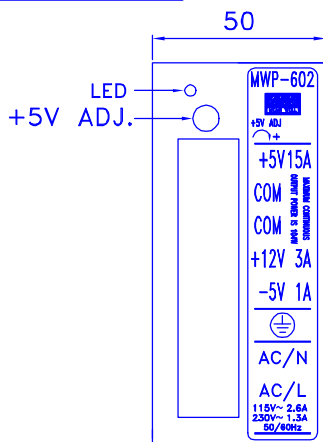
## OUTPUT DERATING



## STATIC CHARACTERISTICS



## DIMENSION (mm)



☒ CASE : 602

☒ TERMINAL PIN NO. ASSIGNMENT

- ☒ PIN 1,2 : AC INPUT
- ☒ PIN 3 : FG  $\oplus$
- ☒ PIN 4 : DC OUTPUT -5V
- ☒ PIN 5 : DC OUTPUT +12V
- ☒ PIN 6,7 : DC OUTPUT COM
- ☒ PIN 8 : DC OUTPUT +5V

4- $\phi$ 2.6 L=5mm

