

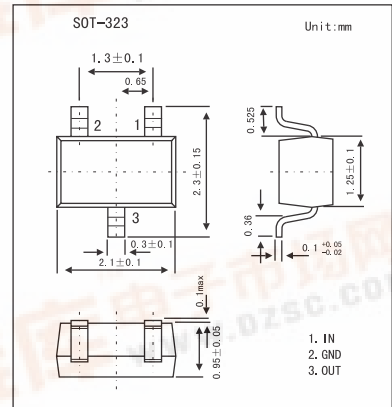
SMD Type Diodes

Schottky barrier diode

1PS70SB20

■ Features

- Ultra high switching speed
- Low forward voltage
- Guard ring protected
- Small SMD plastic package.



■ Absolute Maximum Ratings Ta = 25°C

Parameter	Symbol	Conditions	Min	Max	Unit
Continuous reverse voltage	VR			40	V
Continuous forward current	IF			500	mA
Non-repetitive peak forward current	IFSM	t = 8.3 ms half sine wave; JEDEC method		2	A
Storage temperature	Tstg		-65	+150	°C
Junction temperature	Tj			125	°C
thermal resistance from junction to ambient	Rth j-a			500	K/W

■ Electrical Characteristics Ta = 25°C

Parameter	Symbol	Conditions	Min	Max	Unit
Forward voltage	VF	IF = 500 mA		550	mV
Reverse current	IR	VR = 35 V		100	μ A
		VR = 35 V; Tj = 100 °C; Note 1		10	mA
Diode capacitance	Cd	f = 1 MHz; VR = 0;	60	90	pF

Note

1. Pulse test: tp < 300 μ s; δ ≤ 0.02.
2. Refer to SOT323(SC-70) Standard mounting conditions.

■ Marking

Marking	72
---------	----