

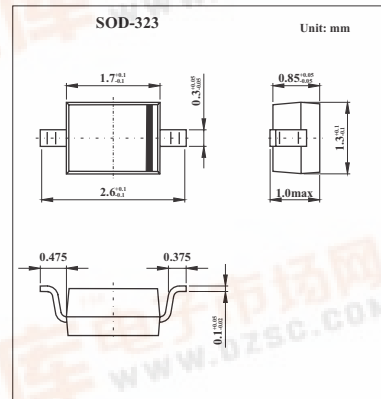
SMD Type Diodes

Schottky barrier Diodes

1PS76SB62

■ Features

- Ultra high swiching speed
- Very low capacitance
- High breakdown voltage
- Guard ring protected
- Two pin very small plastic SMD package.



■ Absolute Maximum Ratings Ta = 25 °C

PARAMATER	SYMBOL	MIN	MAX	UNIT
continuous reverse voltage	VR		4	V
continuous forward current	IF		20	mA
storage temperature	Tstg	-65	+150	°C
junction temperature	Tj		125	°C
operating ambient temperature	Tamb	-65	+125	°C

■ Electrical Characteristics Ta = 25 °C

PARAMATER	SYMBOL	CONDITIONS	MAX	UNIT
forward voltage	VF	IF = 2 mA; Note 1	800	mV
reverse current	IR	VR = 40 V; note 1	1	μ A
diode capacitance	Cd	VR = 0 V; f = 1 MHz	0.6	pF
thermal resistance from junction to ambient	Rthj-a		450	K/W

Note:

1. Pulse test: pulse width = 300 μ s; δ = 0.02.

■ Marking

Marking	S6
---------	----