

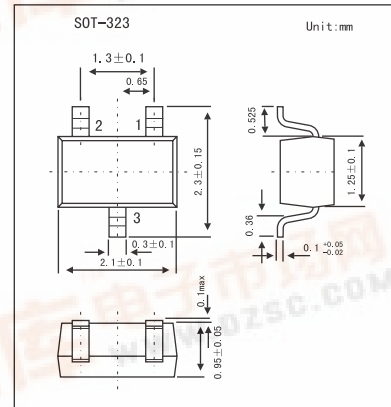
SMD Type Diodes

## VHF,UHF Detector and Mixer Applications

### 1SS375

■ Features

- Series connection of 2 elements in a very small-sized package facilitates high-density mounting and permits 1SS375-applied equipment to be made smaller.
- Small interterminal capacitance.
- Low forward voltage.
- High breakdown voltage.



■ Absolute Maximum Ratings Ta = 25°C

Parameter	Symbol	Value	Unit
Reverse Voltage	V <sub>R</sub>	10	V
Forward Current	I <sub>F</sub>	35	mA
Junction Temperature	T <sub>j</sub>	125	°C
Storage temperature	T <sub>stg</sub>	-55 to +125	°C

■ Electrical Characteristics Ta = 25°C

Parameter	Symbol	Conditions	Min	Typ	Max	Unit
Forward Voltage	V <sub>F(1)</sub>	I <sub>F</sub> = 1 mA	350		420	mV
	V <sub>F(2)</sub>	I <sub>F</sub> = 10 mA	480		580	
Forward Current	I <sub>F</sub>	V <sub>F</sub> = 1 V	35			mA
Reverse Current	I <sub>R(1)</sub>	V <sub>R</sub> = 2 V			0.2	μ A
	I <sub>R(2)</sub>	V <sub>R</sub> = 10 V			10	
Interterminal Capacitance	C	V <sub>R</sub> = 0 V, f = 1 MHz			0.85	pF
Forward Voltage Difference	ΔV <sub>F</sub>	I <sub>F</sub> = 10 mA			10	mV
Interterminal Capacitance Difference	ΔC	V <sub>R</sub> = 0 V, f = 1 MHz			0.1	pF

■ Marking

Marking	FH
---------	----