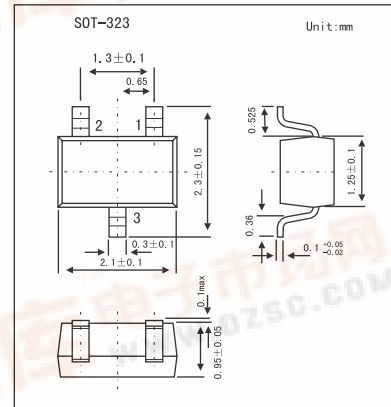


SMD Type Diodes

VHF~UHF Band RF Attenuator Applications  
1SV252

■ Features



■ Absolute Maximum Ratings Ta = 25°C

Parameter	Symbol	Rating	Unit
Reverse voltage	V <sub>R</sub>	50	V
Forward current	I <sub>F</sub>	50	mA
Junction Temperature	T <sub>j</sub>	125	°C
Storage temperature	T <sub>stg</sub>	-55 to +125	°C

■ Electrical Characteristics Ta = 25°C

Parameter	Symbol	Conditions	Min	Typ	Max	Unit
Reverse Voltage	V <sub>R</sub>	I <sub>R</sub> = 10 μA	50			V
Reverse Current	I <sub>R</sub>	V <sub>R</sub> = 50 V			0.1	μA
Forward voltage	V <sub>F</sub>	I <sub>F</sub> = 50 mA		0.93	0.98	V
Total capacitance (Note 1)	C <sub>T</sub>	V <sub>R</sub> = 50 V, f = 1 MHz		0.2	0.4	pF
Series resistance	r <sub>s</sub>	I <sub>F</sub> = 10 mA, f = 100 MHz		3.5	10	Ω

Note

1. C<sub>T</sub> is measured by 3 terminal method with capacitance bridge.

■ Marking

Marking	BE
---------	----