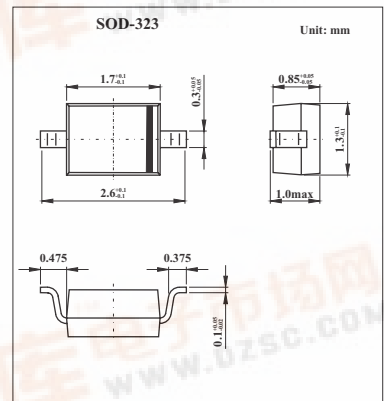


SMD Type Diodes

Silicon Epitaxial Planar Pin Diode  
HVU132

Features

- Low capacitance. (C=1.0pF max)
- Low forward resistance. (rf=0.7 Ω max)



Absolute Maximum Ratings Ta = 25°C

Parameter	Symbol	Value	Unit
Peak reverse voltage	V <sub>RM</sub>	65	V
Reverse voltage	V <sub>R</sub>	60	V
Forward current	I <sub>F</sub>	100	mA
Power dissipation	P <sub>d</sub>	150	mW
Junction temperature	T <sub>j</sub>	125	°C
Storage temperature	T <sub>stg</sub>	-55 to +125	°C

Electrical Characteristics Ta = 25°C

Parameter	Symbol	Conditions	Min	Typ	Max	Unit
Reverse current	I <sub>R</sub>	V <sub>R</sub> = 60 V			0.1	nA
Forward voltage	V <sub>F</sub>	I <sub>F</sub> = 10 mA			1.0	V
Capacitance	C	V <sub>R</sub> = 1 V, f = 1 MHz			0.5	pF
Forward resistance	r <sub>f</sub>	I <sub>F</sub> = 10 mA, f = 100 MHz			2.0	Ω

Marking

Marking	P2
---------	----