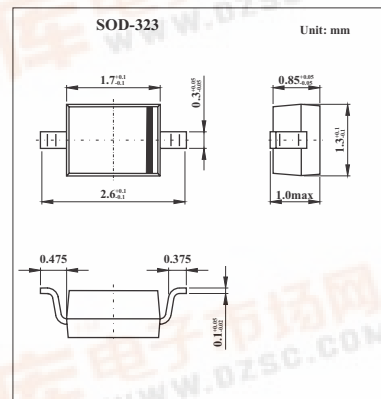


SMD Type Diodes

Silicon Epitaxial Planar Diode
KDV287

■ Features

- High Capacitance Ratio : $C_{2V}/C_{25V}=7.6(\text{Typ.})$
- Low Series Resistance : $r_s=1.9 \Omega (\text{Typ.})$
- Excellent C-V Characteristics, and Small Tracking Error.
- Useful for Small Size Tuner.



■ Absolute Maximum Ratings $T_a = 25^\circ\text{C}$

Parameter	Symbol	Value	Unit
Reverse Voltage	V_R	30	V
Peak Reverse Voltage	V_{RM}	35 ($R_L=10K \Omega$)	V
Junction Temperature	T_j	125	$^\circ\text{C}$
Storage Temperature Range	T_{stg}	-55 to +125	$^\circ\text{C}$

■ Electrical Characteristics $T_a = 25^\circ\text{C}$

Parameter	Symbol	Conditions	Min	Typ	Max	Unit
Reverse Voltage	V_R	$I_R = 1 \mu\text{A}$	30			V
Reverse Current	I_R	$V_R = 28 \text{V}$			10	nA
Capacitance	C_{2V}	$f = 1 \text{MHz}; V_R = 2 \text{V}$	4.2		5.7	pF
	C_{25V}	$f = 1 \text{MHz}; V_R = 25 \text{V}$	0.53		0.68	
Capacitance Ratio	C_{2V}/C_{25V}		7.3			
Series Resistance	r_s	$V_R = 5\text{V}, f = 470 \text{MHz}$		1.9	2.3	Ω

Note :

Available in matched group for capacitance to 6%.

$$\frac{C(\text{Max.})-C(\text{Min.})}{C(\text{Min.})} \leq 0.06$$

($V_R=2\sim 25\text{V}$)

■ Marking

Marking	UP
---------	----