

SMD Type

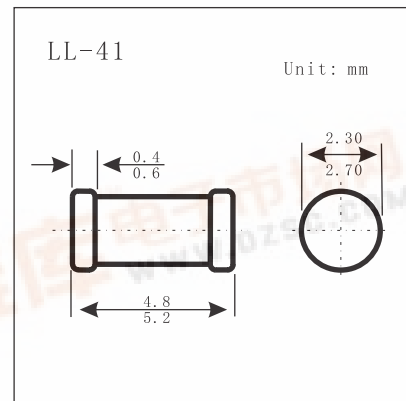
Diodes

Surface Mount Schottky Barrier Rectifiers

KLL5817 - KLL5819

■ Features

- Surge Overload Ratings to 25 Amperes Peak
- Ideal for Printed Circuit Board
- Reliable Low Cost Construction Utilizing Molded Plastic Technique  
Results in Inexpensive Product



■ Maximum Ratings and Electrical Characteristics @ Ta = 25°C

Parameter	Symbol	Rating			Unit
		KLL5817	KLL5818	KLL5819	
Maximum Recurrent Peak Reverse Voltage	VRRM	20	30	40	V
Maximum RMS Voltage	VRMS	14	21	28	V
Maximum DC Blocking Voltage	VDC	20	30	40	V
Maximum Average Forward Rectified Current @TL = 90°C	I(AV)	1.0			A
Peak Forward Surge Current, 8.3ms Single Half Sine-wave Superimposed on Rated Load (JEDEC method)	IFSM	25			A
Maximum DC Reverse Current @ TA = 25°C at Rated DC Blocking Voltage @ TA = 100°C	IR	1.0 10			mA
Maximum Instantaneous Forward Voltage @ 1.0A @ 3.0A	VF	0.45 0.75	0.55 0.875	0.60 0.90	V
Typical Junction Capacitance (*1)	CJ	110			pF
Typical Thermal Resistance (*2)	RθJA	80			°C/W
Operating and Storage Temperature Range	Tj,TSTG	-65 to +125 / -65 to +150			°C

\*1. Measured at 1MHz and Applied Reverse Voltage of 4.0 Volts D.C.

\*2. Thermal Resistance Junction to Ambient.