

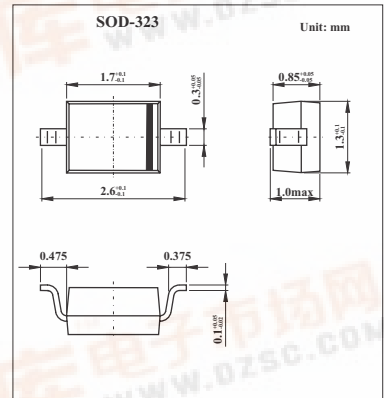
SMD Type Diodes

## Silicon Epitaxial Planar Diode

### 1SV313

■ Features

- High Capacitance Ratio:  $C_{0.5V}/C_{0.25V}=2.1$  (Typ.)
- Low Series Resistance:  $r_s=0.35 \Omega$  (Typ.)
- Useful for Small Size Tuner



■ Absolute Maximum Ratings  $T_a = 25^\circ C$

Parameter	Symbol	Value	Unit
Reverse Voltage	$V_R$	10	V
Junction Temperature	$T_j$	125	$^\circ C$
Storage Temperature Range	$T_{stg}$	-55 to +125	$^\circ C$

■ Electrical Characteristics  $T_a = 25^\circ C$

Parameter	Symbol	Conditions	Min	Typ	Max	Unit
Reverse Voltage	$V_R$	$I_R = 1 \mu A$	10			V
Reverse Current	$I_R$	$V_R = 10 V$			3	nA
Capacitance	$C_{0.5V}$	$f = 1 MHz; V_R = 0.5 V$	7.3		8.4	pF
	$C_{0.25V}$	$f = 1 MHz; V_R = 0.25 V$	2.75		3.4	
Capacitance Ratio	$C_{0.5V}/C_{0.25V}$		2.4	2.5		
Series Resistance	$r_s$	$V_R = 1V, f = 470 MHz$		0.35		$\Omega$

■ Marking

Marking	V6
---------	----