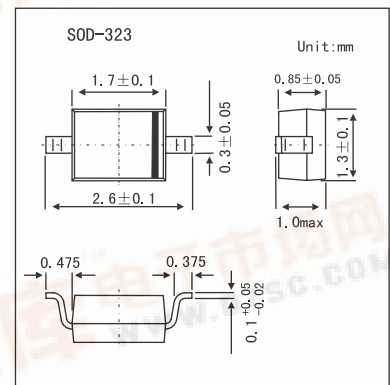


SMD Type Diodes

Surface Mount Zener Diodes BZT52C2V0S - BZT52C39S

■ Features

- Planar Die Construction
- Ultra-Small Surface Mount Package
- Ideally Suited for Automated Assembly Processes



■ Absolute Maximum Ratings (Ta = 25°C)

Parameter	Symbol	Rating	Unit
Power dissipation	P	200	mW
Thermal Resistance, Junction to Ambient Air	R _{θJA}	625	°C/W
Forward Voltage @ If = 10mA	V _F	0.9	V
Junction temperature	T _j	150	°C
Storage temperature	T _{stg}	-65 to +150	°C

BZT52C2V0S - BZT52C39S

■ Electrical Characteristics (Ta = 25°C)

Type	Zener voltage Vz (V)			Maximum Zener Impedance			Maximum Reverse Current		Temperature Coefficient of Zener Voltage @ IZTC = 5mA (mV/°C)		Marking	
	Nom.	Min.	Max.	Iz (mA)	ZzT @ IZT (Ω)	Zzk @ Izk (Ω)	Izk (mA)	IR (μA)	@ VR (V)	Min.		Max.
BZT52C2V0S	2.0	1.91	2.09	5	100	600	1.0	150	1.0	-3.5	0	WY
BZT52C2V4S	2.4	2.2	2.6	5	100	600	1.0	50	1.0	-3.5	0	WX
BZT52C2V7S	2.7	2.5	2.9	5	100	600	1.0	20	1.0	-3.5	0	W1
BZT52C3V0S	3.0	2.8	3.2	5	95	600	1.0	10	1.0	-3.5	0	W2
BZT52C3V3S	3.3	3.1	3.5	5	95	600	1.0	5.0	1.0	-3.5	0	W3
BZT52C3V6S	3.6	3.4	3.8	5	90	600	1.0	5.0	1.0	-3.5	0	W4
BZT52C3V9S	3.9	3.7	4.1	5	90	600	1.0	3.0	1.0	-3.5	0	W5
BZT52C4V3S	4.3	4.0	4.6	5	90	600	1.0	3.0	1.0	-3.5	0	W6
BZT52C4V7S	4.7	4.4	5.0	5	80	500	1.0	3.0	2.0	-3.5	0.2	W7
BZT52C5V1S	5.1	4.8	5.4	5	60	480	1.0	2.0	2.0	-2.7	1.2	W8
BZT52C5V6S	5.6	5.2	6.0	5	40	400	1.0	1.0	2.0	-2	2.5	W9
BZT52C6V2S	6.2	5.8	6.6	5	10	150	1.0	3.0	4.0	0.4	3.7	WA
BZT52C6V8S	6.8	6.4	7.2	5	15	80	1.0	2.0	4.0	1.2	4.5	WB
BZT52C7V5S	7.5	7.0	7.9	5	15	80	1.0	1.0	5.0	2.5	5.3	WC
BZT52C8V2S	8.2	7.7	8.7	5	15	80	1.0	0.7	5.0	3.2	6.2	WD
BZT52C9V1S	9.1	8.5	9.6	5	15	100	1.0	0.5	6.0	3.8	7.0	WE
BZT52C10S	10	9.4	10.6	5	20	150	1.0	0.2	7.0	4.5	8.0	WF
BZT52C11S	11	10.4	11.6	5	20	150	1.0	0.1	8.0	5.4	9.0	WG
BZT52C12S	12	11.4	12.7	5	25	150	1.0	0.1	8.0	6.0	10.0	WH
BZT52C13S	13	12.4	14.1	5	30	170	1.0	0.1	8.0	7.0	11.0	WI
BZT52C15S	15	13.8	15.6	5	30	200	1.0	0.1	10.5	9.2	13.0	WJ
BZT52C16S	16	15.3	17.1	5	40	200	1.0	0.1	11.2	10.4	14.0	WK
BZT52C18S	18	16.8	19.1	5	45	225	1.0	0.1	12.6	12.4	16.0	WL
BZT52C20S	20	18.8	21.2	5	55	225	1.0	0.1	14.0	14.4	18.0	WM
BZT52C22S	22	20.8	23.3	5	55	250	1.0	0.1	15.4	16.4	20.0	WN
BZT52C24S	24	22.8	25.6	5	70	250	1.0	0.1	16.8	18.4	22.0	WO
BZT52C27S	27	25.1	28.9	2	80	300	0.5	0.1	18.9	21.4	25.3	WP
BZT52C30S	30	28.0	32.0	2	80	300	0.5	0.1	21.0	24.4	29.4	WQ
BZT52C33S	33	31.0	35.0	2	80	325	0.5	0.1	23.1	27.4	33.4	WR
BZT52C36S	36	34.0	38.0	2	90	350	0.5	0.1	25.2	30.4	37.4	WS
BZT52C39S	39	37.0	41.0	2	130	350	0.5	0.1	27.3	33.4	41.2	WT