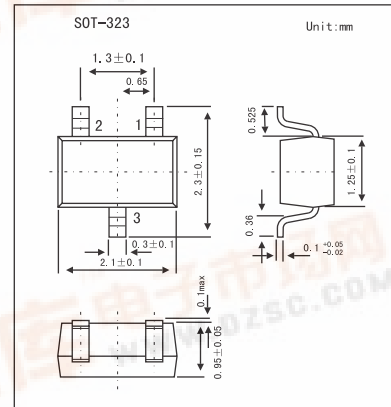


SMD Type Diodes

PIN Diode for VHF,UHF,AGC Applications
1SV246

Features

- Series connection of 2 elements in a very small-sized package facilitates high-density mounting and permits 1SV246-applied equipment to be made smaller.
- Small interterminal capacitance (C=0.23pF typ).
- Small forward series resistance (rs=5 Ω typ).



Absolute Maximum Ratings Ta = 25°C

Parameter	Symbol	Value	Unit
Reverse Voltage	V _R	50	V
Forward Current	I _F	50	mA
Allowable Power Dissipation	P	100	mW
Junction Temperature	T _j	125	°C
Storage temperature	T _{stg}	-55 to +125	°C

Electrical Characteristics Ta = 25°C

Parameter	Symbol	Conditions	Min	Typ	Max	Unit
Reverse Voltage	V _R	I _R = 10 μA	50			V
Reverse Current	I _R	V _R = 50 V			0.1	μA
Forward Voltage	V _F	I _F = 50 mA		0.95		V
Interterminal Capacitance	C	V _R = 50 V, f = 1 MHz		0.23		pF
Series Resistance	r _s	I _F = 10 mA, f = 100 MHz		5.0		Ω

Marking

Marking	CV
---------	----