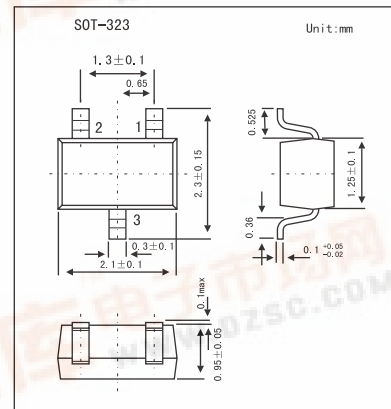


SMD Type Diodes

PIN Diode for VHF,UHF,AGC Applications  
1SV263

■ Features

- Very small-sized package facilitates high-density mounting and permits 1SV249-applied equipment to be made smaller.
- Small interterminal capacitance (C=0.23pF typ).
- Small forward series resistance (rs=2.5 Ω typ).



■ Absolute Maximum Ratings Ta = 25°C

Parameter	Symbol	Value	Unit
Reverse Voltage	V <sub>R</sub>	50	V
Forward Current	I <sub>F</sub>	50	mA
Allowable Power Dissipation	P	100	mW
Junction Temperature	T <sub>j</sub>	125	°C
Storage temperature	T <sub>stg</sub>	-55 to +125	°C

■ Electrical Characteristics Ta = 25°C

Parameter	Symbol	Conditions	Min	Typ	Max	Unit
Reverse Voltage	V <sub>R</sub>	I <sub>R</sub> = 10 μA	50			V
Reverse Current	I <sub>R</sub>	V <sub>R</sub> = 50 V			0.1	μA
Forward Voltage	V <sub>F</sub>	I <sub>F</sub> = 50 mA		0.91		V
Interterminal Capacitance	C	V <sub>R</sub> = 50 V, f = 1 MHz		0.23		pF
Series Resistance	r <sub>s</sub>	I <sub>F</sub> = 5 mA, f = 100 MHz		4.0		Ω
		I <sub>F</sub> = 10 mA, f = 100 MHz		2.5		

■ Marking

Marking	JV
---------	----