

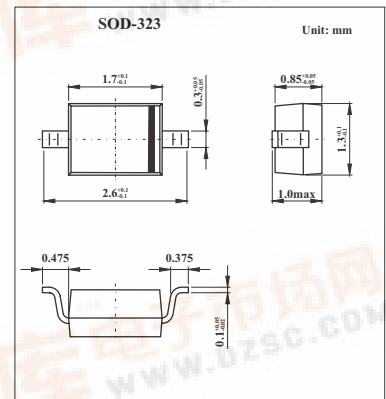
SMD Type Diodes

Silicon PIN Diode

BA596

Features

- Current-controlled RF resistor for switching and attenuating applications.
- Frequency range 1 MHz ... 2 GHz
- Frequency range above 1 MHz
- Designed for low IM distortion



Absolute Maximum Ratings Ta = 25°C

Parameter	Symbol	Value	Unit
Reverse voltage	V _R	50	V
Forward current	I _F	50	mA
Operating temperature range	T _{op}	-55 to +125	°C
Storage temperature range	T _{stg}	-55 to +150	°C
Junction - ambient	R _{thJA}	≤ 450	K/W

Electrical Characteristics Ta = 25°C

Parameter	Symbol	Conditions	Min	Typ	Max	Unit
Forward voltage	V _F	I _F = 50 mA			1.15	V
Reverse current	I _R	V _R = 50 V			50	nA
Diode capacitance	C _T	f = 1 MHz, V _R = 50 V		0.23	0.35	pF
		f = 100 MHz, V _R = 0 V		0.2		
Forward resistance	r _f	f = 100 MHz				Ω
		I _F = 10 μA		2400		
		I _F = 1 mA		58		
		I _F = 10 mA	6.5	7.8	10	
Zero bias conductance	g _p	f = 100 MHz, V _R = 0 V		40		μ S
Series inductance	L _s			2		nH

Marking

Marking	white P
---------	---------