

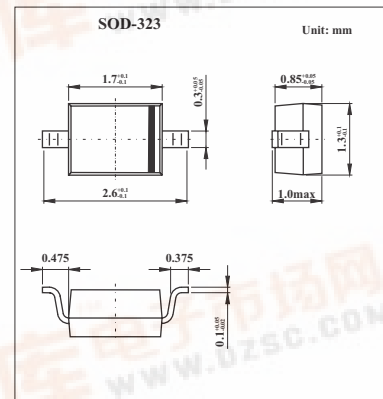
SMD Type Diodes

Silicon PIN Diode

BA597

Features

- RF switch, RF attenuator for frequencies above 10 MHz
- Very low IM distortion



Absolute Maximum Ratings Ta = 25°C

Parameter	Symbol	Value	Unit
Reverse voltage	V _R	50	V
Forward current	I _F	100	mA
Total power dissipation T _s ≤ 40°C ¹⁾	T _{tot}	250	mW
Junction temperature	T _j	150	°C
Storage temperature range	T _{stg}	-55 to +150	°C

Note:

1.Package mounted on aluminum 15 mm × 16.7 mm × 0.7 mm.

Electrical Characteristics Ta = 25°C

Parameter	Symbol	Conditions	Min	Typ	Max	Unit
Reverse current	I _R	V _R = 30 V			20	nA
Forward voltage	V _F	I _F = 100 mA		0.9		V
Diode capacitance	C _T	V _R = 10 V, f = 1 MHz		0.52		pF
		V _R = 0 V, f = 100 MHz		0.27		
Forward resistance	r _f	I _F = 1.5 mA, f = 100 MHz		22		Ω
		I _F = 10 mA, f = 100 MHz		4.2		
Charge carrier lifetime	τ _L	I _F = 10 mA, I _R = 6 mA, I _R = 3 mA		2.5		μs

Marking

Marking	yellow R
---------	----------