

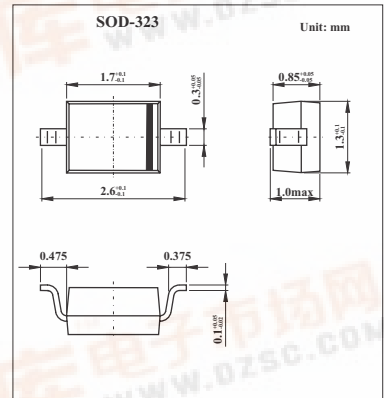
SMD Type Diodes

## Silicon Epitaxial Planar Diode

### 1SV293

■ Features

- Ultra Low Series Resistance:  $r_s = 0.26 \Omega$  (Typ.)
- Useful for small size Set



■ Absolute Maximum Ratings  $T_a = 25^\circ\text{C}$

| Parameter                 | Symbol    | Value       | Unit             |
|---------------------------|-----------|-------------|------------------|
| Reverse Voltage           | $V_R$     | 10          | V                |
| Junction Temperature      | $T_j$     | 125         | $^\circ\text{C}$ |
| Storage Temperature Range | $T_{stg}$ | -55 to +125 | $^\circ\text{C}$ |

■ Electrical Characteristics  $T_a = 25^\circ\text{C}$

| Parameter         | Symbol          | Conditions                           | Min  | Typ  | Max  | Unit     |
|-------------------|-----------------|--------------------------------------|------|------|------|----------|
| Reverse Voltage   | $V_R$           | $I_R = 1 \mu\text{A}$                | 10   |      |      | V        |
| Reverse Current   | $I_R$           | $V_R = 10\text{V}$                   |      |      | 3    | nA       |
| Capacitance       | $C_{1V}$        | $f = 1\text{MHz}; V_R = 1\text{V}$   | 18   |      | 20   | pF       |
|                   | $C_{4V}$        | $f = 1\text{MHz}; V_R = 4\text{V}$   | 10.1 |      | 11.6 |          |
| Capacitance Ratio | $C_{1V}/C_{4V}$ |                                      | 1.55 |      |      |          |
| Series Resistance | $r_s$           | $V_R = 1\text{V}, f = 470\text{MHz}$ |      | 0.26 | 0.4  | $\Omega$ |

■ Marking

|         |    |
|---------|----|
| Marking | TH |
|---------|----|