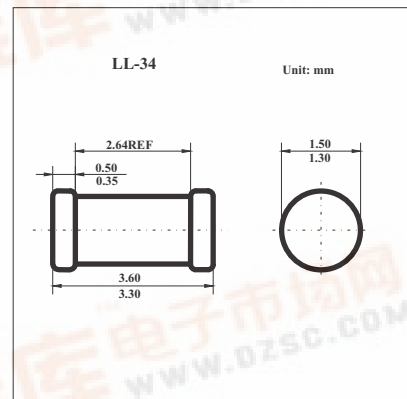


SMD Type Diodes

UHF Variable Capacitance Diode
BB215

Features

- Excellent linearity
- Matched to 3%
- Small hermetically sealed glass SMD package
- C28: 2 pF; ratio: 8.3
- Low series resistance.



Absolute Maximum Ratings Ta = 25°C

Parameter	Symbol	Min	Max	Unit
continuous reverse voltage	VR		30	V
continuous forward current	IF		20	mA
storage temperature	Tstg	-55	+150	°C
operating ambient temperature	Tamb	-55	+100	°C

Electrical Characteristics Ta = 25°C

Parameter	Symbol	Conditions	Min	Typ	Max	Unit
reverse current	IR	VR = 28 V			10	nA
		VR = 28 V; Tj = 85°C			200	
diode series resistance	VBR(R)	f = 470 MHz; note 1			0.75	Ω
diode capacitance	Cd	VR = 1 V; f = 1 MHz		16.5	18	pF
		VR = 28 V; f = 1 MHz	1.8		2.2	
capacitance ratio	Cd(1V)/Cd(28V)	f = 1 MHz	7.6	8.3		
capacitance matching	ΔCd / Cd	VR = 0.5 to 28 V			3	%

Note

1. VR is the value at which Cd = 9 pF.

