

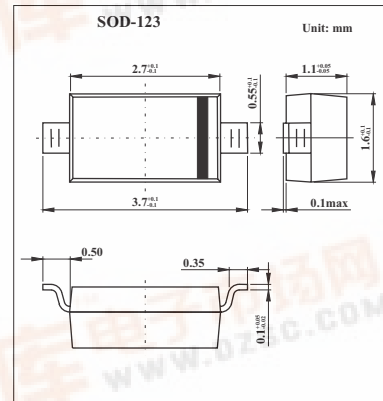
SMD Type Diodes

Variable Capacitance Diode for VCO

HVD369B

■ Features

- Low capacitance and to be usable at GHz.
- High capacitance ratio. (n = 2.3 min)
- Low series resistance. (r = 0.5 Ω max)
- Super small Flat Package (SFP) is suitable for surface mount design.



■ Absolute Maximum Ratings Ta = 25 °C

Parameter	Symbol	Value	Unit
Reverse Voltage	V _R	15	V
Junction temperature	T _j	125	°C
Storage temperature	T _{stg}	-55 to +125	°C

■ Electrical Characteristics Ta = 25 °C

Parameter	Symbol	Conditions	Min	Typ	Max	Unit
Reverse current	I _{R1}	V _R = 15 V			10	nA
	I _{R2}	V _R = 15 V, Ta = 60 °C			100	
Capacitance	C ₁	V _R = 1 V, f = 1 MHz	4.65		5.15	pF
	C ₄	V _R = 4 V, f = 1 MHz	1.85		2.15	
Capacitance ratio	n	C ₁ / C ₄	2.3			
Series resistance	r _s	V _R = 4 V, f = 470 MHz			0.5	Ω

■ Marking

Marking	D
---------	---