

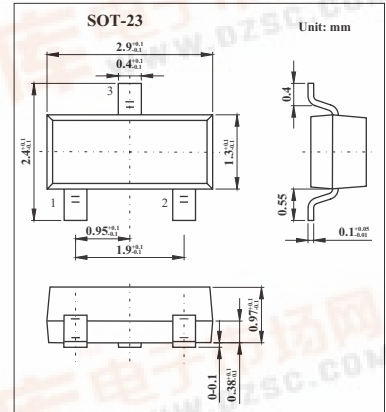
SMD Type Diodes

Schottky Barrier Diodes

MA3XD21

■ Features

- $I_{F(AV)} = 1$ A rectification is possible
- Low forward voltage V_F
- Mini type 3-pin package



■ Absolute Maximum Ratings $T_a = 25^\circ\text{C}$

Parameter	Symbol	Rating	Unit
Reverse voltage (DC)	V_R	15	V
Peak reverse voltage	I_{RRM}	15	V
Average forward current (Note 1)	$I_{F(AV)}$	1	A
Non-repetitive peak forward surge current (Note 2)	I_{FSM}	3	A
Junction temperature	T_j	125	$^\circ\text{C}$
Storage temperature	T_{stg}	-55 to+ 125	$^\circ\text{C}$

Note

1: Mounted on a alumina PC board

2: The peak-to-peak value in one cycle of 50 Hz sine wave (non-repetitive)

■ Electrical Characteristics $T_a = 25^\circ\text{C}$

Parameter	Symbol	Conditions	Min	Typ	Max	Unit
Reverse current (DC)	I_R	$V_R = 6$ V			1.5	mA
Forward voltage (DC)	V_F	$I_F = 1$ A			0.4	V
Terminal capacitance	C_t	$V_R = 0$ V, $f = 1$ MHz		180		pF
Reverse recovery time*	t_{rr}	$I_F = I_R = 100$ mA, $I_{rr} = 10$ mA, $R_L = 100 \Omega$		12		ns

Note

1. This product is sensitive to electric shock (static electricity, etc.).Due attention must be paid on the charge of a human body and the leakage of current from the operating equipment.

2. Rated input/output frequency: 400 MHz

■ Marking

Marking	M6F
---------	-----