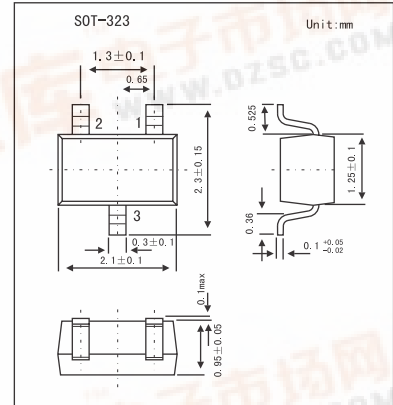
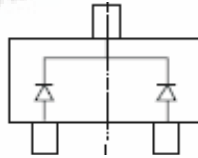


SMD Type Diodes

Dual Surface Mount Switching Diode  
KAV70W(BAV70W)

Features

- Fast Switching Speed
- Ultra-Small Surface Mount Package
- For General Purpose Switching Applications
- High Conductance



Absolute Maximum Ratings Ta = 25°C

Parameter	Symbol	Rating	Unit
Non-Repetitive Peak Reverse Voltage	V <sub>RM</sub>	100	V
Peak Repetitive Reverse Voltage	V <sub>RRM</sub>		
Working Peak Reverse Voltage	V <sub>RWM</sub>	75	V
DC Blocking Voltage	V <sub>R</sub>		
RMS Reverse Voltage	V <sub>R(RMS)</sub>	50	V
Average Rectified Output Current	I <sub>o</sub>	150	mA
Forward Continuous Current	I <sub>FM</sub>	300	mA
Non-Repetitive Peak Forward Surge Current @ t = 1.0 μs	I <sub>FSM</sub>	2.0	A
@ t = 1.0s		1.0	
Power Dissipation	P <sub>d</sub>	200	mW
Thermal Resistance Junction to Ambient Air	R <sub>θJA</sub>	625	K/W
Operating and Storage Temperature Range	T, T <sub>STG</sub>	-65 to +150	°C

Electrical Characteristics Ta = 25°C

Parameter	Symbol	Testconditions	Min	Typ	Max	Unit
Reverse Breakdown Voltage	V <sub>(BR)R</sub>	I <sub>F</sub> = 10 μA	75			V
Forward Voltage	V <sub>F</sub>	I <sub>F</sub> = 1.0mA I <sub>F</sub> = 10mA I <sub>F</sub> = 50mA I <sub>F</sub> = 150mA			0.715 0.855 1.0 1.25	V
Peak Reverse Current	I <sub>RM</sub>	V <sub>R</sub> = 75V V <sub>R</sub> = 75V, T <sub>j</sub> = 150°C V <sub>R</sub> = 25V, T <sub>j</sub> = 150°C V <sub>R</sub> = 20V			2.5 50 30 25	μA μA μA nA
Junction Capacitance	C <sub>j</sub>	V <sub>R</sub> = 0, f = 1.0MHz			2	pF
Reverse Recovery Time	t <sub>rr</sub>	I <sub>F</sub> = I <sub>R</sub> = 10mA, I <sub>rr</sub> = 0.1 X I <sub>R</sub> , R <sub>L</sub> = 100 Ω			4	ns

Marking

Marking	KJA
---------	-----

