

捷多邦, 专业PCB打样工厂, 24小时加急出货

AV262X-40 代理商

MODEL SPECIFICATIONS

MECHANICAL

MODEL NUMBER(S):

AV262D-40
AV262E-40

MATERIAL:

6061/T-6 ALUM.
STAINLESS STEEL

CONNECTORS:

UNIQUE CORROSION RESISTANT
316 STAINLESS STEEL EPOXY
COATING

CONNECTORS:

SMA-FEMALE

ELECTRICAL

FREQ. RANGE:

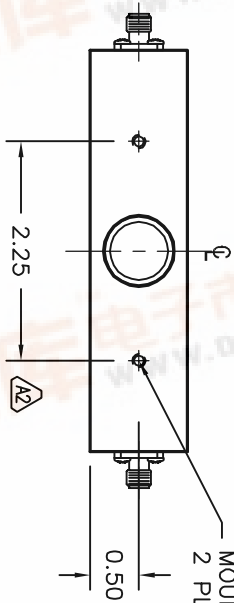
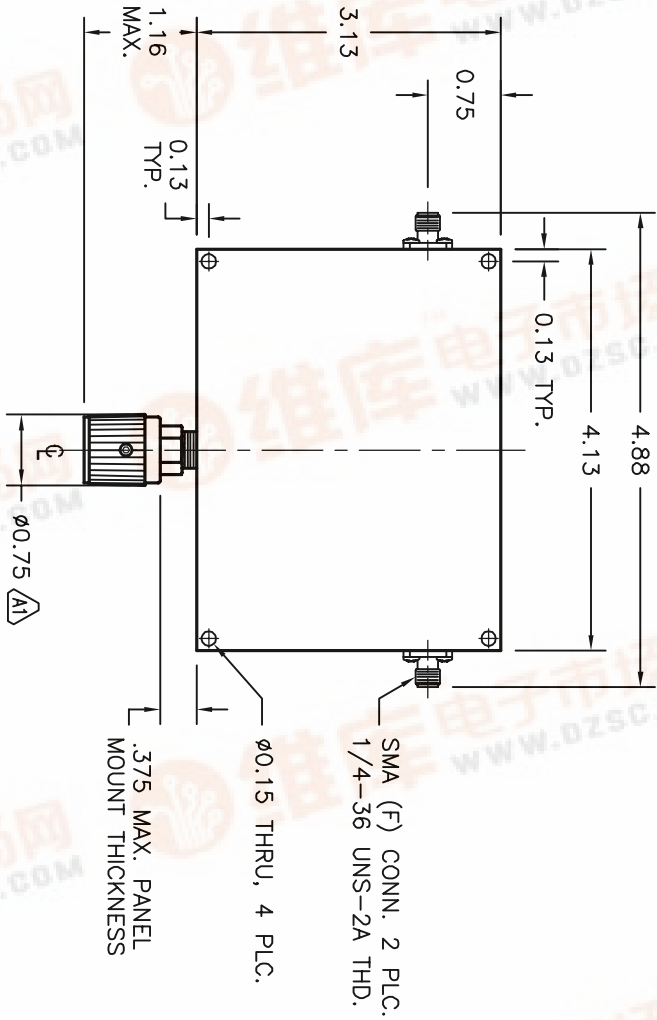
0.85 - 2.5 GHz
0.85 - 4.0 GHz

VSWR:

1.5 MAX.

ATTENUATION RANGE:

40dB
0.5dB MAX.



REV	AUTH	DATE	INITIAL RELEASE
1	RTK	04/19/00	
REV	AUTH	DATE	FORMAT UPDATE: SPECS ADDED.
A	RL	07/25/06	Δ1 KNOB WAS Ø1.25" Δ2 WAS: 3.00"

THIRD ANGLE PROJECTION:	APPROVALS	DATE
UNLESS OTHERWISE NOTED, DIMENSIONS ARE IN INCHES. TOLERANCES ARE: FRACTIONS: ±1/64 ANGLES: ±1/2°	RL	07/25/06
BASIC DIMENSION UNDER 6"	DECIMALS ±.005	ARRVD.
6" - 12"	±.03	MATERIAL TREATMENT
OVER 12"	±.06	FINISH SEE SPECS



ADVANCED TECHNICAL MATERIALS, LLC
TEL: (631) 289-4383 FAX: (631) 289-4388
WWW.ATMTECHMATERIALS.COM

OUTLINE, AV262X-40 ATTENUATOR SMA

SIZE A	CAGE CODE 08R8N4	ATM DWG # 2632	REV
SCALE 1 : 2	MODEL #	SEE SPECS	SHE