

捷多邦, 专业PCB打样工厂, 24小时加急出货

AV262D-40 供应商

**MODEL SPECIFICATIONS**

**MECHANICAL**

MODEL NUMBER(S):

AV262D-40N/F  
AV262E-40N/F

MATERIAL:

6061/T-6 ALUM.  
STAINLESS STEEL

FINISH:

UNIQUE CORROSION RESISTANT  
316 STAINLESS STEEL EPOXY  
COATING

CONNECTORS:

SMA-FEMALE

**ELECTRICAL**

FREQ. RANGE:

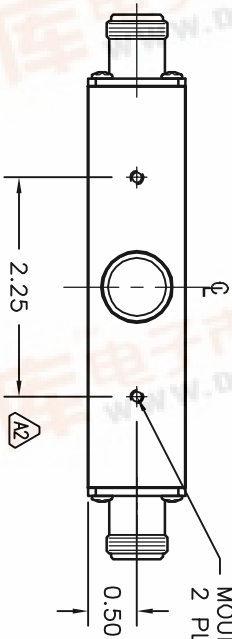
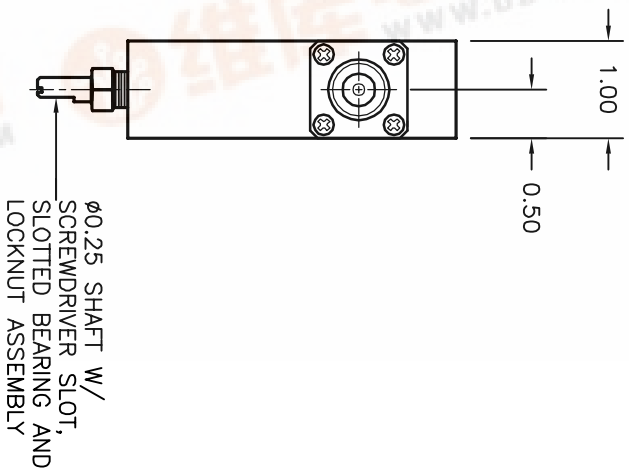
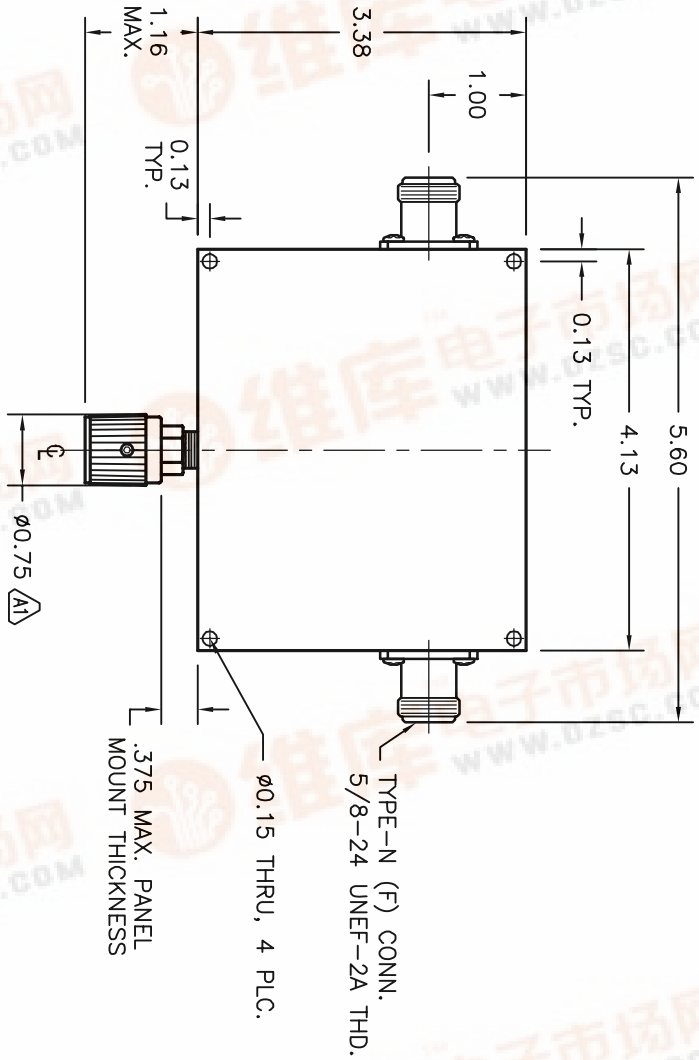
0.85 - 2.5 GHz  
0.85 - 4.0 GHz

VSWR:

1.5 MAX.

ATTENUATION RANGE:

40dB  
0.5dB MAX.



REV	AUTH	DATE	INITIAL RELEASE
1	RTK	04/19/00	
REV	AUTH	DATE	FORMAT UPDATE: SPECS ADDED.
A	RL	07/25/06	A1 KNOB WAS Ø1.25" A2 WAS: 3.00"

THIRD ANGLE PROJECTION:	APPROVALS	DATE
UNLESS OTHERWISE NOTED, DIMENSIONS ARE IN INCHES. TOLERANCES ARE: FRACTIONS: ±1/64 ANGLES: ±1/2°	DRAWN <b>RL</b>	07/25/06
BASIC DIMENSION UNDER 6"	DECIMALS ±.005	ARRVD.
6" - 12"	±.03	MATERIAL <b>SEE SPECS</b>
OVER 12"	±.06	TREATMENT <b>SEE SPECS</b>
	FINISH <b>SEE SPECS</b>	

**ATM**  
ADVANCED TECHNICAL MATERIALS, LLC  
TEL: (631) 289-0383 FAX: (631) 289-4668  
WWW.ATMTECHMATERIALS.COM

**OUTLINE, TYPE-N**  
AV262X-40 ATTENUATOR

SIZE	CAGE CODE	ATM DWG #	REV
A	08R84	2631	1
SCALE	MODEL #	SEE SPECS	SHE
1 : 2			